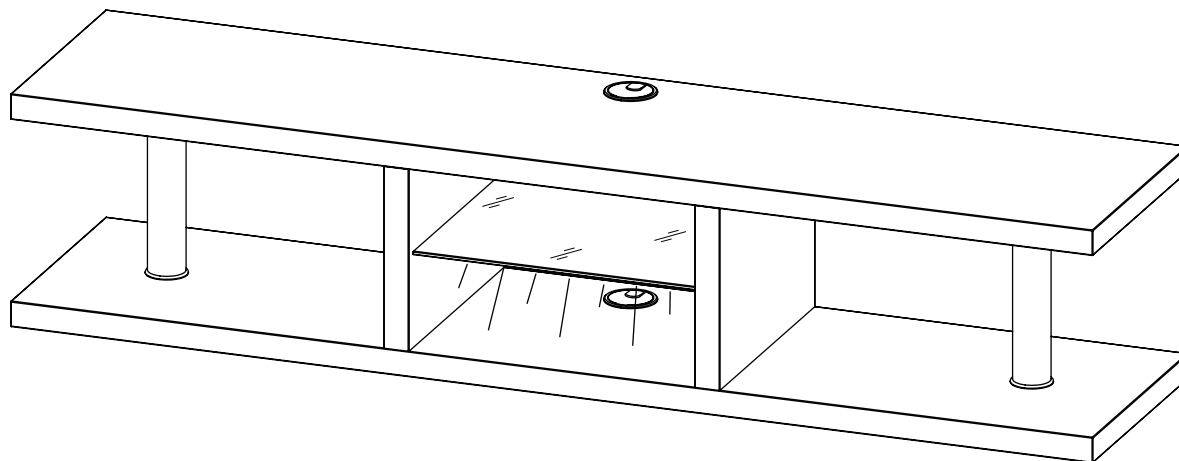


POLAR HIGH GLOSS WALL MOUNTED LED TV UNIT ASSEMBLY INSTRUCTIONS

Thank you for purchasing the Polar TV Unit.

Please read the instructions carefully to ensure safe operation of this product



Size: 150 x 35 x 32 cm (WDH)

Colour: White or Grey

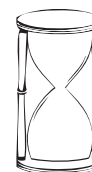
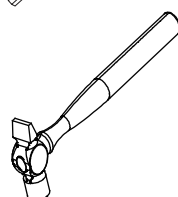
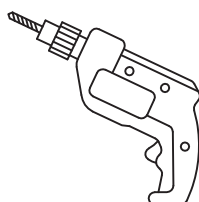
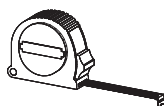
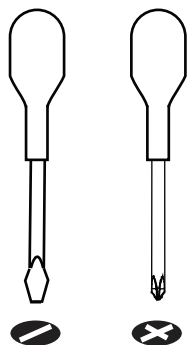
Finish: High Gloss

PLEASE READ this sheet prior to assembly to familiarise yourself with the various stages of construction.

Carefully open the pack supplied and check the contents against the parts and fittings check list. Do not destroy any of the packaging until you are certain that you have all the necessary parts for the assembly.

CAUTION: There are small components used in the construction of this unit. These loose items should be kept away from young children whilst assembling your unit to avoid the danger of choking.

Tools Required



1 Hr
Set Up

Version 2 - 201112

PO No: _____

IMPORTANT - READ CAREFULLY - RETAIN THESE INSTRUCTIONS FOR FUTURE REFERENCE.

INFORMATION

- This product is designed to hold 12 Kg in total, spread evenly over the whole unit.
- Do not exceed this weight.
- We recommend that this unit is assembled in the room intended for use.
- When you are ready to start, make sure that you have the right tools, plenty of space and a clean, dry area for assembly.
- Unwrap all packaging materials and place the components on top of the carton box or on a clean floor to prevent them from scratching.
- Check the pack and make sure you have all the parts listed.
- Ensure that this product is fully assembled as illustrated before use.
- Check all screws or bolts are tightened and inspect regularly
- Tools not included unless specified in parts list.

WARNINGS

- DO NOT use power tools to construct this product.
- DO NOT tighten screws until parts are assembled or as advised in this guide.
- DO NOT over tighten screws or bolts.
- DO NOT use this product if parts are missing, damaged or worn.

INSTALLATION WARNINGS

- In order to prevent the cabinet falling down this product must be installed with the wall hanging devices provided (O & Z) - do not use any other means to support the product.
- Carefully assess the suitability of the wall to ensure that the fastening device will withstand the load and forces generated. Walls can be quite different in construction so fixings are not supplied - choose the most suitable fixing for your wall type - if in doubt consult an expert.
- When drilling the wall always be sure the area to be drilled is free from hidden electrical wiring, water or gas pipes.
- The assembly of this product must be done carefully following the detailed stages in the Assembly Instruction.
- Installation of this product needs to be carried out in accordance with the following instructions, see Steps 6 & 7.

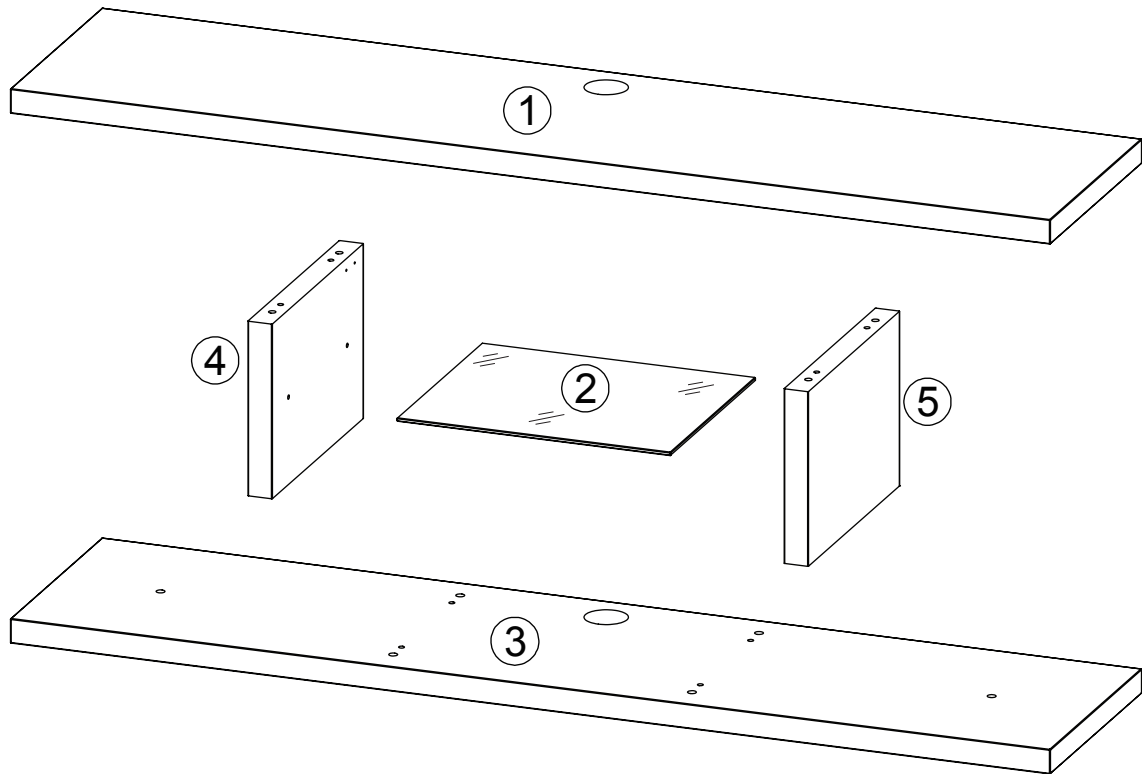
CARE INFORMATION

- To clean, wipe with a damp cloth.
- Never use scourers, abrasives or chemical cleaners.
- Do not use solvent based cleaners or detergents as they can bleach or damage the product.

Parts and Fittings Checklist

Please check the pack contents before assembling the product. If any components are missing, please contact your retailer.

The fittings pack contains small items that should be kept away from children.



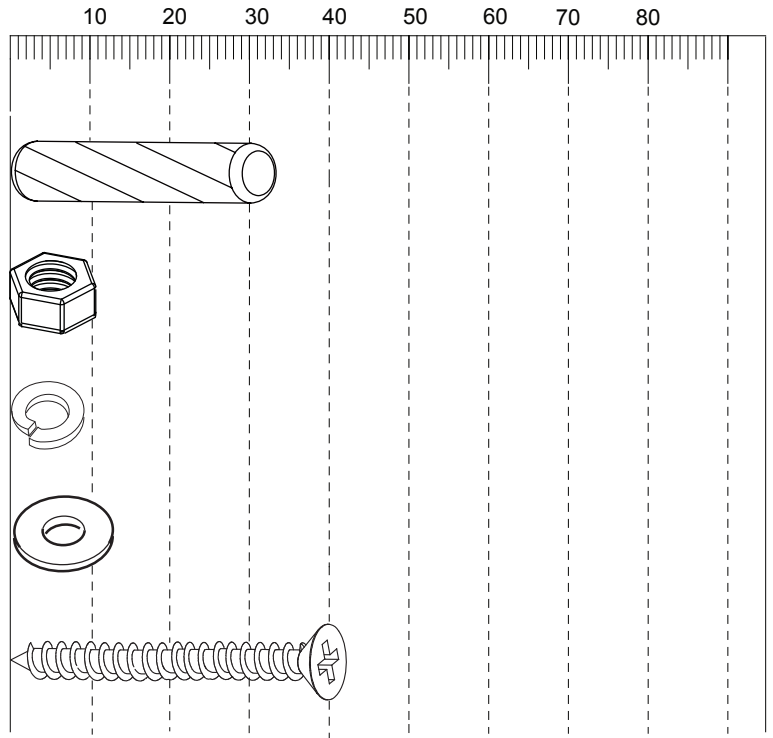
All parts are packed in one carton

1	2	3
Description: Top Panel Qty: 1 Size: 1500 x 350 x 35 mm Carton No: 1/1	Description: Glass Shelf Qty: 1 Size: 395 x 325 x 5 mm Carton No: 1/1	Description: Base Panel Qty: 1 Size: 1500 x 350 x 35 mm Carton No: 1/1
4	5	6
Description: LH Side Panel Qty: 1 Size: 348 x 250 x 35 mm Carton No: 1/1	Description: RH Side Panel Qty: 1 Size: 348 x 250 x 35 mm Carton No: 1/1	

POLAR HORIZONTAL WALL TV UNIT ASSEMBLY INSTRUCTIONS

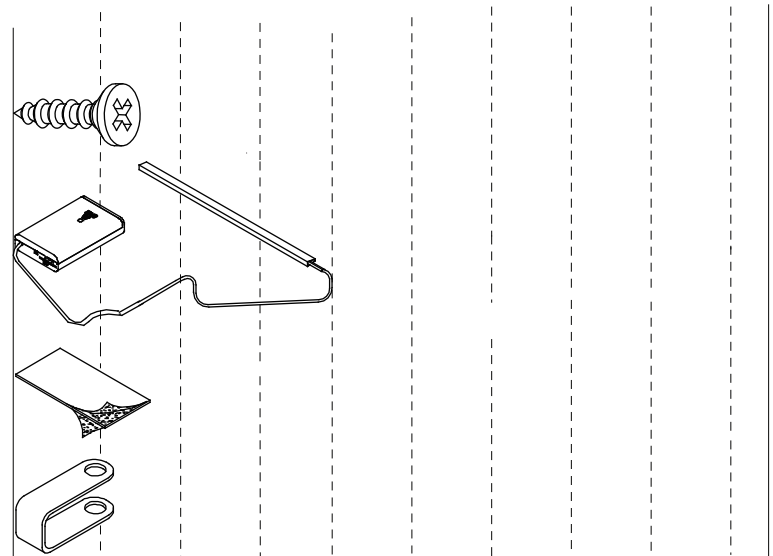
Fittings (to scale)

Code	Item	Quantity
C	Dowel 8x30mm	8
D	M6 Nut	6
E	Spring Washer For M6 Bolt	6
F	Flat Washer For M6 Bolt	6
S	Screw for Fitting Wall Hanging Support to Side Panel 4x40mm	4



Fittings (packed in each LED pack).

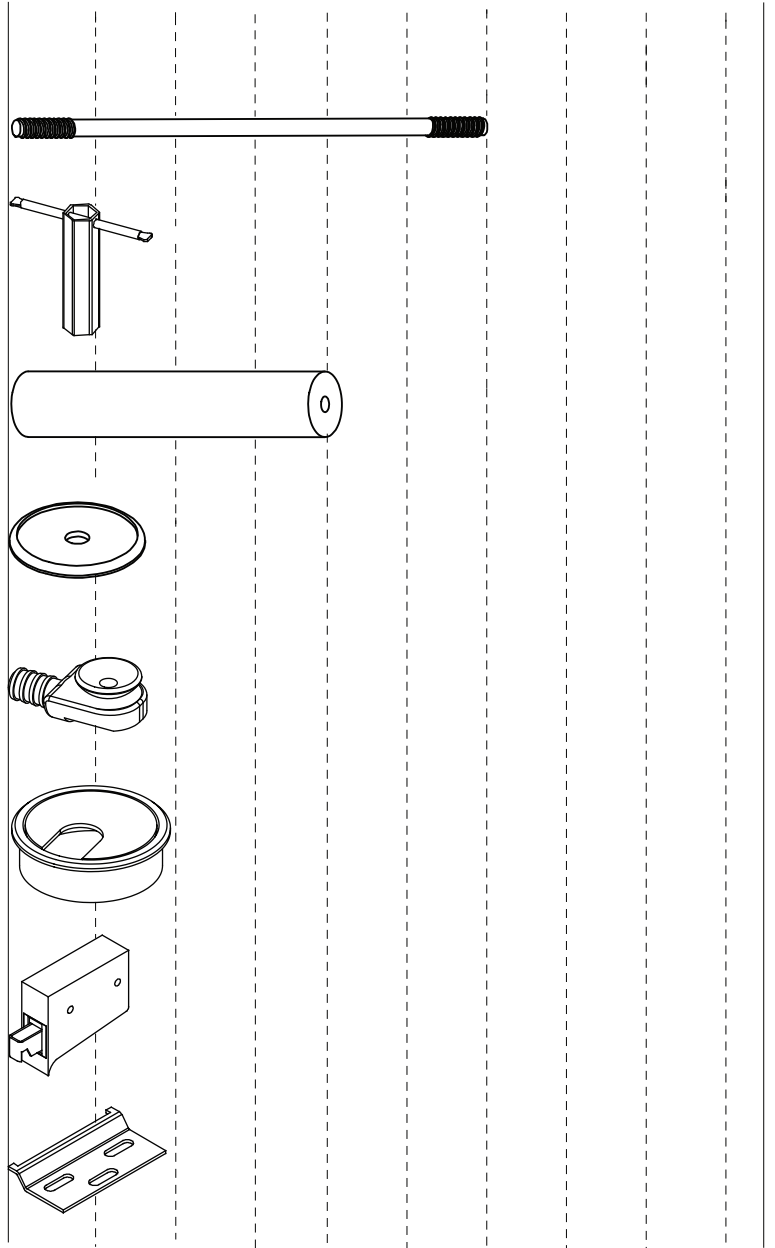
Code	Item	Quantity
G	Screw for LED/Cable Clips	2
H	Battery Box with Clip-on LED Strip (33 cm)	1
K	Sticky Pad	1
R	Cable Clip	2



POLAR HORIZONTAL WALL TV UNIT ASSEMBLY INSTRUCTIONS

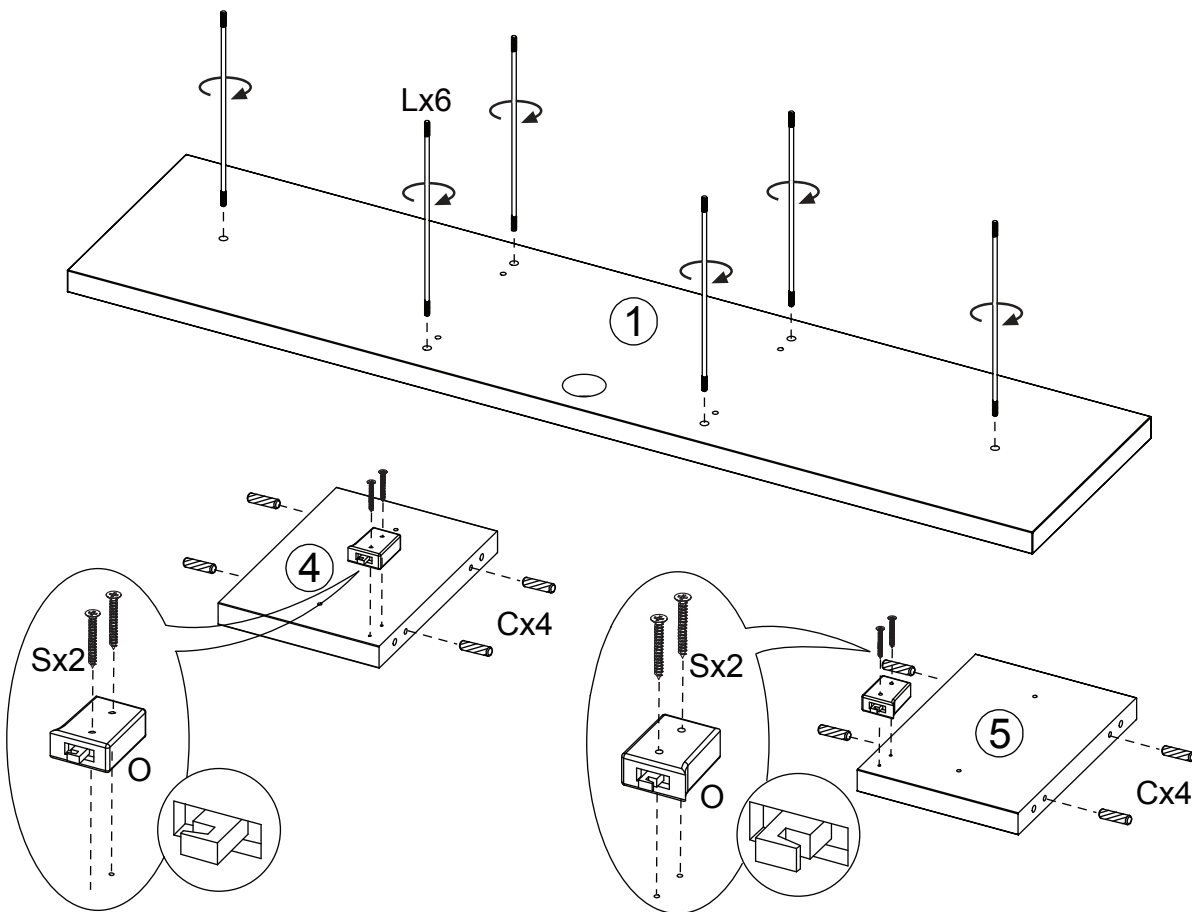
Fittings (not to scale)

Code	Item	Quantity
L	Long M6 Double Ended Bolt	6
M	M6 Box Spanner	1
N	Metal Tubular Support	2
P	Cover Cap for Tubular Support	4
X	Support for Glass Shelf (2)	4
Y	Cable Port	2
O	Wall Hanging Support (Fixed to Cabinet)	2
Z	Wall Hanging Bracket (Fixed to Wall)	2



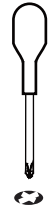
STEP 1

Place top (1) face down on a clean blanket or non-scratch surface
Screw in the 6 rods (L) until they stop - do not overtighten.

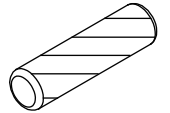


For this step:

Tools required



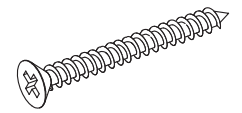
Fittings required



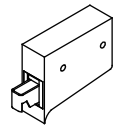
C x8



L x6

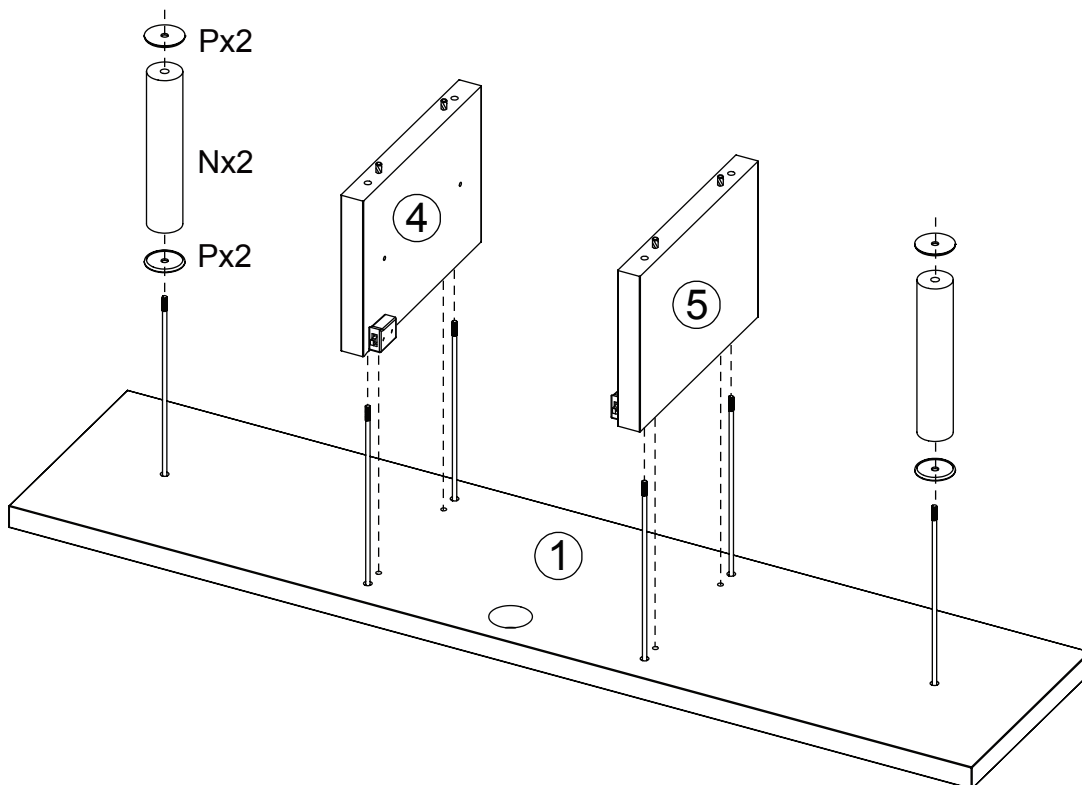


S x4



O x2

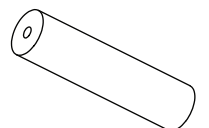
STEP 2



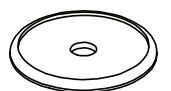
For this step:

Tools required

Fittings required

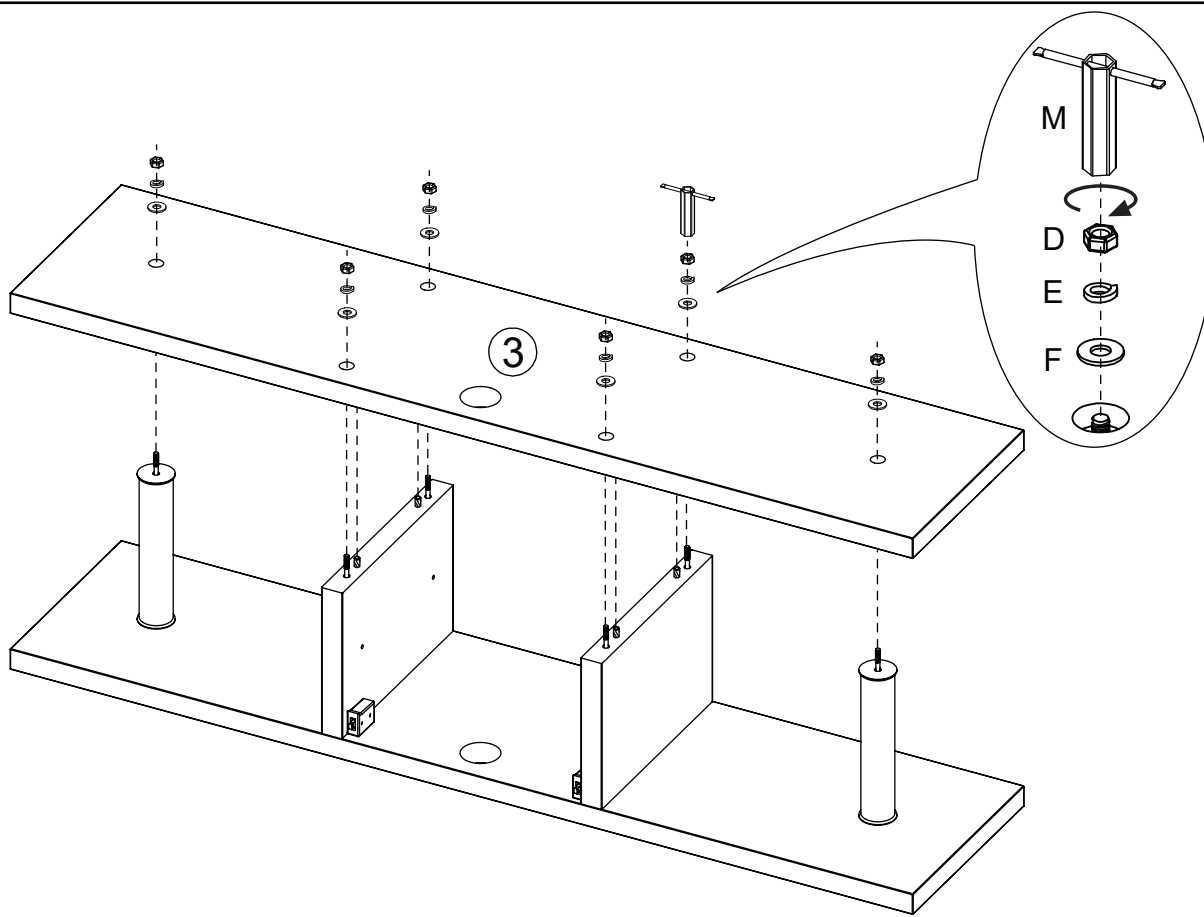


N x2

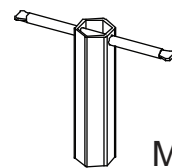


P x4

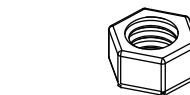
STEP 3



For this step:
Tools required



Fittings required



D x6

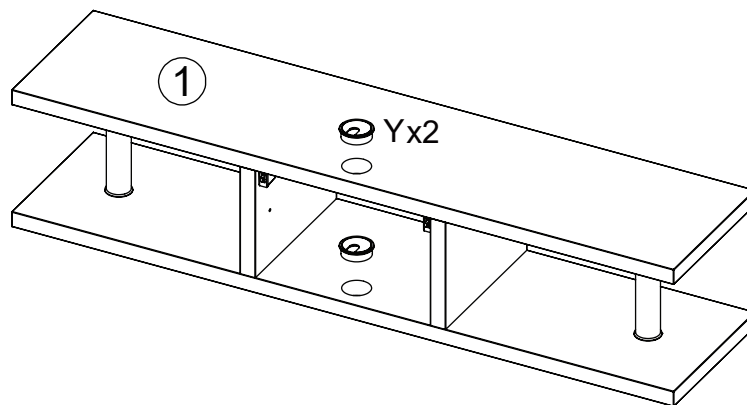


E x6



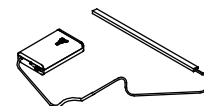
F x6

STEP 4

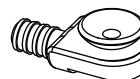


For this step:
Tools required

Fittings required



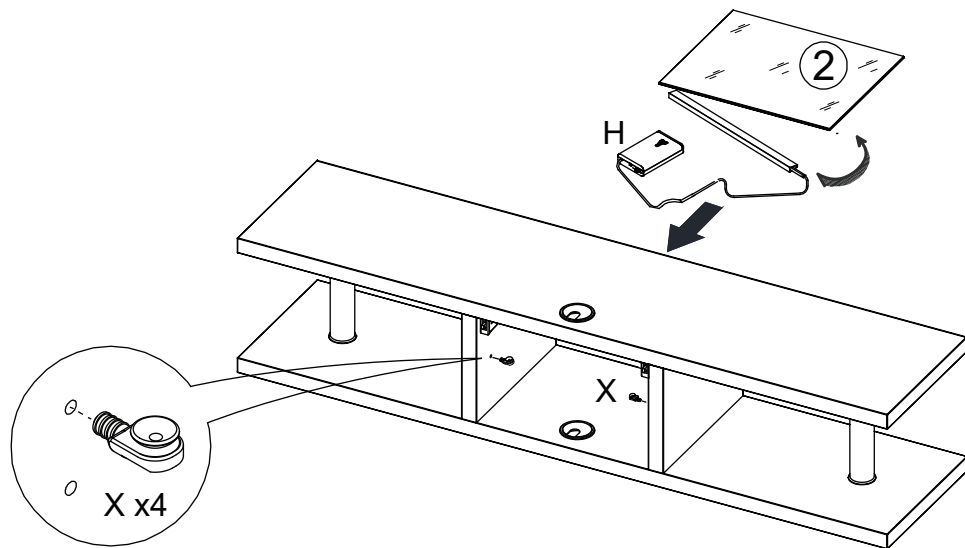
H x1



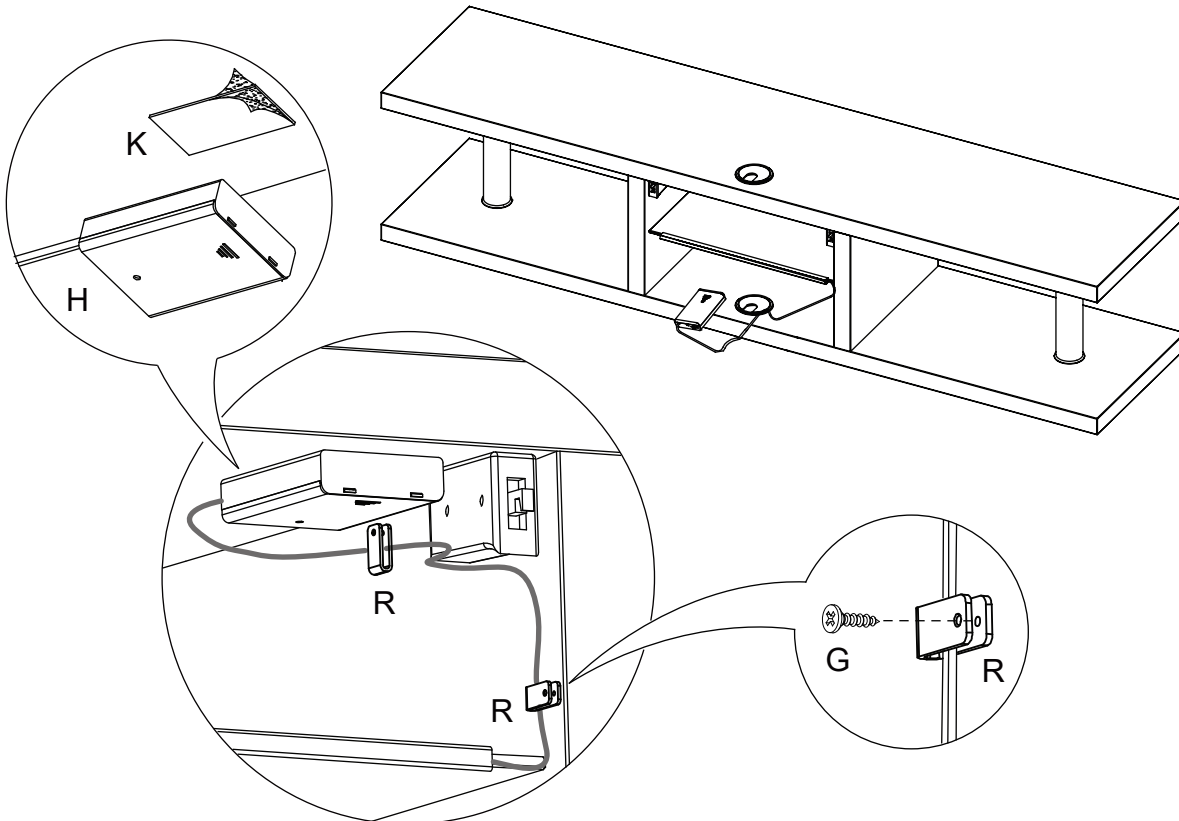
X x4



Y x2



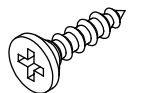
STEP 5



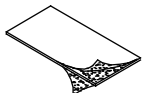
For this step:
Tools required



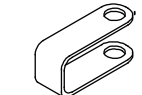
Fittings required



G x2



K x1

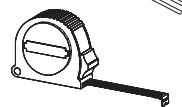
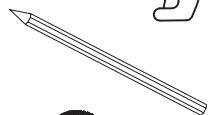
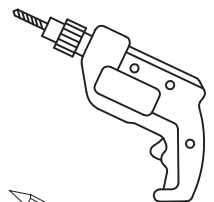
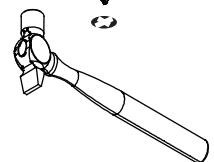
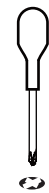


R x2

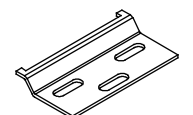
STEP 6

Warning: Always ensure the area to be drilled is free from hidden electrical wires, water or gas pipes.

For this step:
Tools required

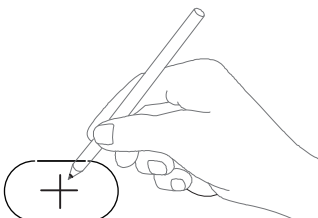


Fittings required

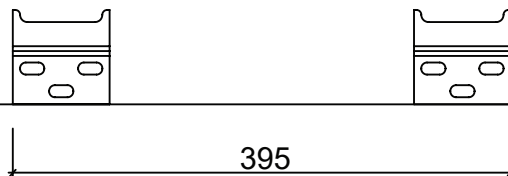


Z x2

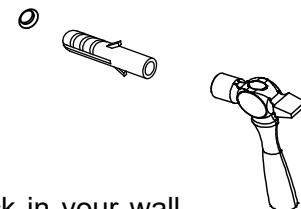
I Decide on the height you want the cupboard to be then holding one bracket level, mark dead-centre of the three holes. Following the diagram, position and mark holes in the second bracket.



same horizontal level

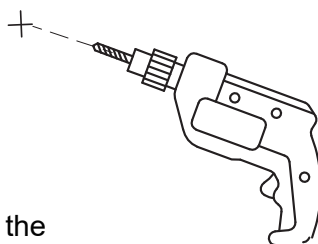


III



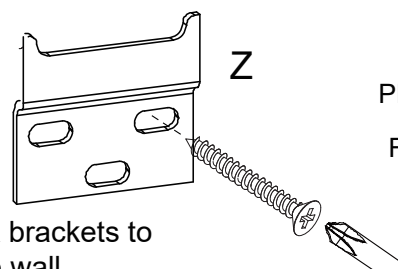
Knock in your wall plugs or other wall fixings.

II



Drill the holes in the wall.

IV

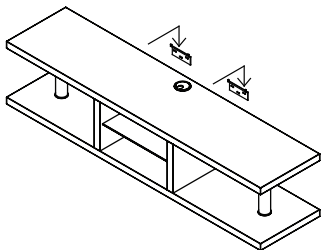
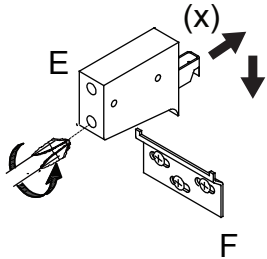


Fix brackets to the wall.

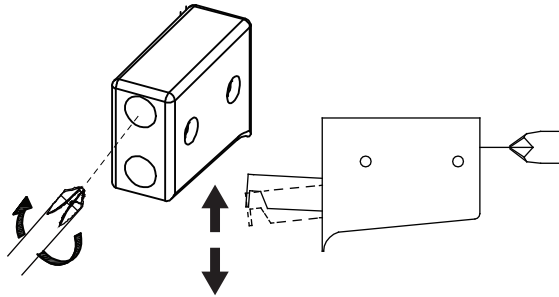
FOR SAFETY, PLEASE USE ALL THREE WALL FIXINGS IN THE BRACKET

STEP 7

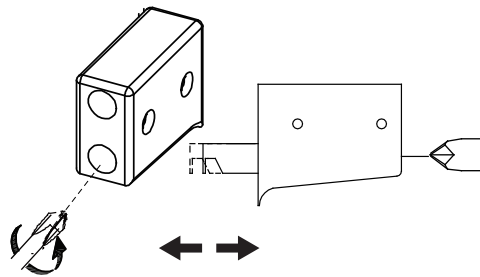
V On the hanging wall supports make certain hooks (x) are fully extended by turning lower screws anti-clockwise.



VI Hang the cabinet onto the brackets by carefully aligning the end panels so they just miss the outer sides of the brackets. To make cabinet level, turn upper screw clockwise on one side only.



VII When unit is level, tighten lower screws clockwise so clamping unit to wall - do not over-tighten.



For this step:
Tools required

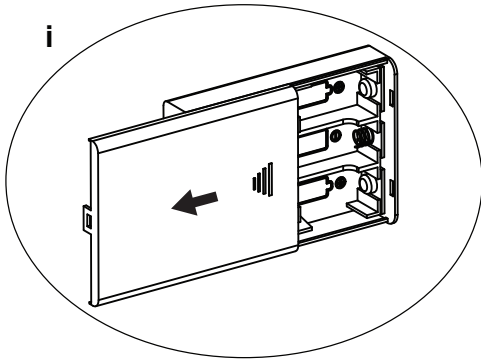


Fittings required

CHANGING THE BATTERIES

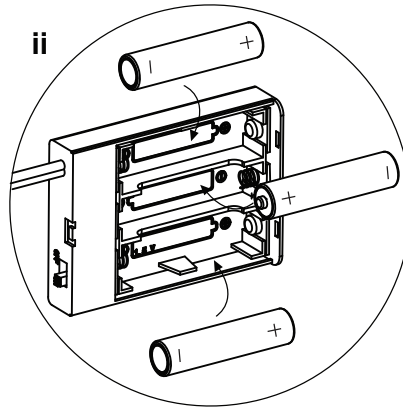
SLIDE OFF THE LID

i



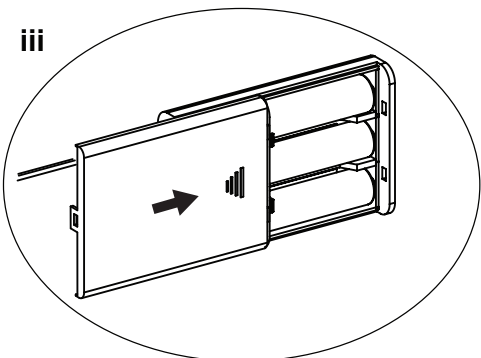
CHANGE BATTERIES

ii

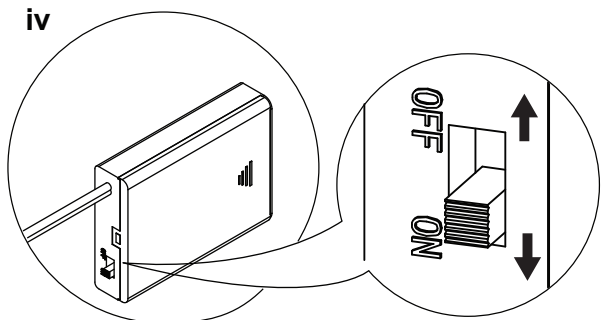


SLIDE LID BACK ON

iii



iv



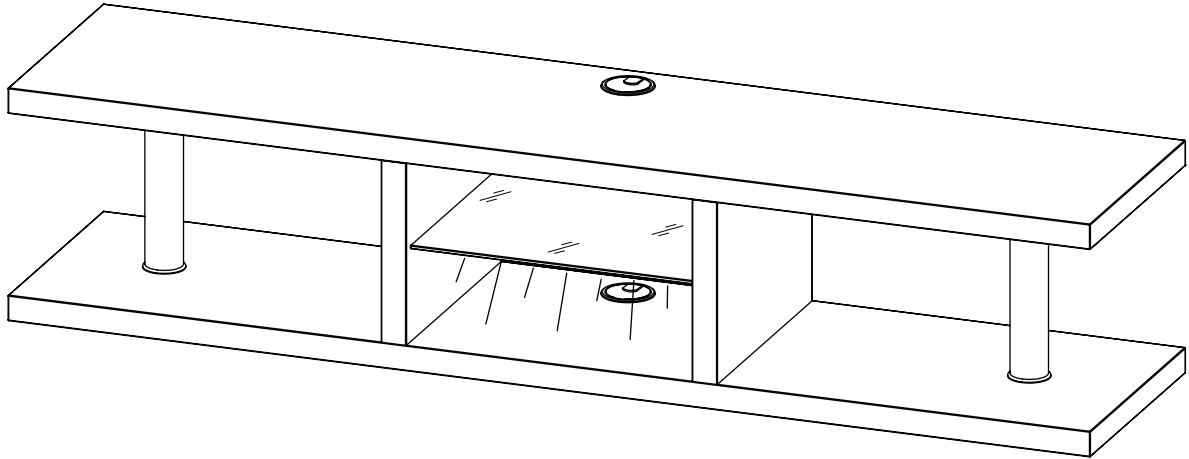
USE GOOD QUALITY AA BATTERIES. FOR BEST RESULTS USE RE-CHARGEABLES.

Assembly Completed

Your Polar TV Unit is now completely assembled.

Periodically check to ensure that the components are in their proper position, free from damage.

Also, make sure the connectors are tight and secure.



Keep instructions for future reference

