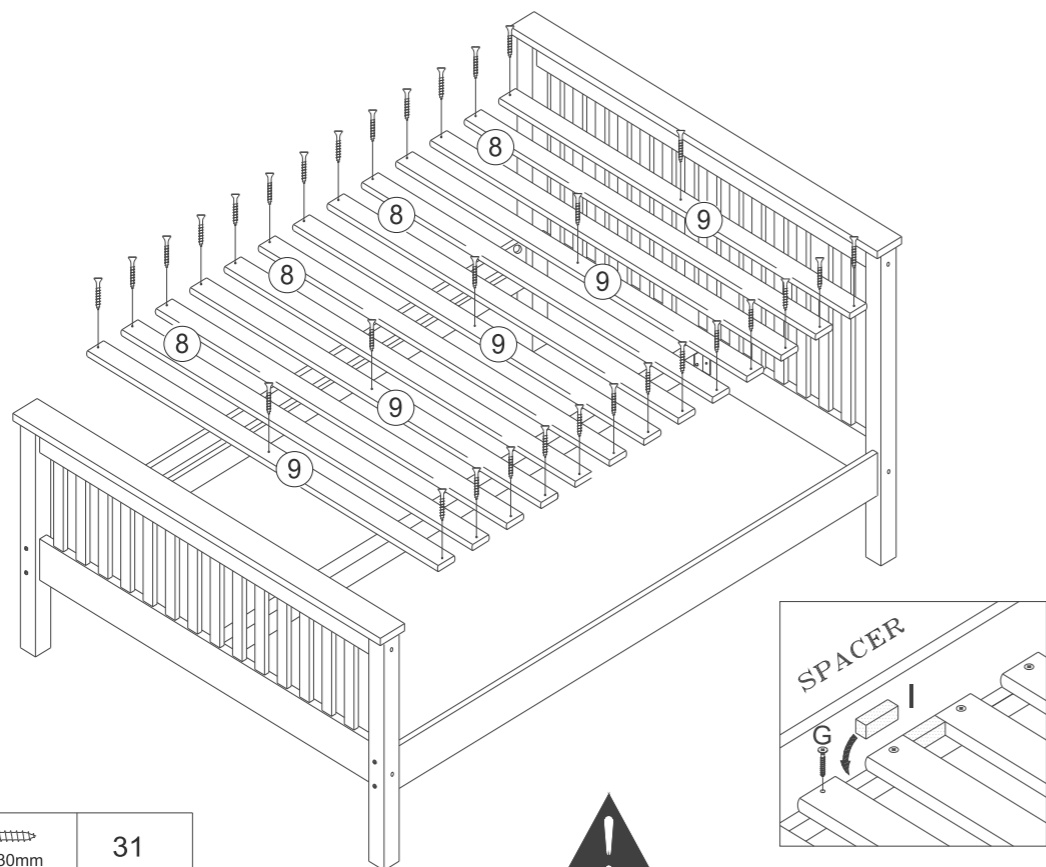
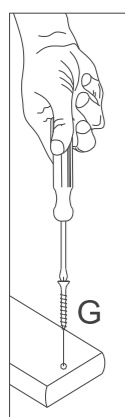
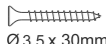
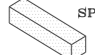



7



G	 Ø 3,5 x 30mm	31
I	 SPACER	02

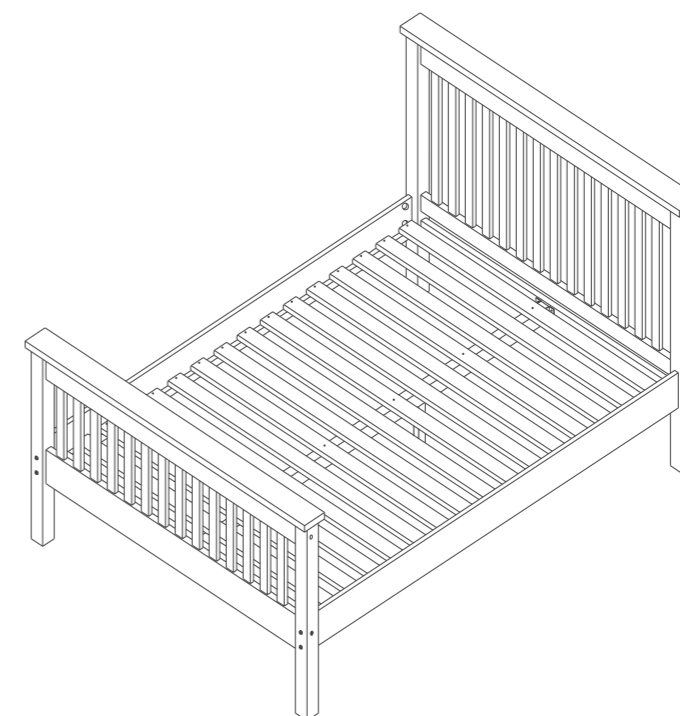
 Please fix the first slats adjacent to the headboard and footboard and work towards the middle of the bed using the spacer (I) as shown to ensure the correct spacing. Fix all the slats to one siderail first then push the second siderail tight against the slats and fix.

# MONACO 4'6" HIGH END BED

DISTRESSED WAXED PINE

ASSEMBLY INSTRUCTIONS

52911 (LT)

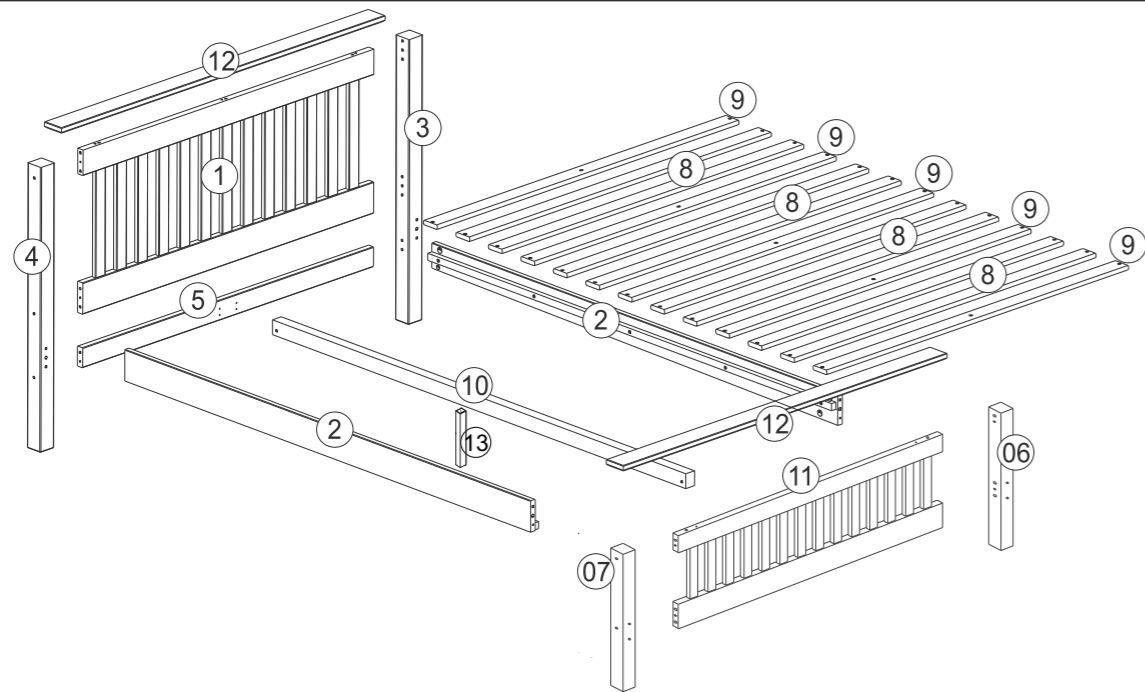


**FOR DOMESTIC USE ONLY  
IMPORTANT**

PLEASE READ BEFORE YOU CONTINUE FURTHER

## CARE AND MAINTENANCE

- After unpacking this product please keep the original packaging in case it needs to be returned for any reason.
- Please ensure all fittings and parts are present before commencing with assembly.
- We recommend that you lay a blanket or sheet on the floor to avoid damage to both your floor and the product.
- We strongly recommend that you keep children away from your work area.
- Assemble this product as close to its final position as possible.
- Never drag or push products as this could cause damage to the joints making it inferior.
- Do not drag or push items across your furniture as this may cause the surface to scratch.
- Do not place this product next to a radiator or in direct sunlight.
- Wood is a natural product and may expand if subjected to damp and may shrink or crack if subjected to heat. Therefore it is recommended that room temperature is maintained, with no sudden temperature fluctuations.
- Make sure any spillage is wiped off immediately.
- Do not place hot or chilled items directly on to the surface, use a place mat or marking will occur.
- For general cleaning use a soft cotton or micro fibre cloth, and do not use detergents of any kind.
- Do not place on a wet or damp floor as staining may occur to your floor.
- From time to time it may be necessary to tighten fittings, regular inspections should be carried out.



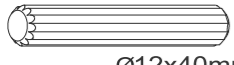
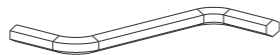


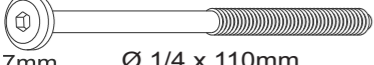
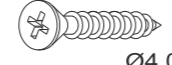

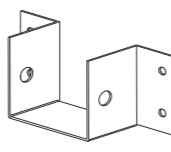

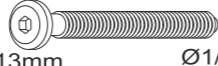

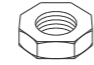

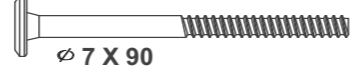
**Parts**

1	Headboard Panel	01	7	Left Footboard Post	01
2	Siderails	02	8	Slats (2 holes)	08
3	Right Headboard Post	01	9	Slats (3 holes)	05
4	Left Headboard Post	01	10	Centre Support	01
5	Headboard Crossbeam	01	11	Footboard Panel	01
6	Right Footboard Post	01	12	Plinths	02
			13	Centre support leg	01

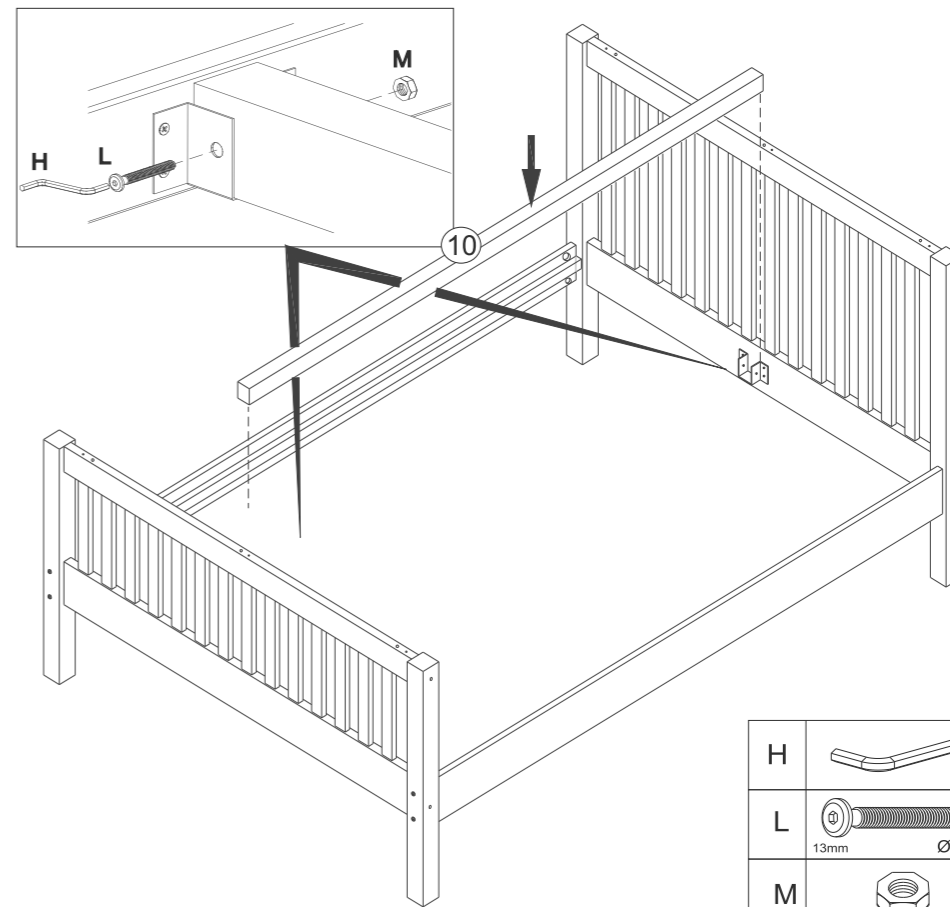
**!**  
\*Use of power tools to assemble this product will invalidate any claim and could damage this product making it unsafe!!!  
\*Please assemble on a clean soft surface to avoid damage.


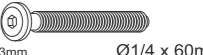

**!**  
\*Please check contents and read the instructions before commencing assembly.  
\*Assemble this product following the enclosed instructions carefully.  
\*Please take care to avoid damaging parts during assembly.

**Fittings**

A		04	H		01
B		24	I		02
C		08	J		08
D		08	K		02
E		10	L		02
F		06	M		02
G		31	N		01

**5**

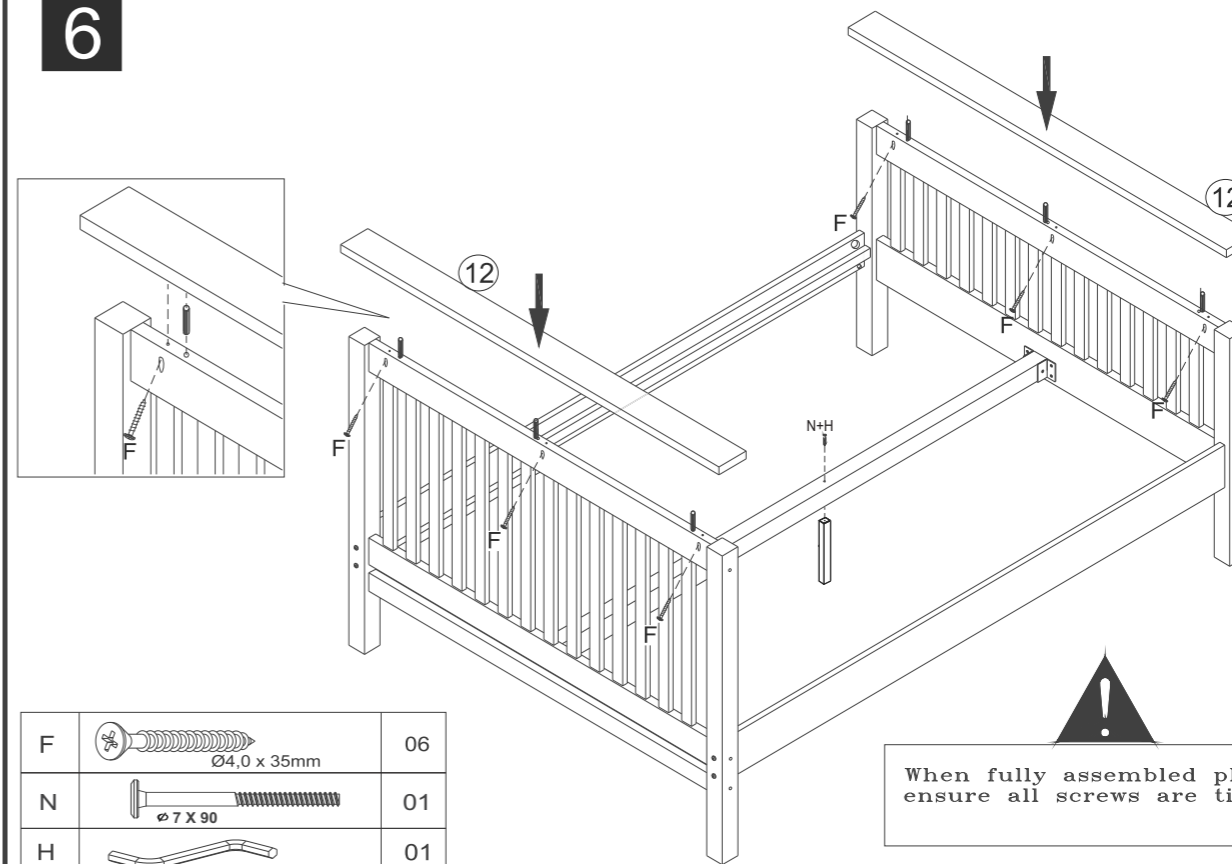



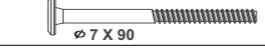

H		01
L		02
M		02



The use of power tools to assemble this product will invalidate any claim and may damage this product making it unsafe!!!

**6**

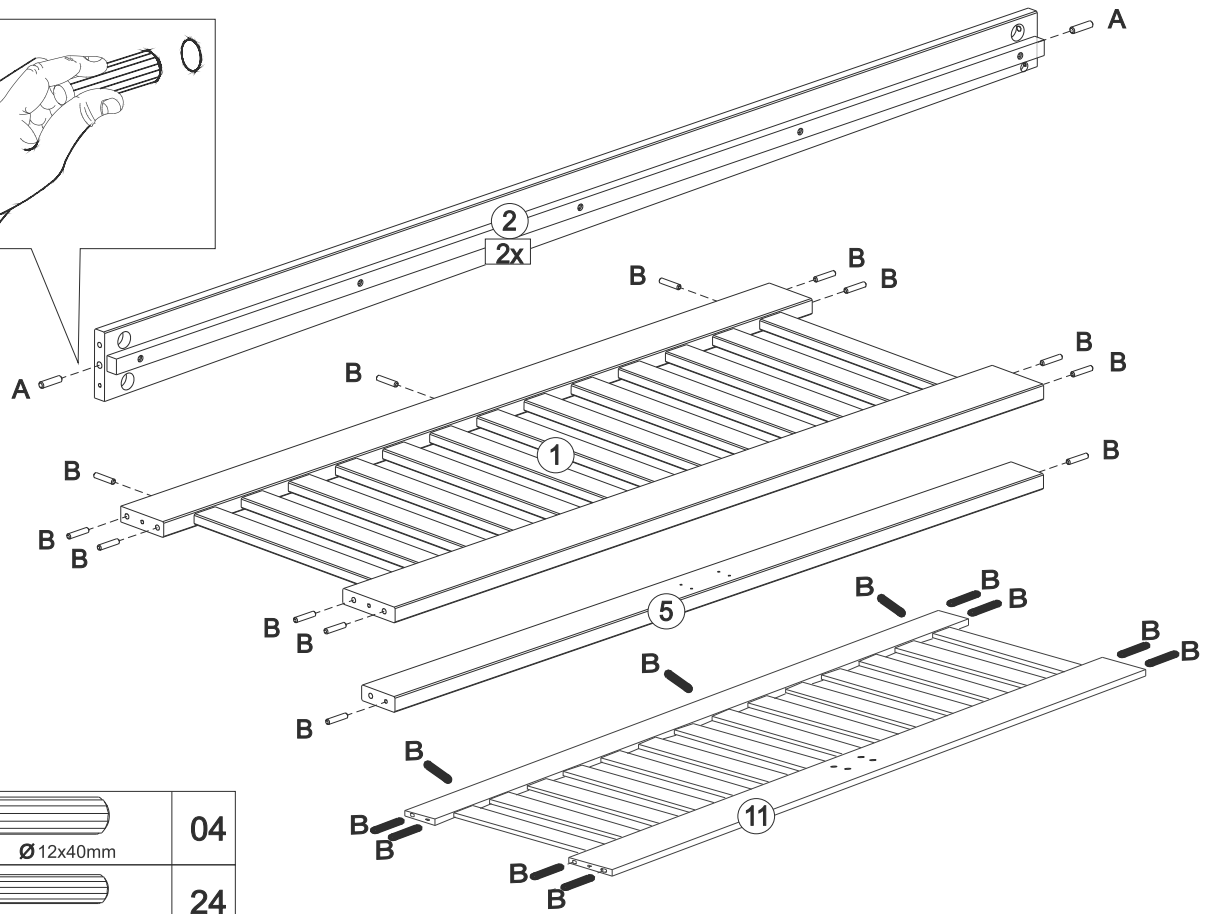
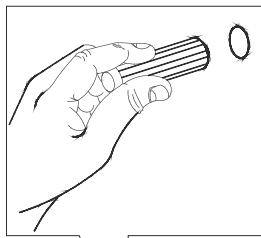


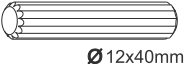
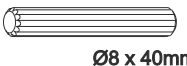
F		06
N		01
H		01



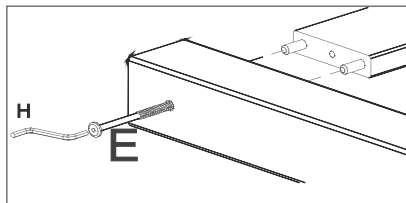
When fully assembled please ensure all screws are tightened

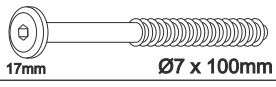

1

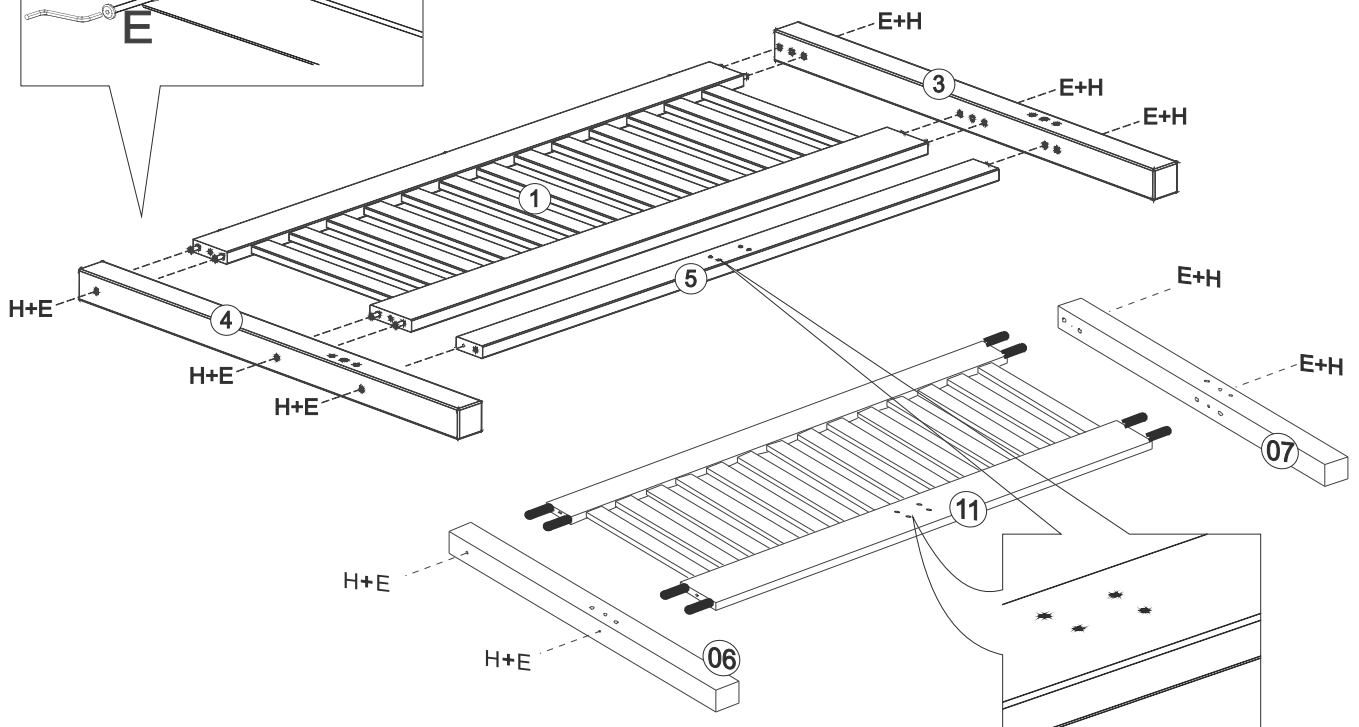


A		04
B		24

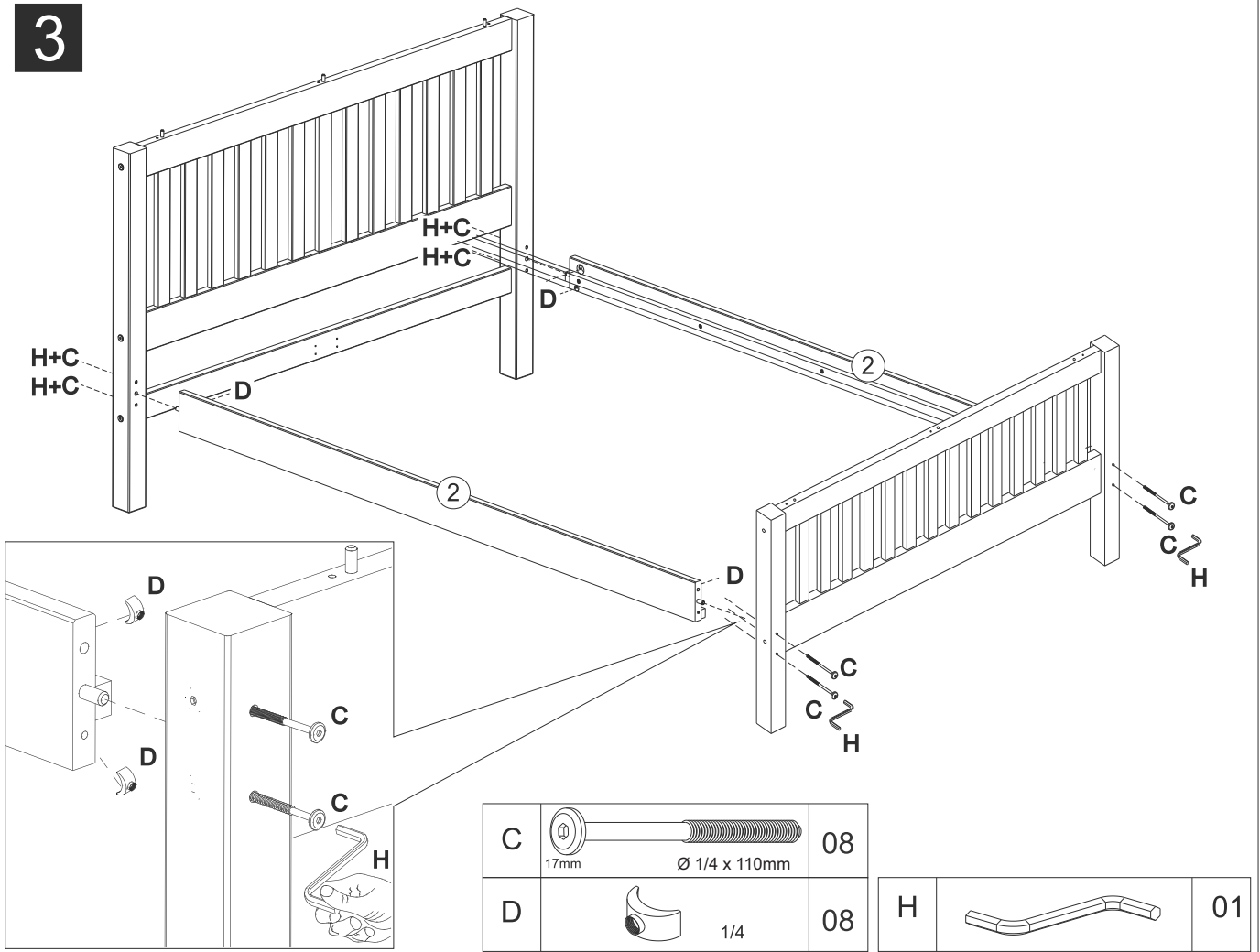
2



E		10
H		01



3



4

