



Birlea

Suppliers of inspiration

Vendor: S000013

PO: F03092



ASSEMBLY INSTRUCTIONS COLOGNE OTTOMAN 4'6" & 5' BED

IMPORTANT : READ THESE INSTRUCTIONS CAREFULLY BEFORE ASSEMBLING OR USING YOUR COLOGNE OTTOMAN 4'6" & 5' BED FRAME

PLEASE KEEP THESE INSTRUCTIONS FOR FUTURE REFERENCE.

HEALTH & SAFETY:

DO NOT jump on this bed frame.

DO NOT use this bed frame if any parts are missing, damaged or worn.

DO NOT use this bed frame unless all fixings are secured.

Please keep small parts out of reach of children.

Always use on a level, even surface.

WARNING : If this bed is placed on a non- carpeted floor you must place some protection under all legs to stop the bed frame from moving. if this is not adhered to there is no guarantee if the bed frame collapses.

WARNING: Take care when assembling the base, assemble the ottoman as closed to its final position. The Ottoman has a powerful mechanism and after assembly should only be opened when the mattress is in place.

CARE & MAINTENANCE:

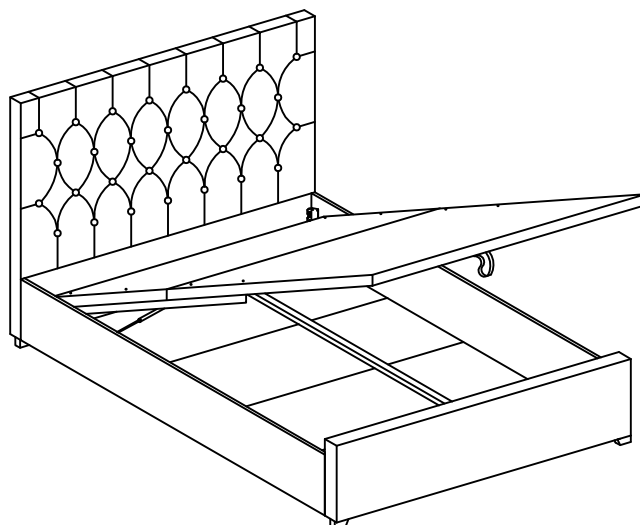
Assembly in the room use.

Periodically check all screw & fixings to ensure they are secure.

DO NOT push the bed frame as this will damage the legs.

Always lift the bed with two people to reposition.

Keep any sharp objects away from the frame.



Birlea



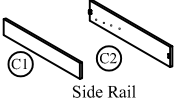
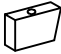

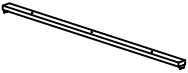

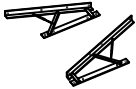



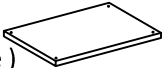
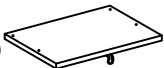

Suppliers of inspiration

www.birlea.com

Page 1 of 9



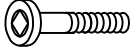
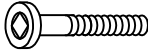
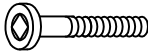
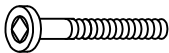





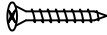
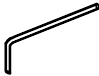
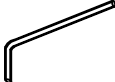


Parts List

Parts	Description	Box	Qty
1	Headend 	1	1
2	Footend 	2	1
3	Side Rail 	2	2
4	Legs 	2	4
5	Metal Centre Rail 	2	1
6	Wooden Centre Rail 	2	1
7	Support Leg 	2	3
8	Pump Mounting Bracket 	2	2
9	Bracket Base 	2	2
10	Gas Spring 	2	2
11	Wooden Frame Bracket 	2	2
12	Wooden Frame (holes are not the same) 	3	1
13	Wooden Frame (holes are not the same) 	3	1
14	Bottom Panel 	4	4





Hardware List (Found in box 2)

Parts	Description	Box	Qty
A	M6 x 30 mm JCBC 	2	4
B	M6 x 40 mm JCBC 	2	11
C	M6 x 50 mm JCBC 	2	4
D	M8 x 70 mm JCBC 	2	8
E	M6 Spring Washer 	2	12
F	M6 Flat Washer 	2	12
G	M8 Spring Washer 	2	16
H	M8 Flat Washer 	2	16
I	M8 Hex Nut 	2	8
J	M4 x 25 mm CSK 	2	24
K	Allen Key M4 x 100 mm 	2	1
L	Allen Key M5 x 70 mm 	2	1
M	M8 Spanner 	2	1
N	Adjuster 	2	3

*You will need a screwdriver (not provided)





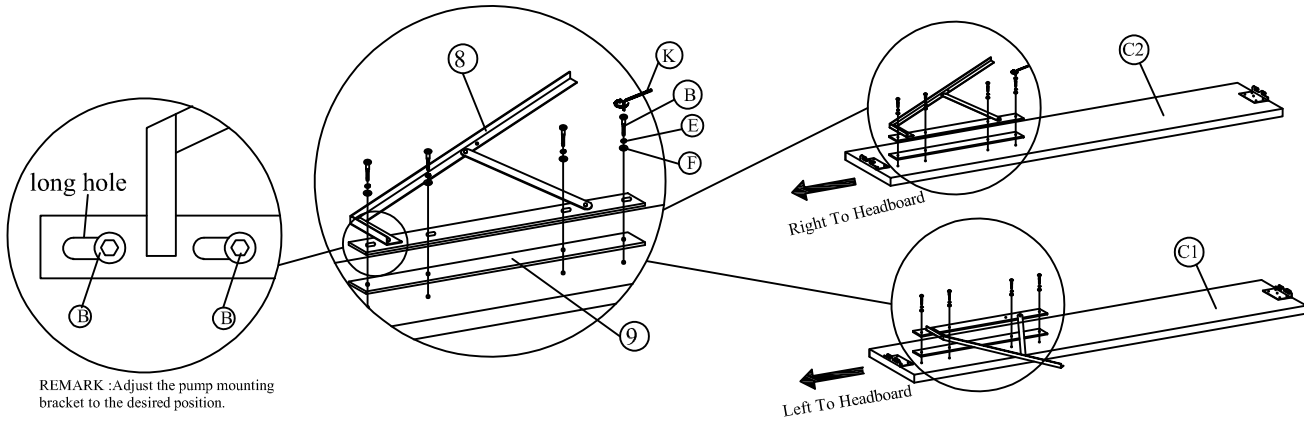
Birlea

Suppliers of inspiration

Vendor: S000013

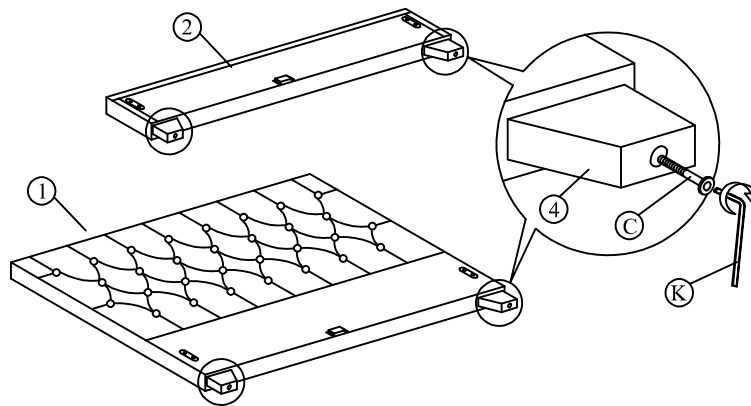


Step 1: Attach the pump mounting bracket (8) and bracket base (9) to the both side rail (3) using hardware parts B, E, F and K.
DO NOT use any power tools as this may damage the frame and will invalidate any claim.



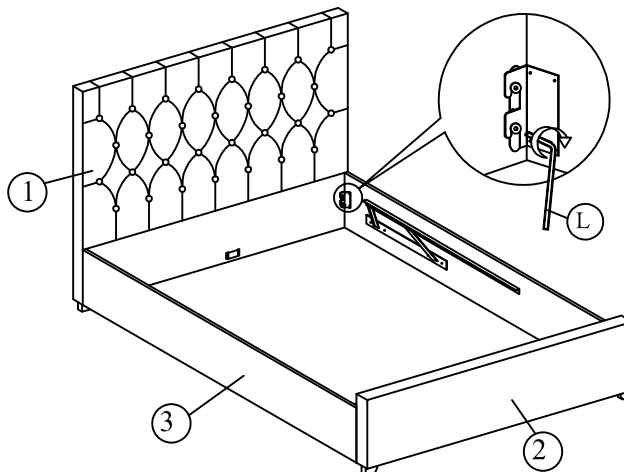
Step 2: Attach the legs (4) to the headend (1) and footend (2).

DO NOT use any power tools as this may damage the frame and will invalidate any claim.



Step 3: Attach the side rails (3) by pushing the brackets down into place and secure the bolts using hardware part L as shown .

DO NOT use any power tools as this may damage the frame and will invalidate any claim.



Birlea

Suppliers of inspiration

www.birlea.com

Page 4 of 9

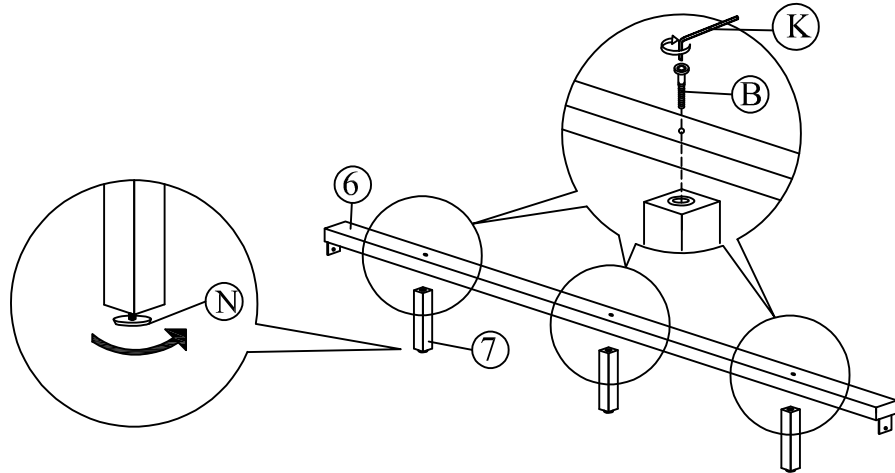


Birlea

Suppliers of inspiration

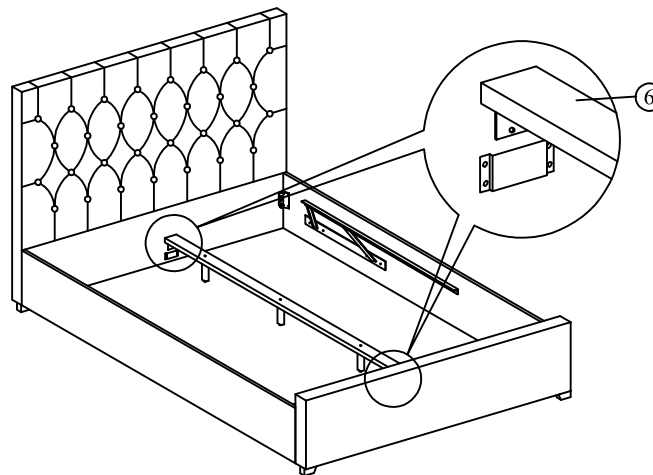
Step 4: Attach the support legs (7) to the centre rail (6) using hardware parts B and K.

DO NOT use any power tools as this may damage the frame and will invalidate any claim.



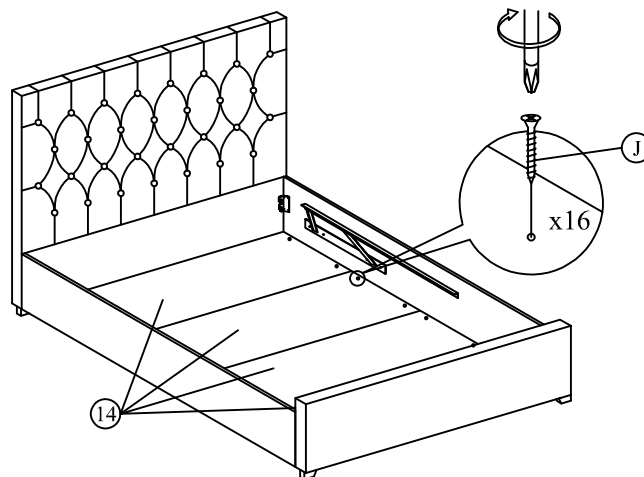
Step 5: Insert the centre rail (6) to the headend (1) and footend (2).

DO NOT use any power tools as this may damage the frame and will invalidate any claim.



Step 7: Insert the bottom panel (14) to the below frame and secure using hardware part J and a screwdriver (not provided).

DO NOT use any power tools as this may damage the frame and will invalidate any claim.



Birlea

Suppliers of inspiration



Birlea

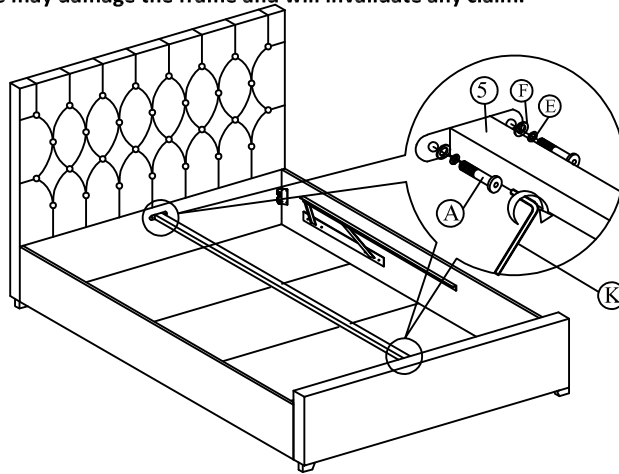
Suppliers of inspiration

Vendor: S000013



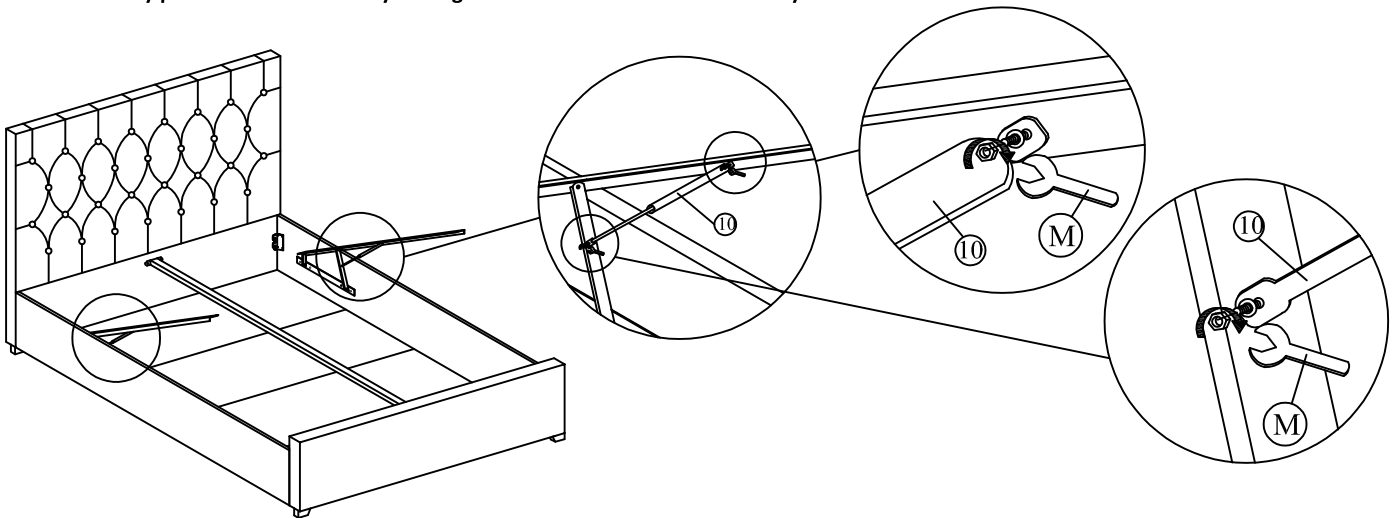
Step 7: Insert the centre rail (5) to the headend (1) and footend (2) and secure using hardware part A and K .

DO NOT use any power tools as this may damage the frame and will invalidate any claim.



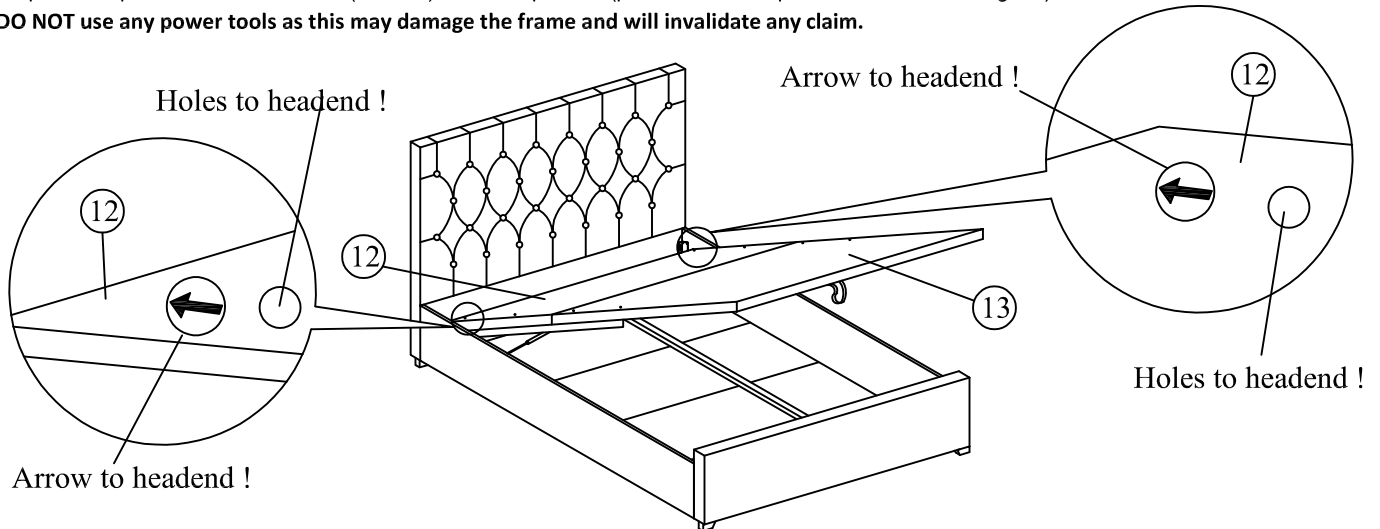
Step 8: Unscrew the Pre-attached hex-nut of gas spring (10) and attach it back again as shown . Please fully tighten the nut. .

DO NOT use any power tools as this may damage the frame and will invalidate any claim.



Step 9: Must place the wooden frame (12 & 13) in correct position (please follow the position as shown in diagram)

DO NOT use any power tools as this may damage the frame and will invalidate any claim.



Birlea

Suppliers of inspiration

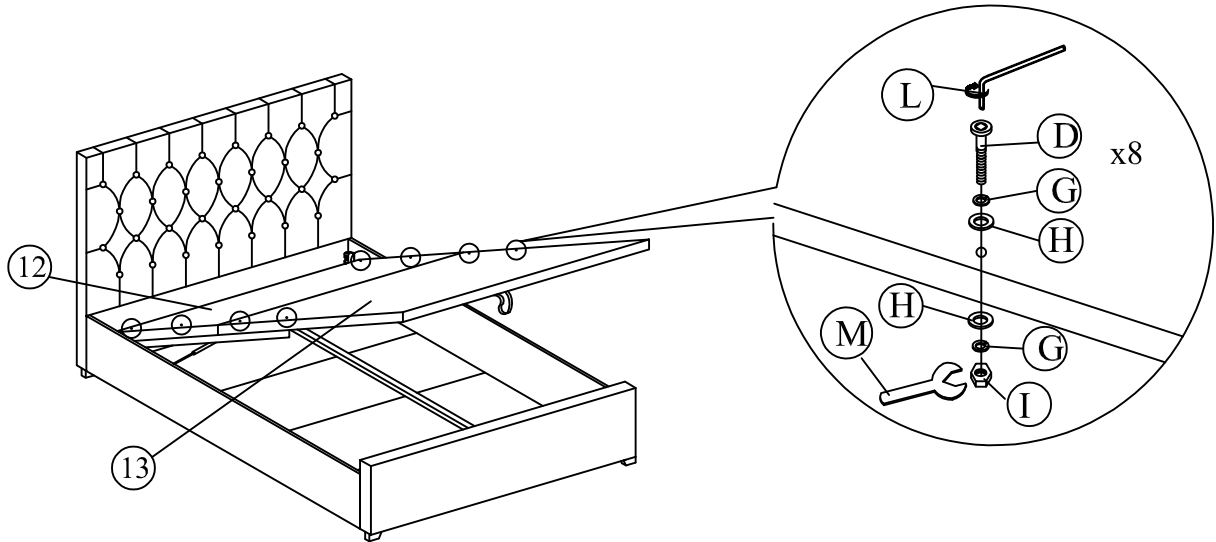
www.birlea.com

Page 6 of 9



Step 10: Assembly the wooden frame (12) and wooden frame (13) to the bracket and tighten all the fitting accordingly .

DO NOT use any power tools as this may damage the frame and will invalidate any claim.

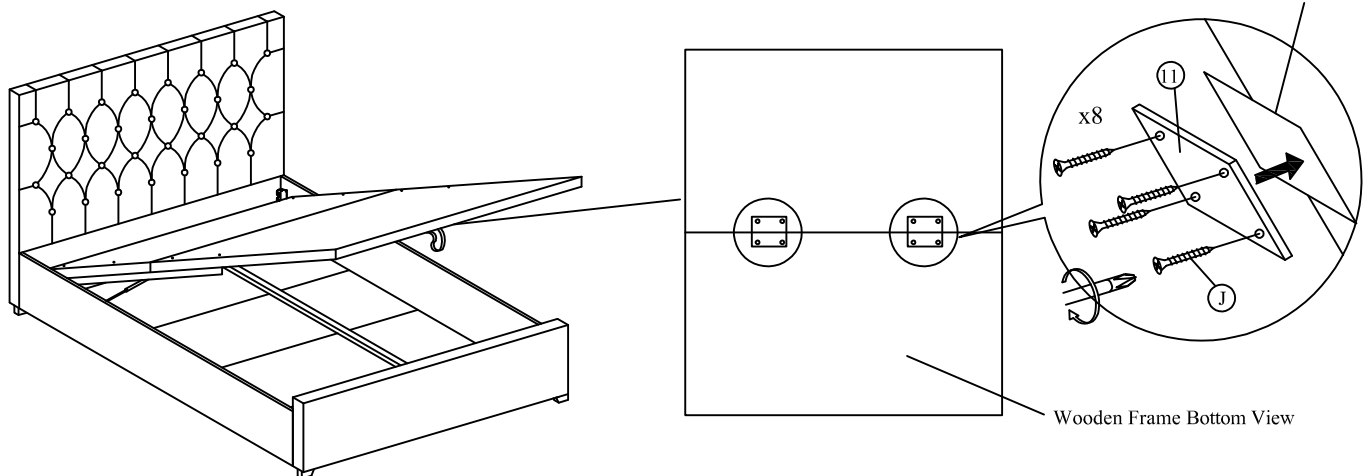


WARNING: Take care when assembling the base, assemble the ottoman as closed to its final position. The Ottoman has a powerful mechanism and after assembly should only be opened when the mattress is in place.

Step 11: Attach the wooden frame bracket (11) to the wooden frame using hardware parts J and a screwdriver (not provided).

DO NOT use any power tools as this may damage the frame and will invalidate any claim.

Please follow the marking and attach the bracket accordingly





Birlea

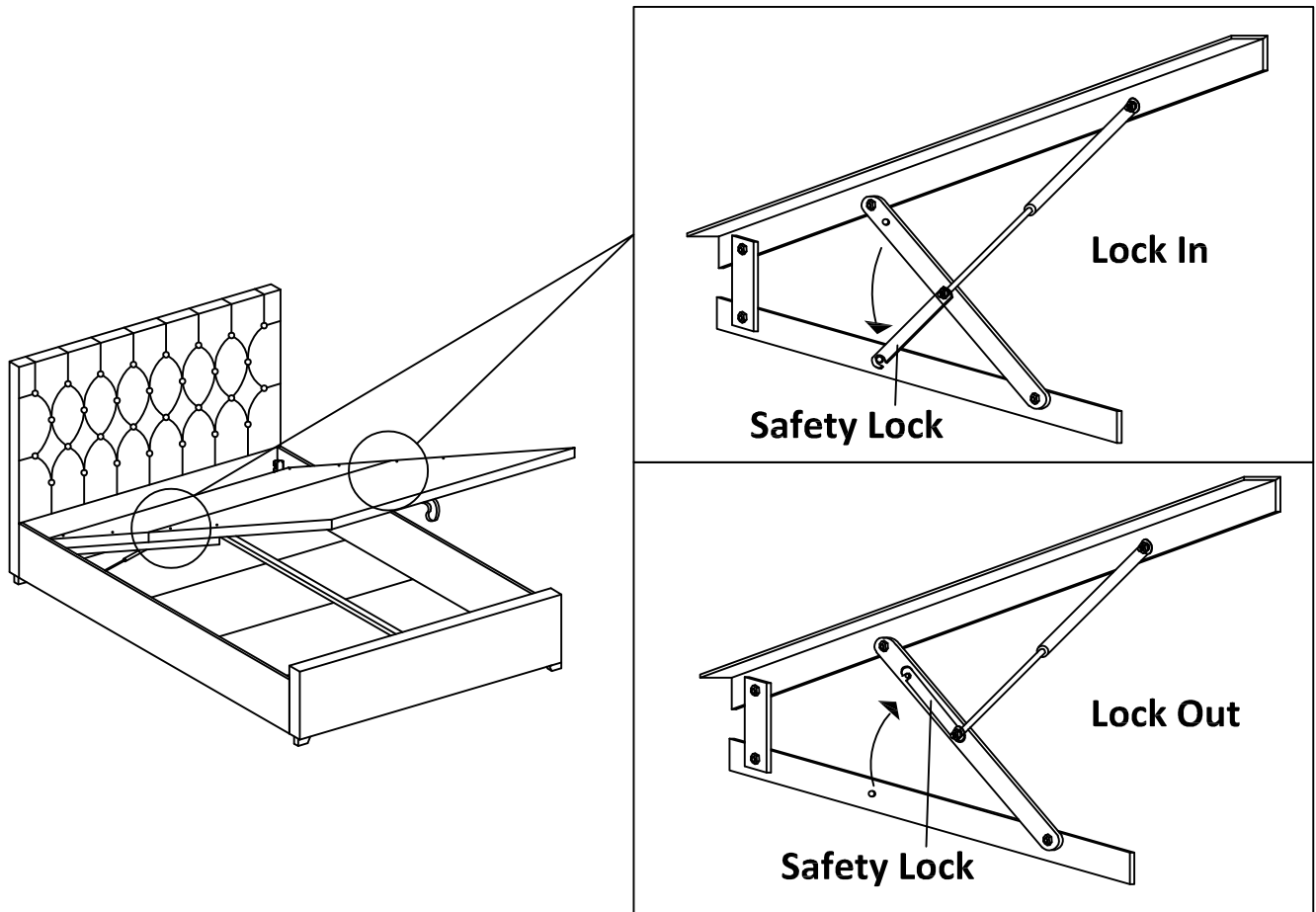
Suppliers of inspiration

Vendor: S000013



Step 12: Please use the safety lock for safety purpose.

DO NOT use any power tools as this may damage the frame and will invalidate any claim.



Additional Information:

- For complete product information, images and dimension diagrams please visit the website www.birlea.com
- If you have any issues with your item please contact the retailer directly you purchased it from who will be able to resolve any issues with Birlea.
- Why don't you send us photos of your assembled furniture to info@birlea.com to be shared in our #birleahome feature on Instagram.



Birlea

Suppliers of inspiration

www.birlea.com

Page 8 of 9



Additional Information:

- Caution. This bed uses a pressurised mechanism.
- Use caution when operating - Always use two hands at arm's length, and only where illustrated on the product.
- You must ensure the mattress is on the bed frame before lifting the mechanism - Failure to do so may result in injury.
- Please ensure Children and pets are kept away from the bed when operating the bed mechanism.
- If removing the mattress, make sure that the frame is secured as it could flip open.
- Only use the storage compartment when the frame is fully raised in the 'up' position.
- No children and animals are left unattended when the frame is in the 'up' position.
- Do not remain on the bed whilst the lifting mechanism is in use.
- Beware of Entrapment - Keep both hands clear of mechanism when operating the mechanism.
- When lifting the bed remove all bedding - Except the fitted sheet.

