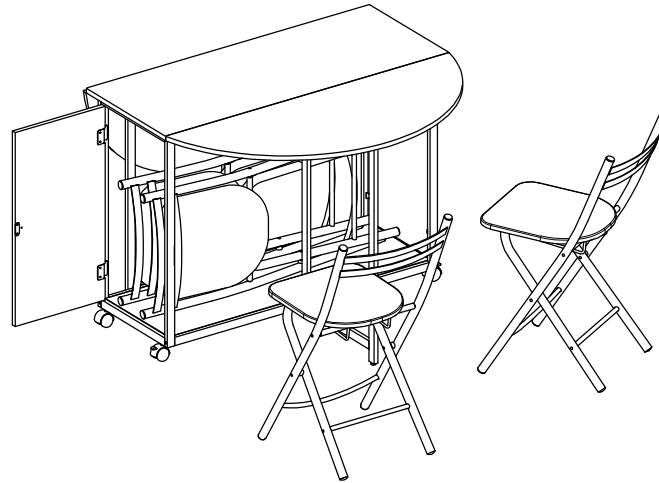


BUDGET BUTTERFLY DINING SET



IMPORTANT FOR DOMESTIC USE ONLY PLEASE READ BEFORE YOU CONTINUE FURTHER

THE PRODUCT YOU HAVE PURCHASED WILL GIVE YOU MANY YEARS OF SERVICE IF YOU FOLLOW THE GUIDELINES FOR ITS SAFE ASSEMBLY AND PERIODIC MAINTENANCE AND CLEANING.

DO NOT USE ANY TOOLS OTHER THAN THOSE SHOWN.

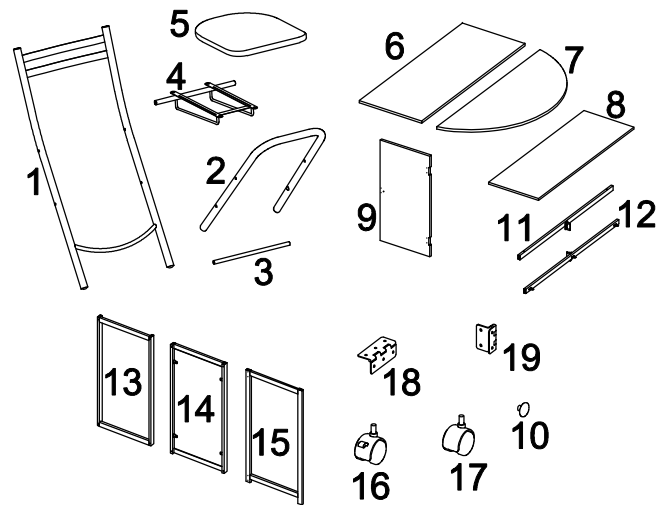
ANY SPANNERS OR ALLEN KEYS REQUIRED ARE INCLUDED WITH THE FITINGS KIT.

DO NOT FOR ANY REASON USE A POWER TOOL TO ASSEMBLE THIS PRODUCT ITS USE WILL INVALIDATE ANY CLAIM YOU MAY HAVE AND COULD MAKE THIS PRODUCT UNSAFE.

DEPENDING ON THE AMOUNT OF USE THIS PRODUCT RECEIVES IT MAY BE NECESSARY TO TIGHTEN UP THE FIXINGS FROM TIME TO TIME THIS IS COMPLETELY NORMAL FOR ANY FLAT PACK FURNITURE.

FOR CLEANING, YOU MAY USE A DAMP CLOTH (NOT WET) DO NOT USE POLISH, DETERGENT OR CHEMICAL CLEANERS.

PARTS LIST



1	CHAIR BACKREST	4
2	CHAIR LEG	4
3	CHAIR CROSS BAR	4
4	CHAIR SEAT FRAME	4
5	CHAIR SEAT BOARD	4
6	TABLE TOP (CENTRAL)	1
7	FOLDABLE TABLE TOP	2
8	LOWER BOARD	1
9	DOOR	1
10	DOOR HANDLE	1
11	UPPER CROSSBAR	2
12	LOWER CROSSBAR	2

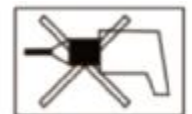
13	DOOR FRAME	1
14	FRAME WITH BOARD	1
15	FOLDABLE FRAME	2
16	CASTOR WITH BRAKES	2
17	CASTOR	2
18	HINGE FOR TABLE TOP	6
19	HINGE FOR DOOR	2

HARDWARE LIST

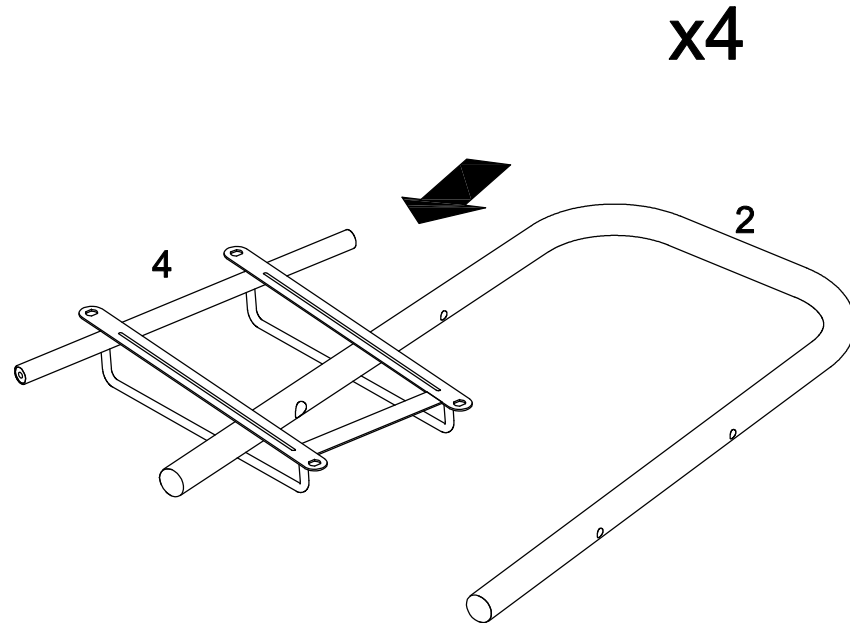
A		M6*12mm	16PCS
B		M6*25mm	8PCS
C		M6*35mm	4PCS
D		M6*45mm	16PCS
E		M6*65mm	8PCS
F		Ø4*12mm	58PCS
G		Ø3*12mm	4PCS
H		M4*20mm	1PC
I		M6*25mm	2PCS
J		M6	8PCS
K		Ø17.5*9mm	8PCS
L		Ø23*6*M6*20mm	2PCS
M		MAGNET	1PC
O		IRON	1PC
P		4mm	1PC
Q		M6	1PC

PLEASE CHECK THAT YOU HAVE ALL THE PARTS LISTED BEFORE YOU START ASSEMBLING, IF YOU DO FIND THAT SOMETHING IS MISSING, DO NOT CONTINUE ASSEMBLY. PLEASE CONTACT YOUR SUPPLIER IMMEDIATELY.

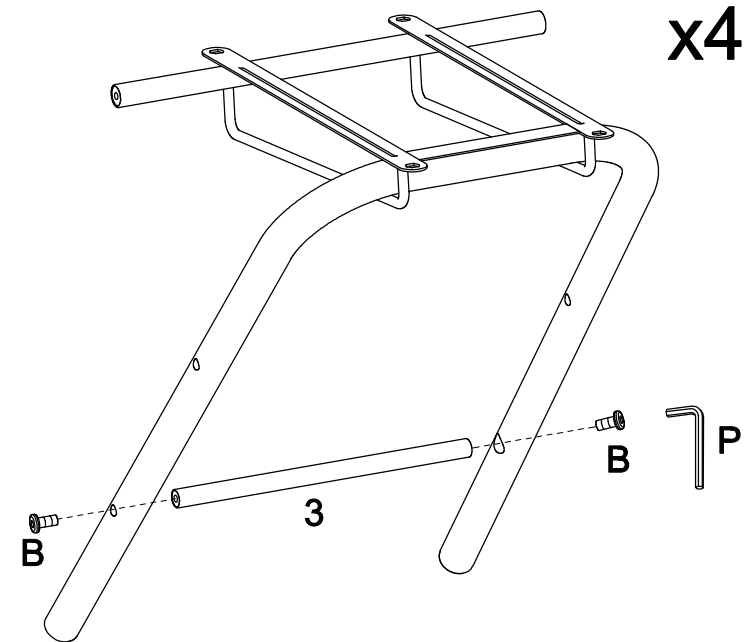
THE USE OF POWER TOOLS TO ASSEMBLE THIS PRODUCT WILL INVALIDATE ANY CLAIM AND MAY DAMAGE THIS PRODUCT MAKING IT UNSAFE



STEP-1



STEP-2



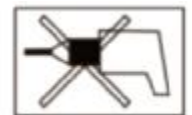
Bx8



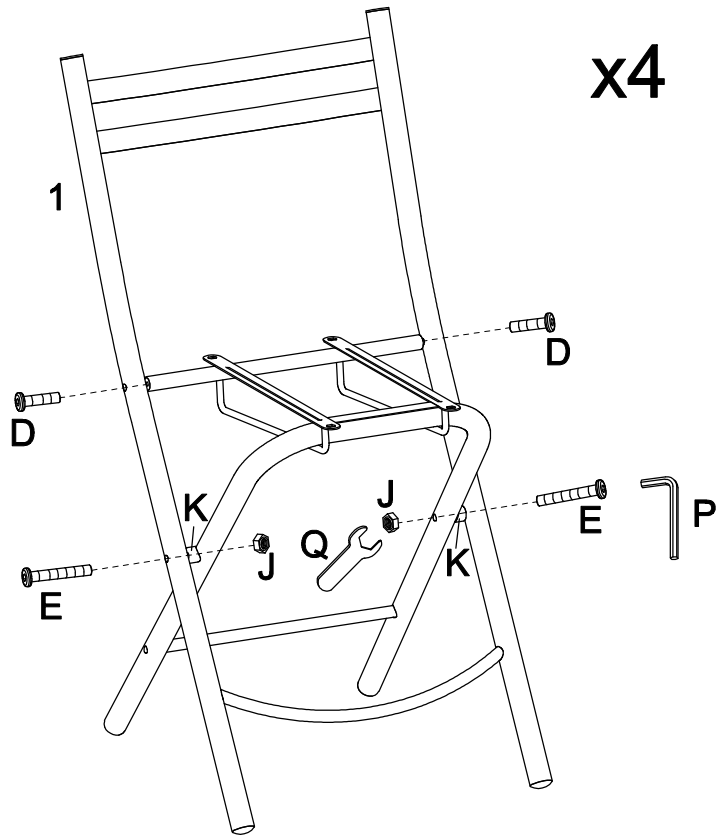
Px1



THE USE OF POWER TOOLS TO ASSEMBLE THIS PRODUCT WILL INVALIDATE ANY CLAIM AND MAY DAMAGE THIS PRODUCT MAKING IT UNSAFE

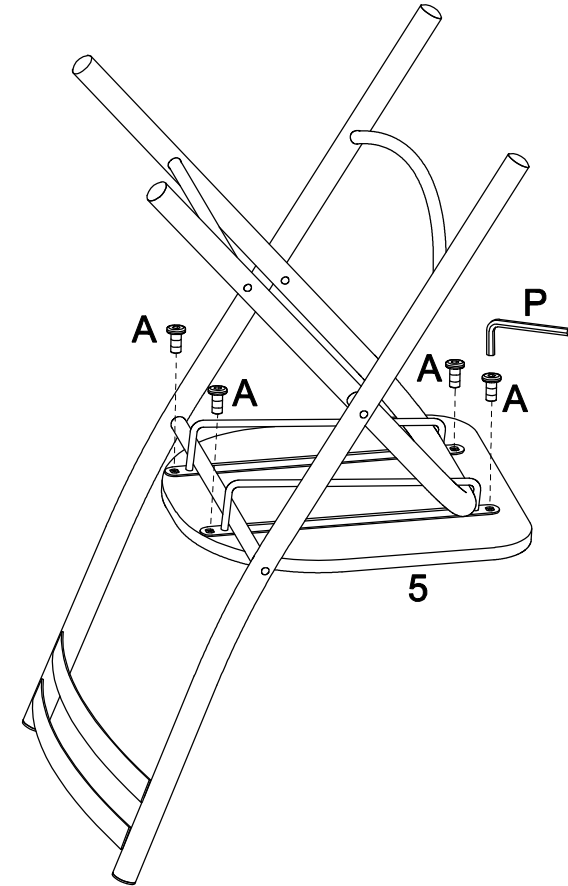


STEP-3



x4

STEP-4

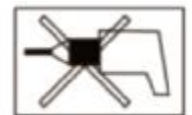


x4

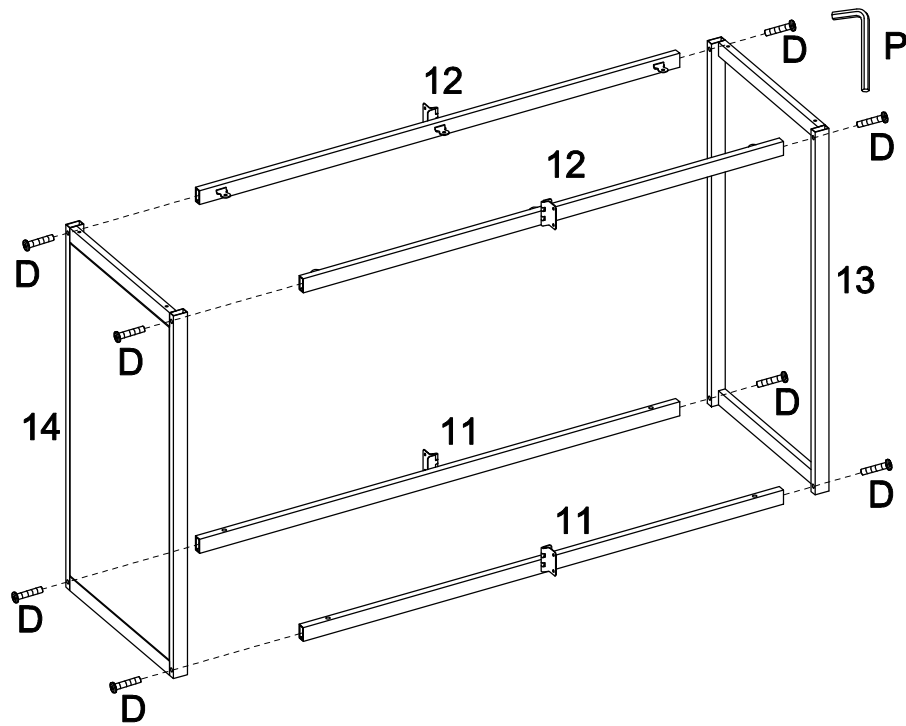
Dx8	Ex8	Jx8	Kx8	Px1	Qx1

Ax16	Px1

THE USE OF POWER TOOLS TO ASSEMBLE THIS PRODUCT WILL INVALIDATE ANY CLAIM AND MAY DAMAGE THIS PRODUCT MAKING IT UNSAFE



STEP-5



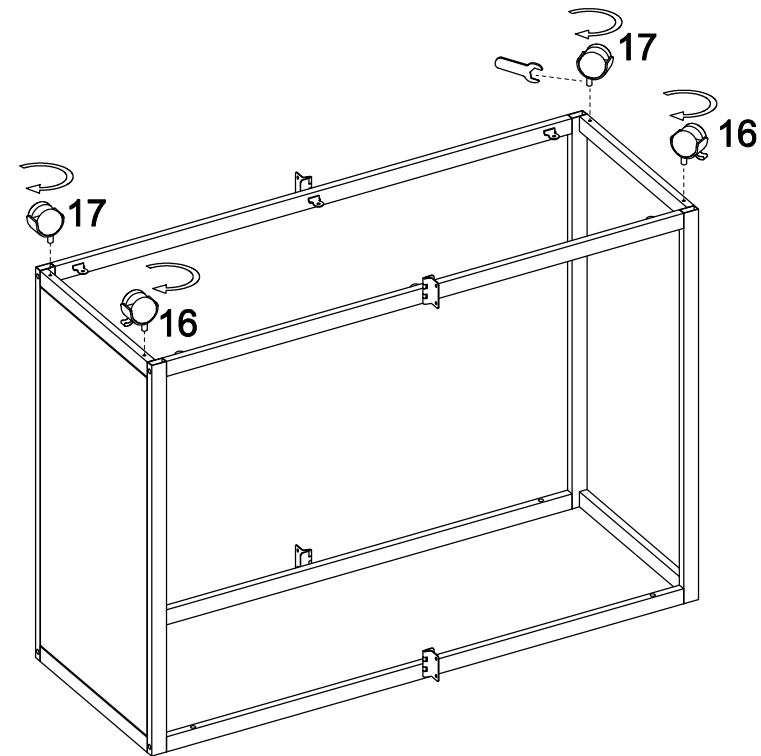
Dx8



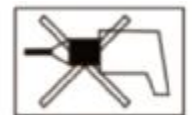
Px1



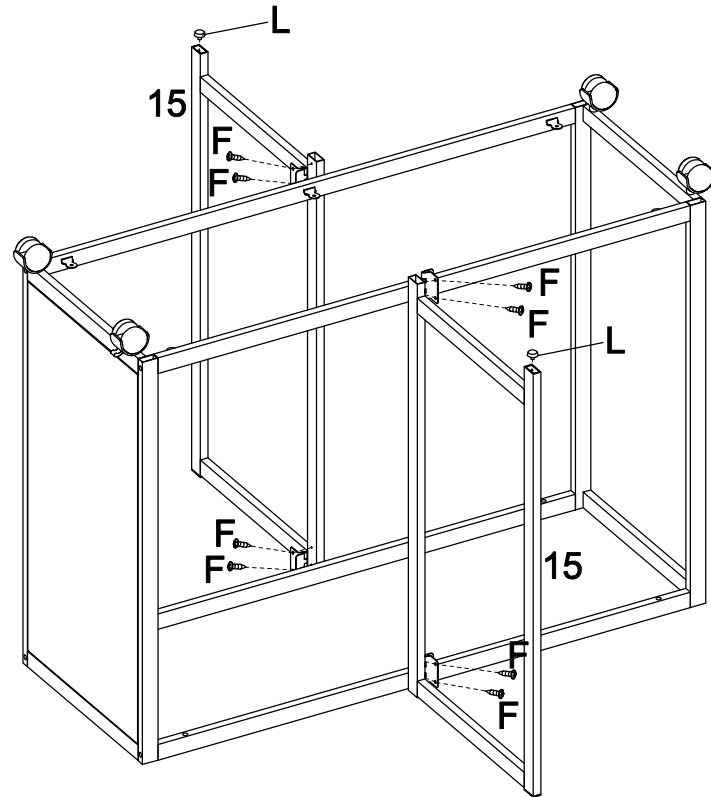
STEP-6



THE USE OF POWER TOOLS TO ASSEMBLE THIS PRODUCT WILL INVALIDATE ANY CLAIM AND MAY DAMAGE THIS PRODUCT MAKING IT UNSAFE



STEP-7



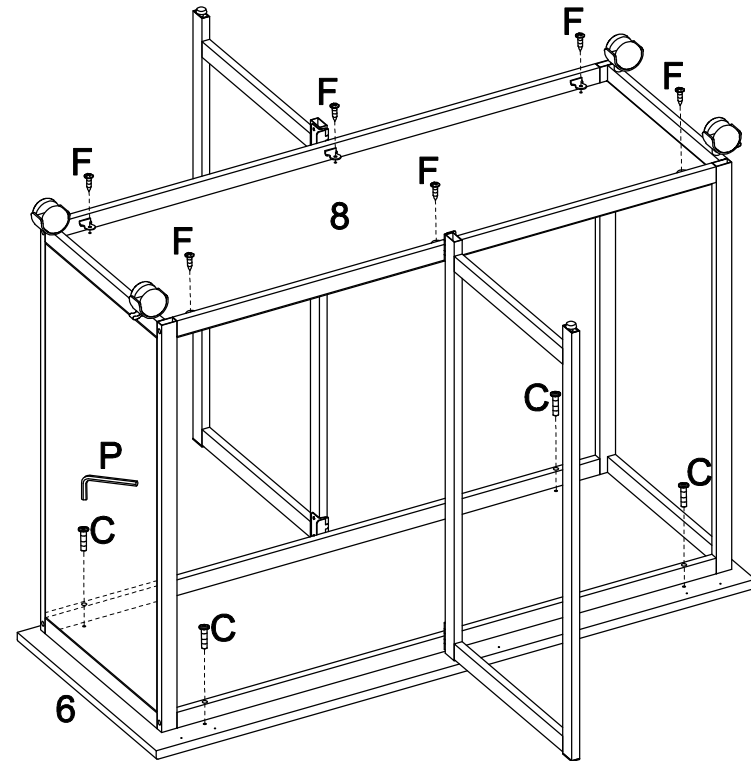
Fx8



Lx2



STEP-8



Cx4



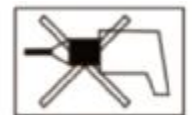
Fx6



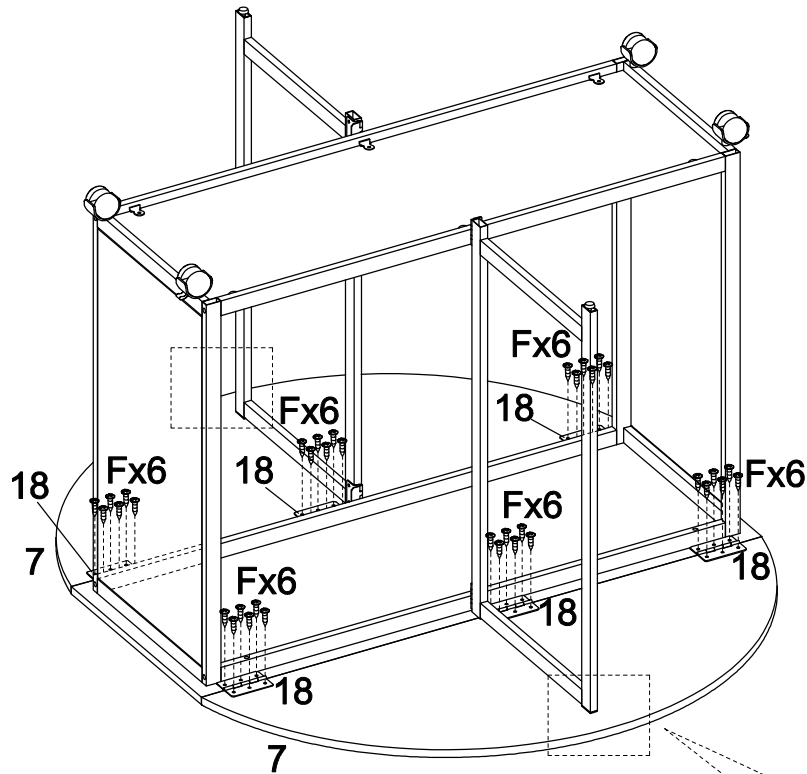
Px1

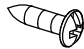



THE USE OF POWER TOOLS TO ASSEMBLE THIS PRODUCT WILL INVALIDATE ANY CLAIM AND MAY DAMAGE THIS PRODUCT MAKING IT UNSAFE

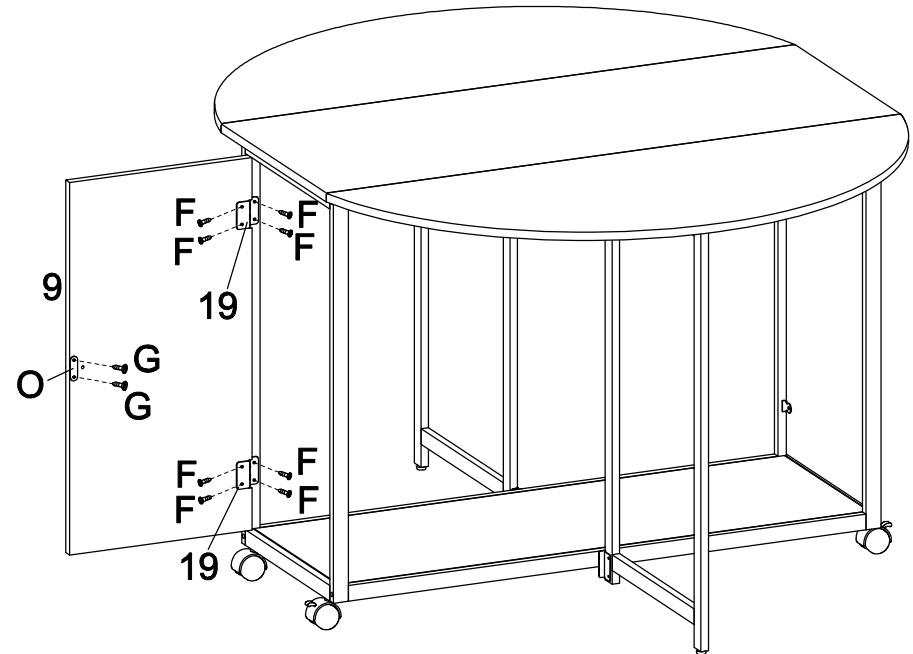


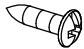


STEP-9



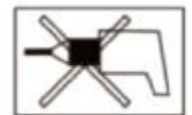
Fx36	Ix2
	

STEP-10

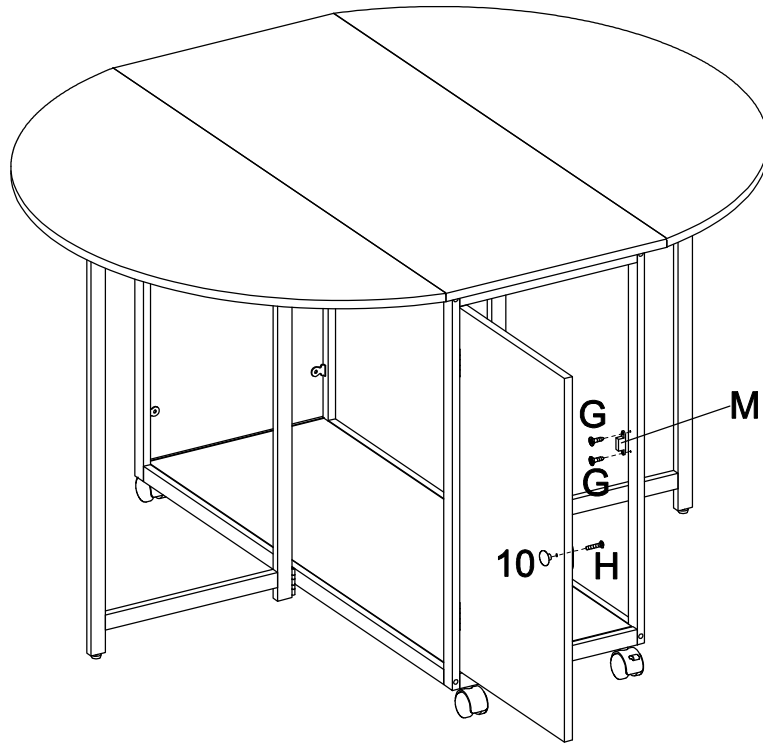


Fx8	Gx2	Ox1
		

THE USE OF POWER TOOLS TO ASSEMBLE THIS PRODUCT WILL INVALIDATE ANY CLAIM AND MAY DAMAGE THIS PRODUCT MAKING IT UNSAFE



STEP-11



Gx2



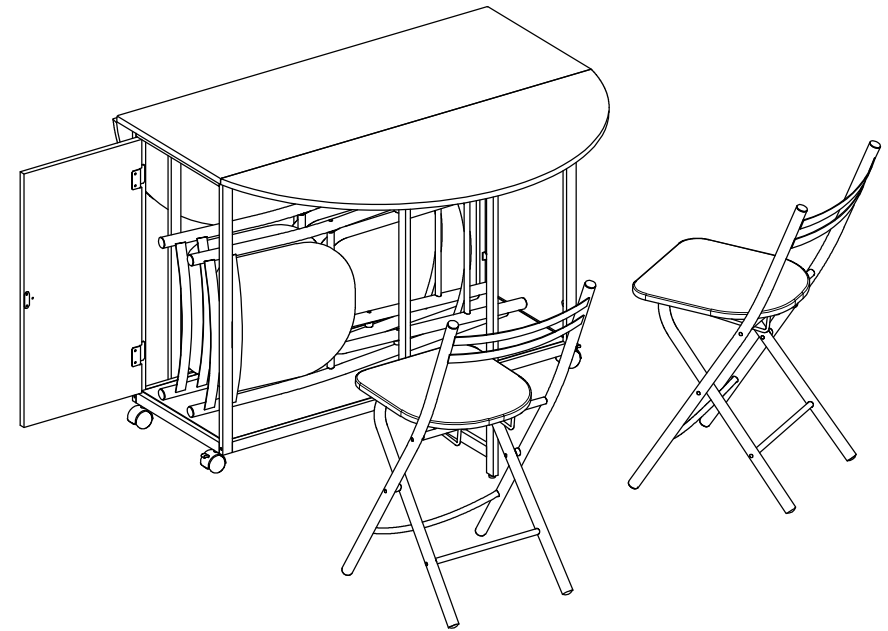
Hx1



Mx1



STEP-12



THE USE OF POWER TOOLS TO ASSEMBLE THIS PRODUCT WILL INVALIDATE ANY CLAIM AND MAY DAMAGE THIS PRODUCT MAKING IT UNSAFE

