



Birlea

Suppliers of inspiration

Assembly Instructions

Thank you for
purchasing a
Birlea product.

For a chance to win a Love 2 Shop voucher simply post a picture of your new product on your preferred social channels tagging Birlea Furniture and using the hashtag **#ShareYourStyle** and **#Birlea**. One winner will be selected at random each month.

To view our full terms and conditions please visit www.birlea.com

Are you happy with your purchase?

Yes: That's great, we would love to hear more from you. Please leave us a review on our social media channels or Trustpilot. Your feedback will be greatly appreciated.

No: If for any reason there is something missing, indifferent or incorrect with your order, please contact the retailer you purchased the item from. We will work with the retailer to resolve your issue as quickly as possible.



OSLO 6 DRAWER CHEST

Assembly Instructions

Before you begin...

1. Please check in your desired room of use.
2. Unpack all boxes and lay out each component on the floor.
3. Check your product for any damage that may be immediately obvious. If damage is identified, please contact your retailer.
4. Please read through these instructions thoroughly to ensure you have constructed your bed correctly.

For Care and Maintenance of your bed...

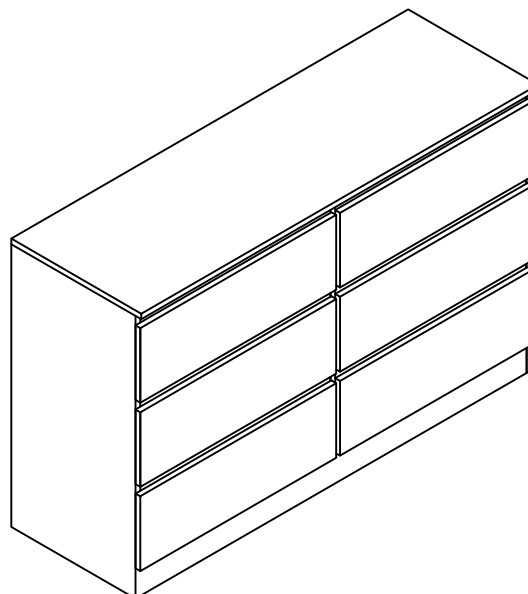
- Always assemble in your desired room of use.
- Always check all screw and fixings periodically to ensure they are still secure.
- Do not push or pull this product as it will cause damage.
- Always lift this product with a second person to prevent damage or injury.
- Keep any sharp objects away from this product.

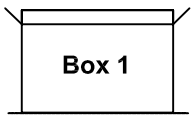
For your Health and Safety...

- Do not use this bed if you find missing, damaged or worn parts. Please contact your retailer.
- Please do not use this bed until you have fully secure all fixings.
- Please keep all small components away from children.
- Always use on a level even surface.

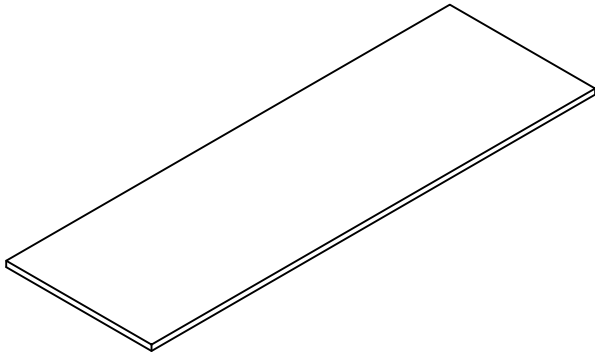
Also...

If your desired room of choice has a non-carpeted surface ensure please that you use some form of anti-slip protection and **do not** place directly on the wooden floor. This will prevent the item from moving and therefore collapsing which will void your guarantee...

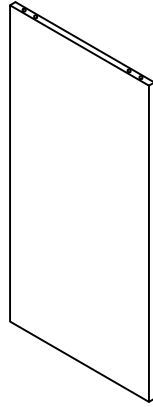




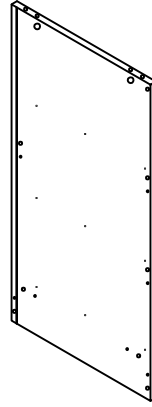
Box 1



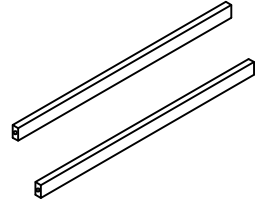
1. Top Panel (x1)



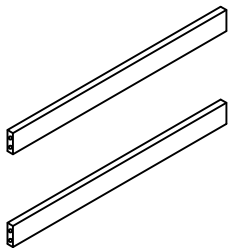
2. Right Side Panel (x1)



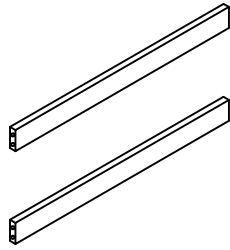
3. Left Side Panel (x1)



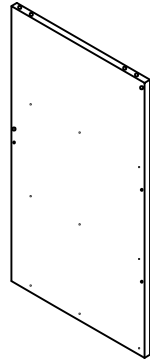
4. Top Support Bar (x2)



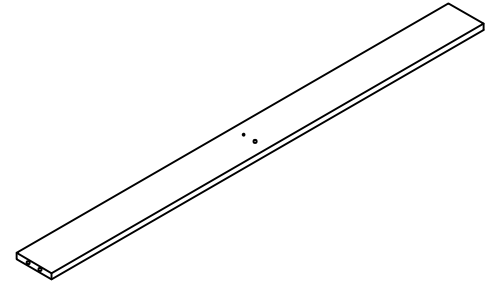
5. Drawer Support Bar (L) (x2)



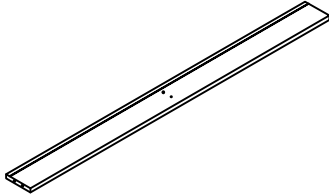
6. Drawer Support Bar (R) (x2)



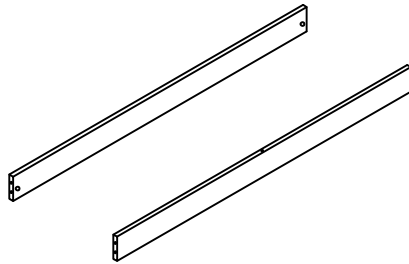
7. Middle Panel (x1)



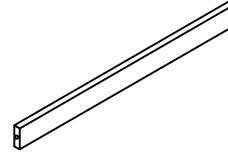
8. Front Support Panel (x1)



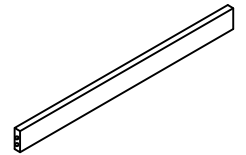
9. Back Support Panel (x1)



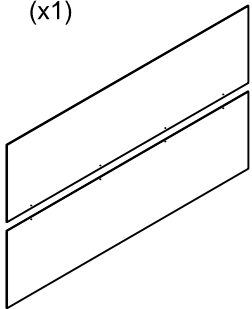
10. Legs Panel (x2)



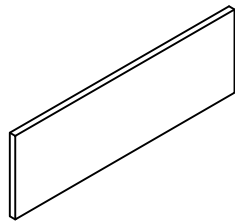
11. Back Inner Panel (R) (x1)



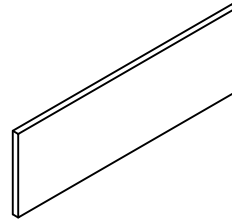
12. Back Inner Panel (L) (x1)



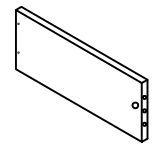
13. Back Panel (x2)



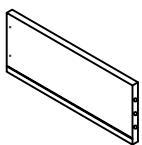
14. Drawer Front Panel (L) (x3)



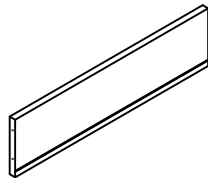
15. Drawer Front Panel (R) (x3)



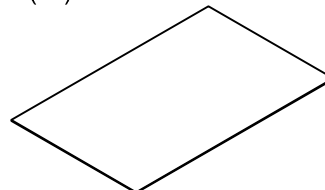
16. Drawer Side Panel (L) (x6)



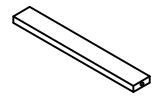
17. Drawer Side Panel (R) (x6)



18. Drawer Back Panel (x6)



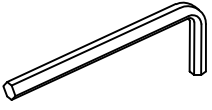
19. Drawer Bottom Panel (x6)



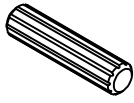
20. Drawer Support Bar (x6)

Hardware

All fitting are stored within Box 1



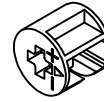
A.Allen Key (x1)



B.Wood Dowel (x67)



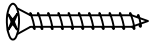
C.Minifix Bolt (x44)



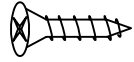
D.Minifix Housing (x44)



E.Minifix Cap (x44)



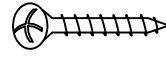
F.CSK Screw M4x50mm (x24)



G.CSK Screw M3.5x16mm (x80)



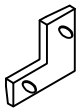
H.Drawer Slider (x6)



I.CSK Screw M4x18mm (Black) (x8)



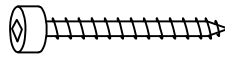
J.White Nail Leg (x6)



K.L Bracket (x4)



L.H Profile (x1)

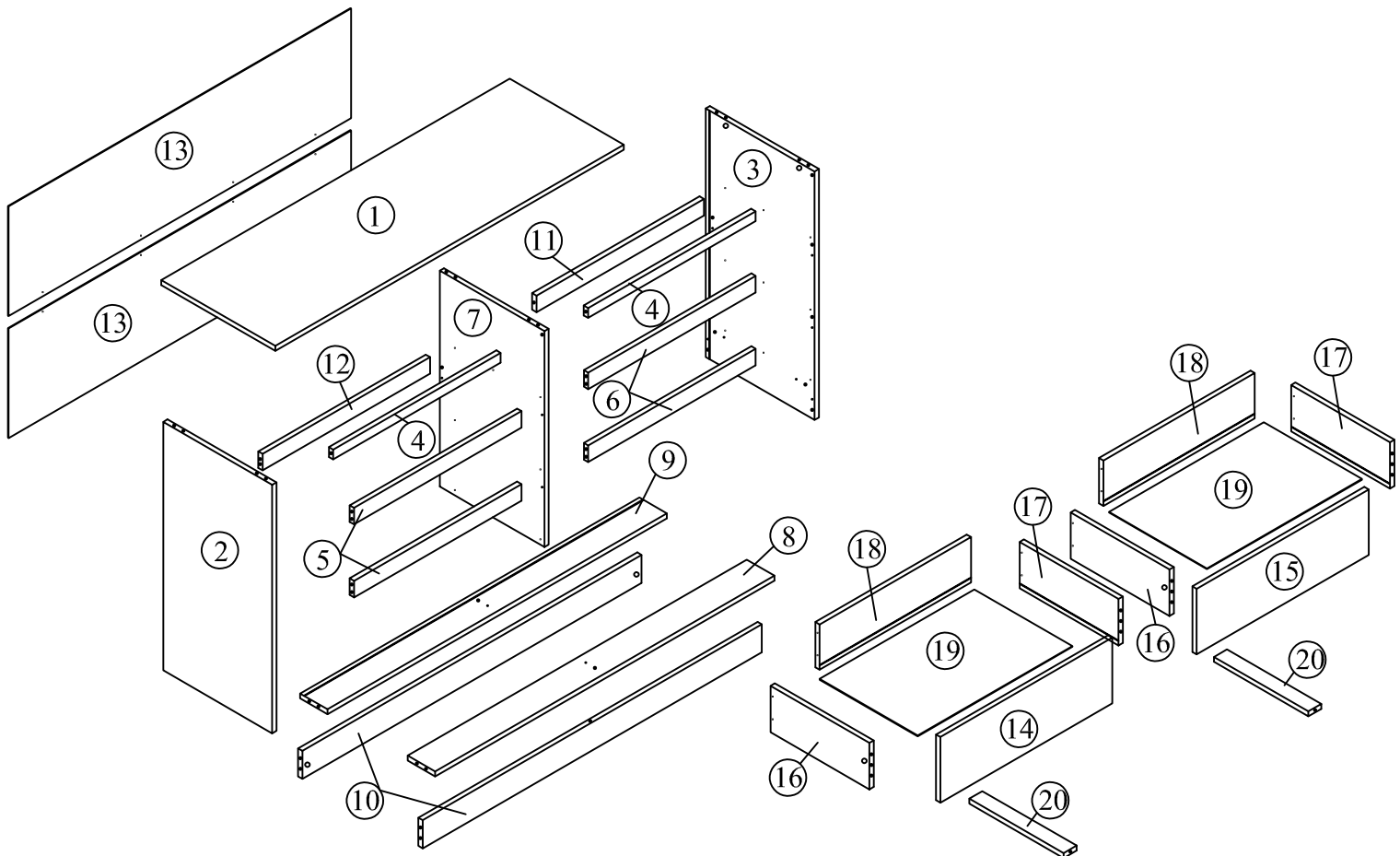


M.JCBC W M6x40mm (x2)

***You will need a screwdriver (not provided)**

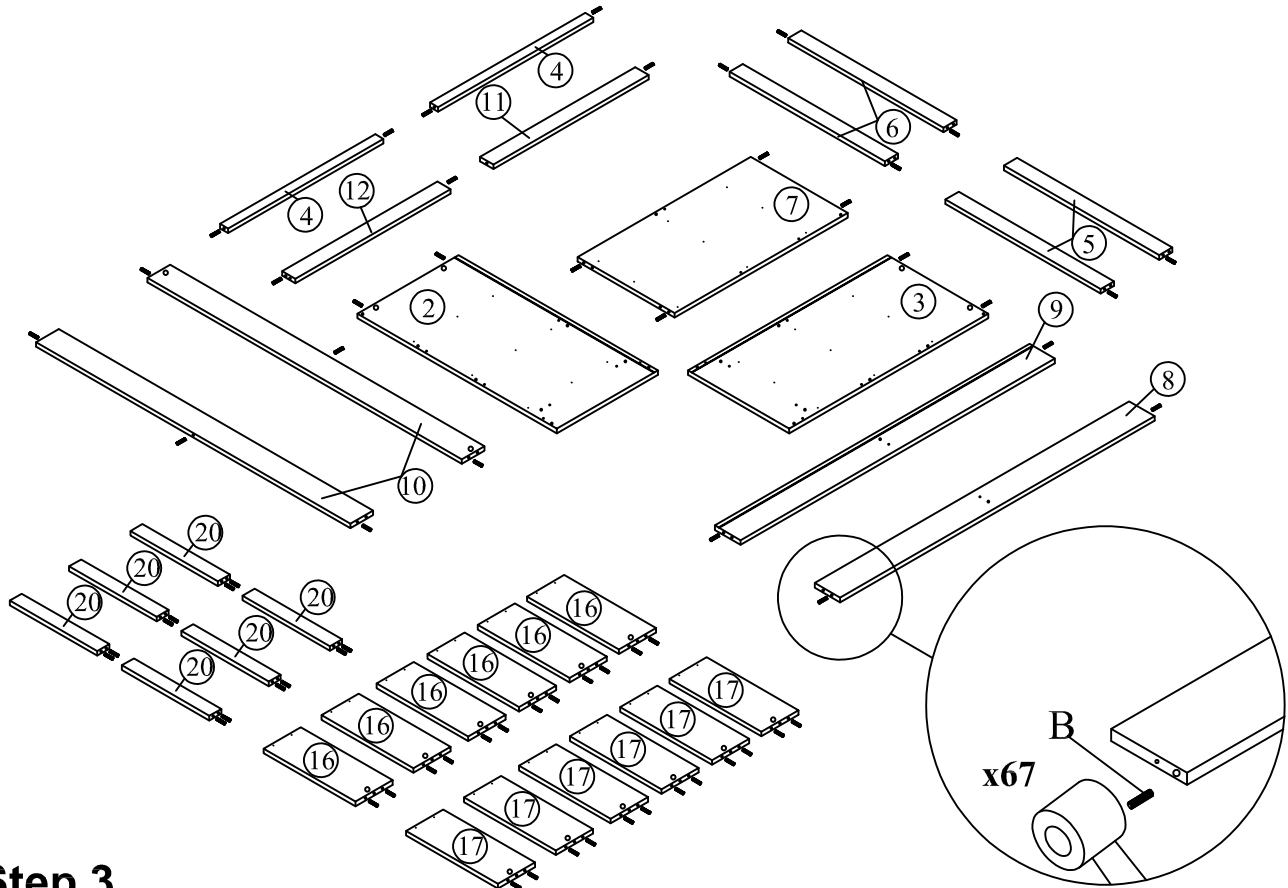
Step 1

Unpack all components from the boxes and check you are not missing anything.Please check these against the list on page 3 & 4.Should you identify any missing components,please contact the retailer you purchased the item from.



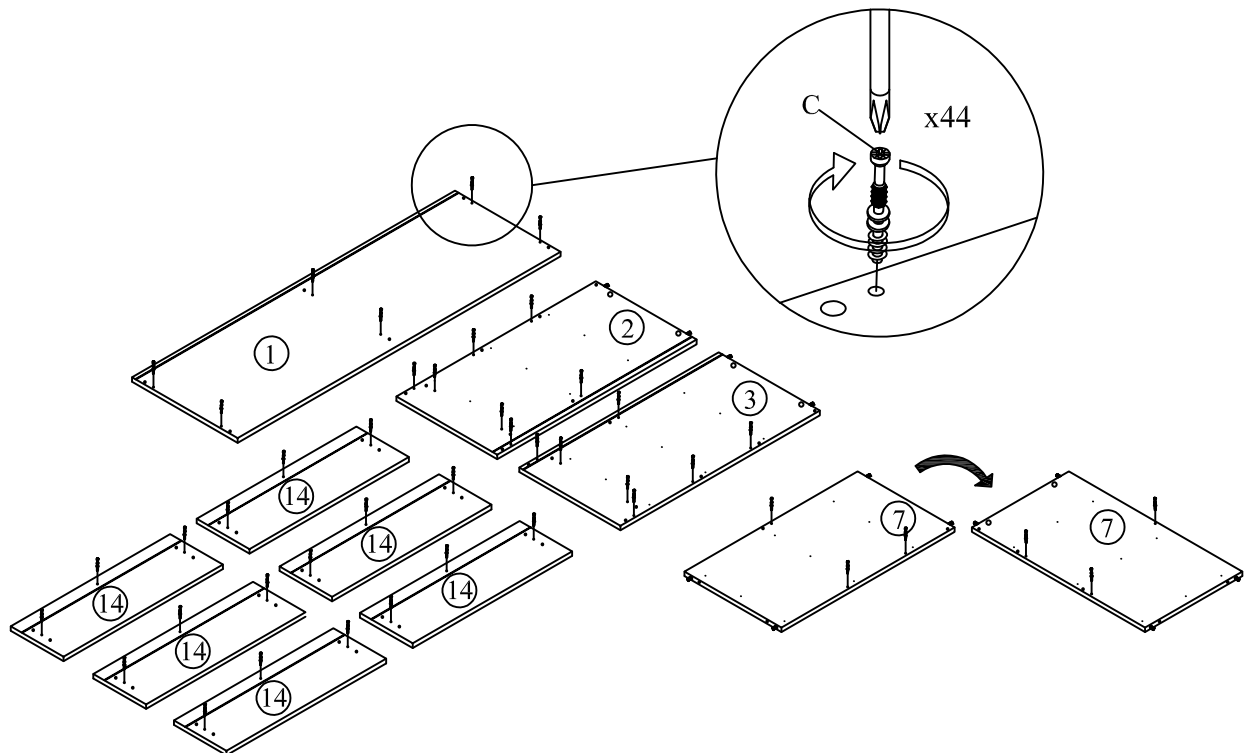
Step 2

Attach the 67x Wood Dowel (B) to the all parts as shown.



Step 3

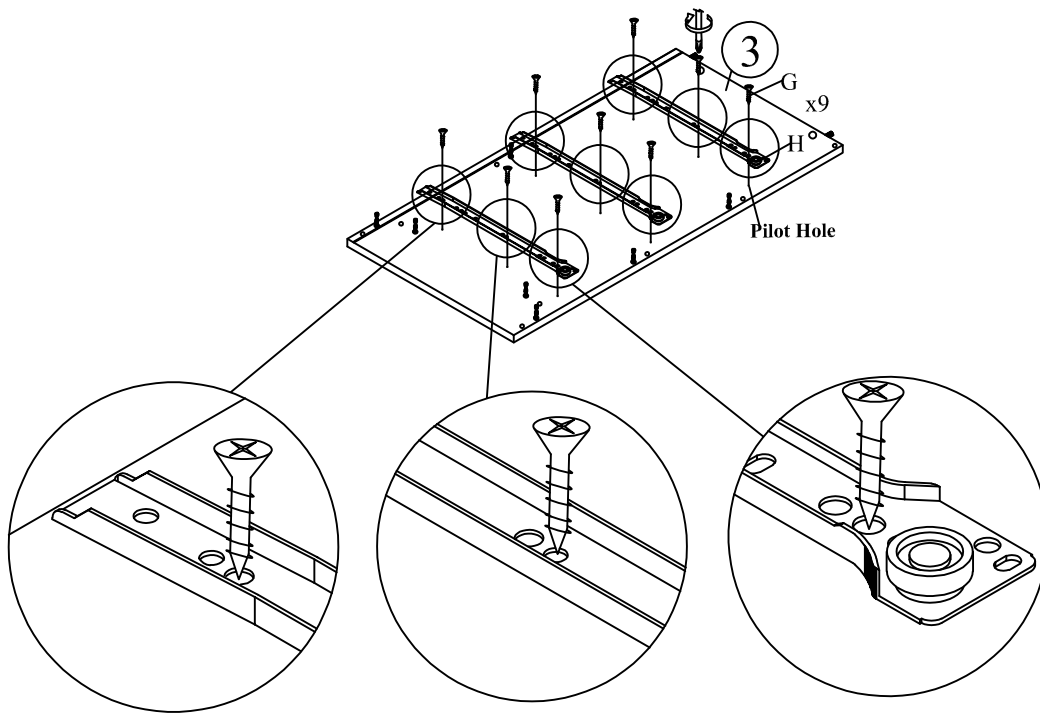
Attach the 44x Minifix Bolt (C) to the all parts as shown.



DO NOT use any power tools as this may damage the frame and will invalidate any claim.

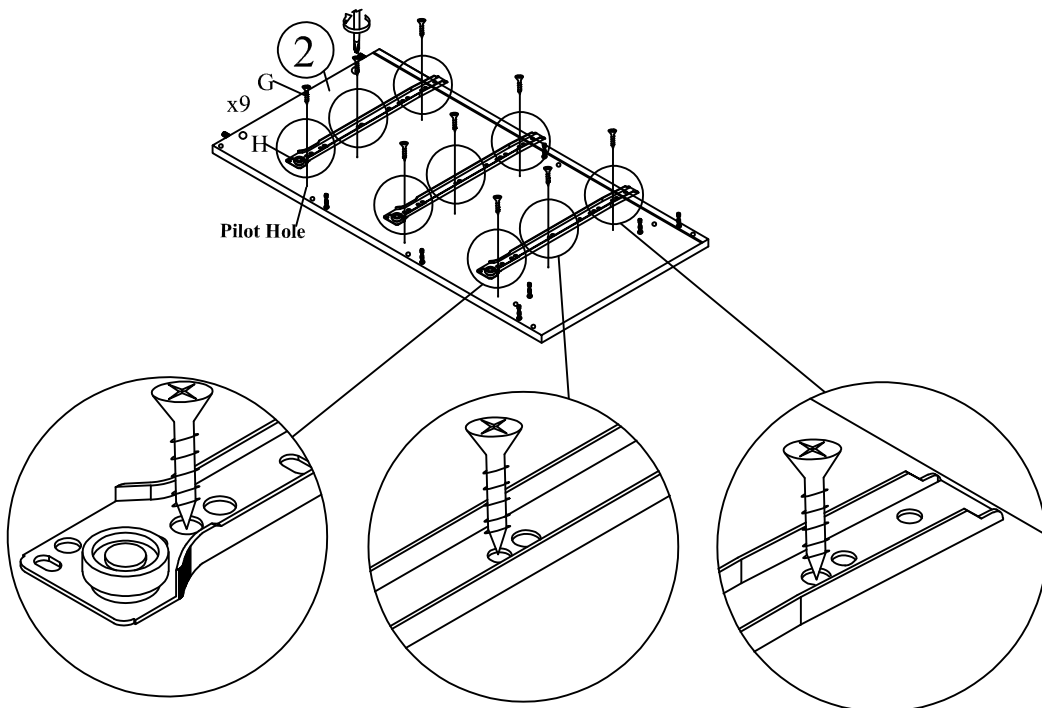
Step 4

Attach the 3x Drawer Slider (H) to 1x Right Side Panel (3) using 9x CSK Screw M3.5x16mm (G).



Step 5

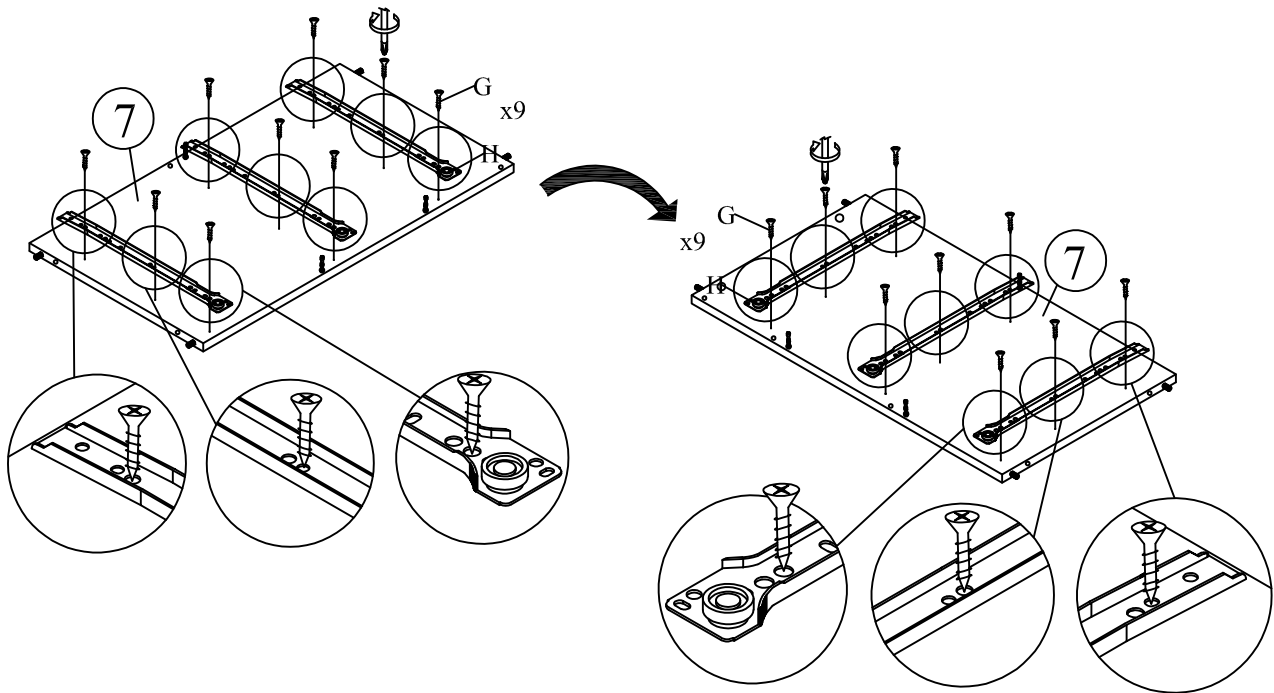
Attach the 3x Drawer Slider (H) to 1x Left Side Panel (2) using 9x CSK Screw M3.5x16mm (G).



DO NOT use any power tools as this may damage the frame and will invalidate any claim.

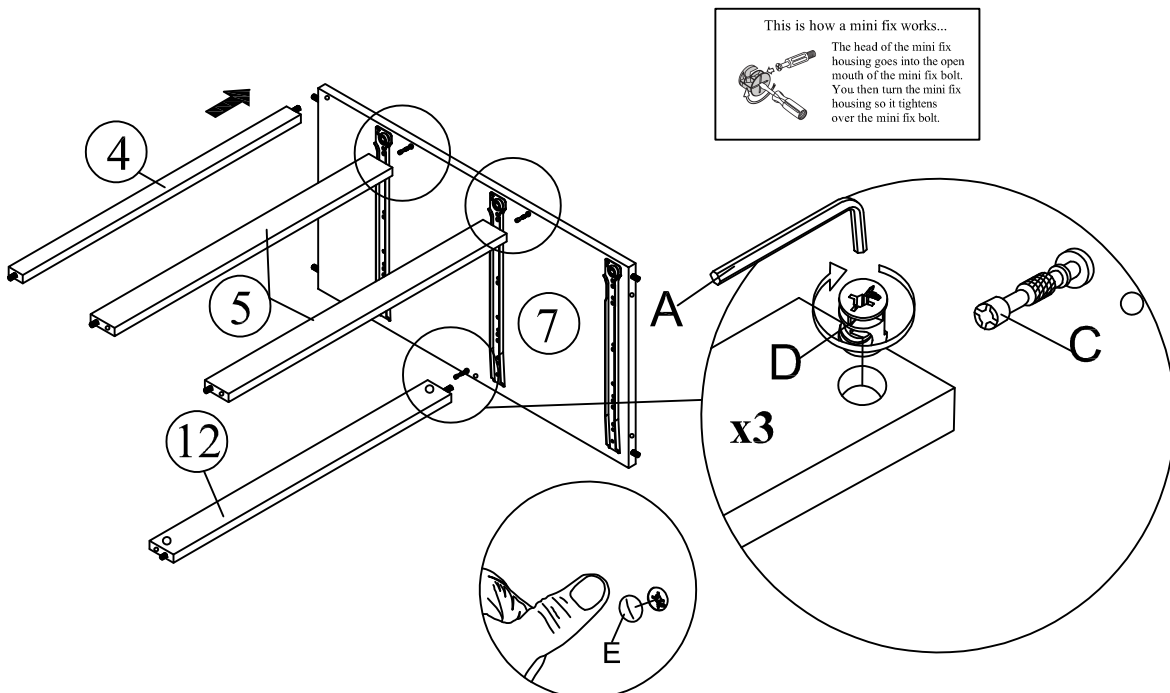
Step 6

Attach the 3x Drawer Slider (H) to 1x Middle Panel (3) using 9x CSK Screw M3.5x16mm (G). Flip to other side and repeat same action.



Step 7

Attach the 1x Top Support Bar (4) and 2x Drawer Support Bar (L) (5) and 1x Back Inner Panel (L) (12) to 1x Middle Panel (7) using 3x Minifix Bolt (C) and 3x Minifix Housing (D) and 3x Minifix Cap (E). Turn the 3x Minifix Housing (D) to tighten using the 1x Allen Key (A) or screwdriver (not Provided). Cover the 3x Minifix Housing (D) using the 3x Minifix Cap (E) by pressing it into the Minifix House.

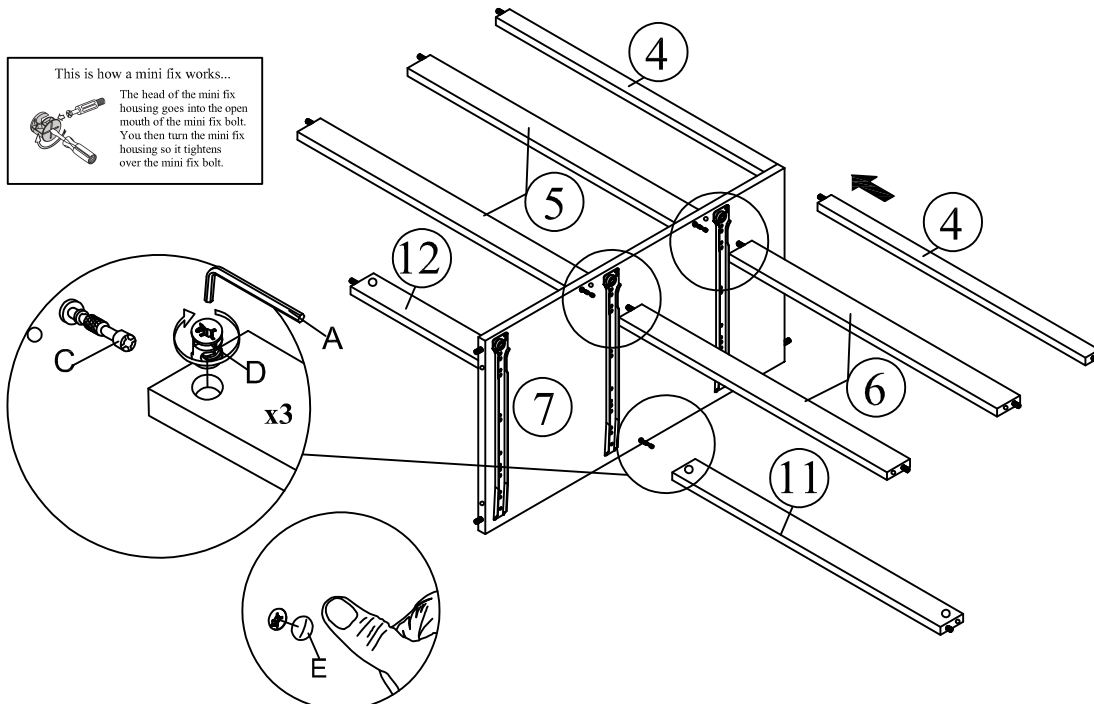


*Attach Minifix Cap as shown.

DO NOT use any power tools as this may damage the frame and will invalidate any claim.

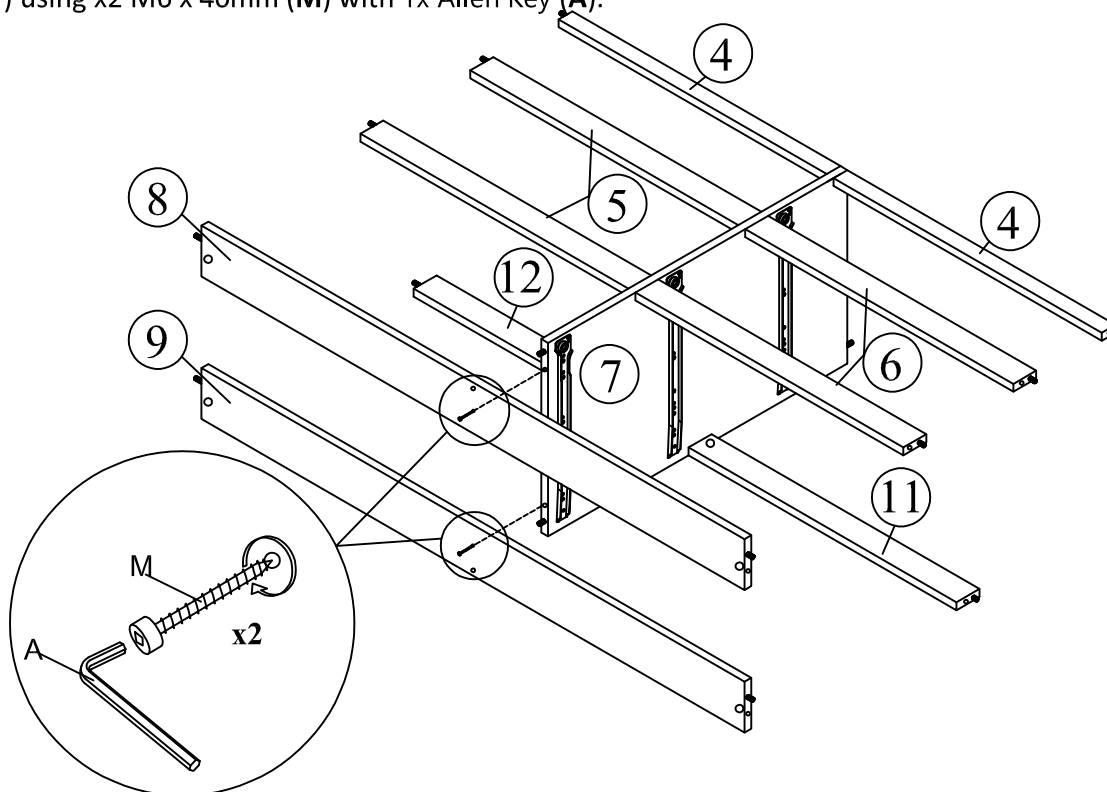
Step 8

Attach the 1x Top Support Bar (4) and 2x Drawer Support Bar (R) (6) and 1x Back Inner Panel (R) (11) to 1x Middle Panel (7) using 3x Minifix Bolt (C) and 3x Minifix Housing (D) and 3x Minifix Cap (E). Turn the 3x Minifix Housing (D) to tighten using the 1x Allen Key (A) or screwdriver (not Provided). Cover the 3x Minifix Housing (D) using the 3x Minifix Cap (E) by pressing it into the Minifix House.



Step 9

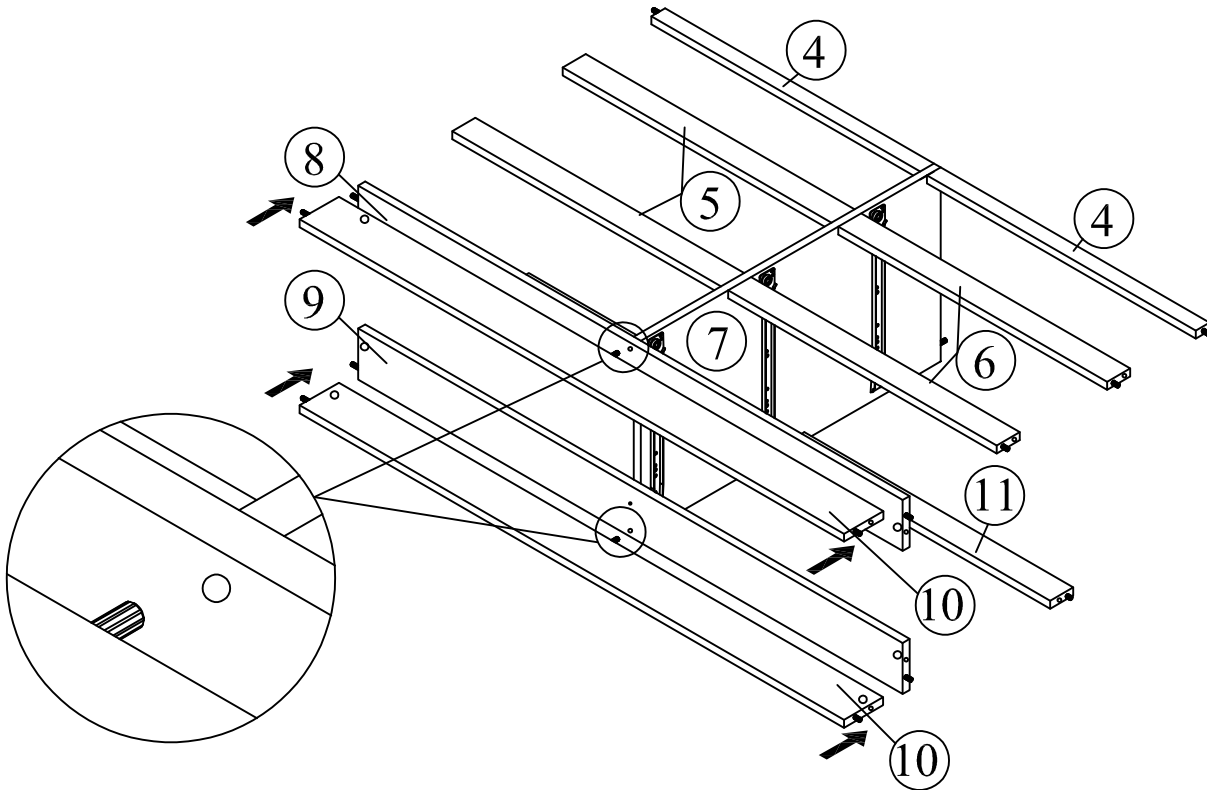
Attach the 1x Front Support Panel (8) and 1x Back Support Panel (9) to the bottom at 1x Middle Panel (7) using x2 M6 x 40mm (M) with 1x Allen Key (A).



DO NOT use any power tools as this may damage the frame and will invalidate any claim.

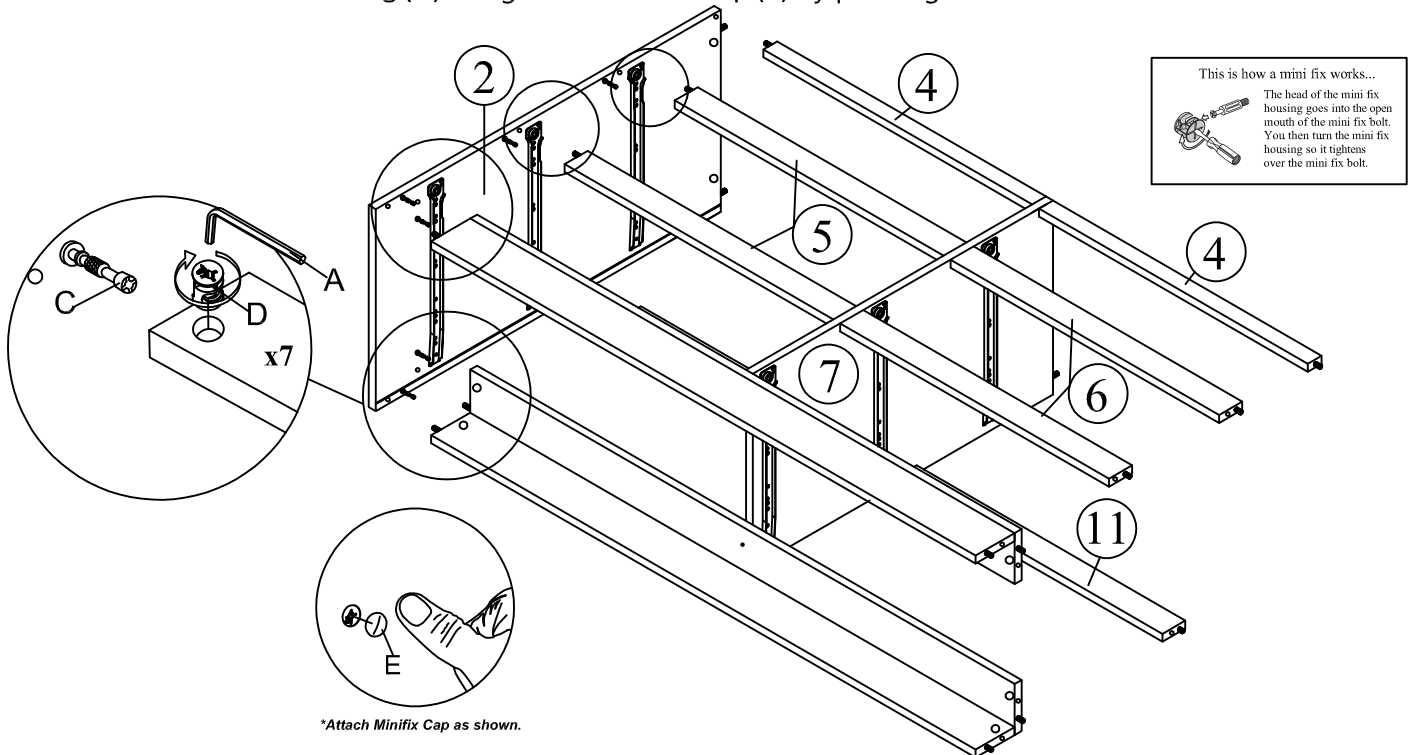
Step 10

Slot the 2x Legs Panel (10) at 1x Front Support Panel (8) and 1x Back Support Panel (9).



Step 11

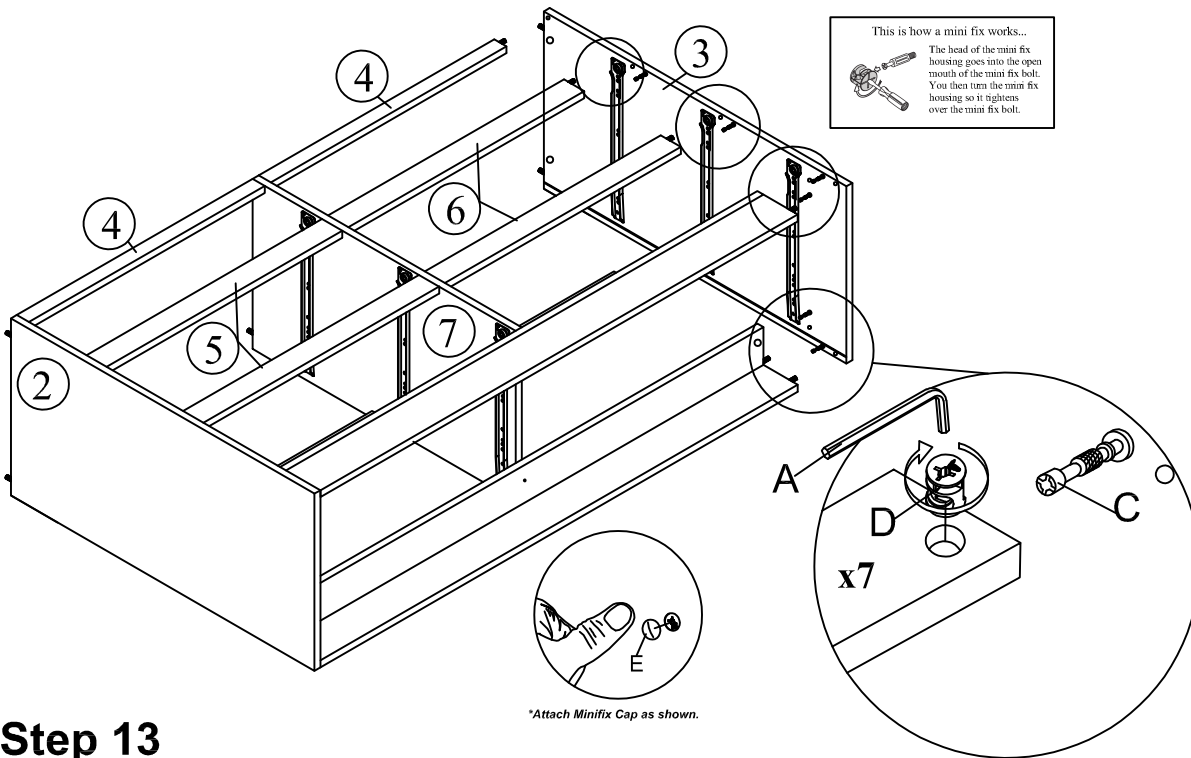
Attach the 1x Top Support Bar (4) and 2x Drawer Support Bar (L) (5) and 1x Back Inner Panel (L) (12) to 1x Left Side Panel (2) using 7x Minifix Bolt (C) and 7x Minifix Housing (D) and 7x Minifix Cap (E). Turn the 7x Minifix Housing (D) to tighten using the 1x Allen Key (A) or screwdriver (not Provided). Cover the 7x Minifix Housing (D) using the 7x Minifix Cap (E) by pressing it into the Minifix House.



DO NOT use any power tools as this may damage the frame and will invalidate any claim.

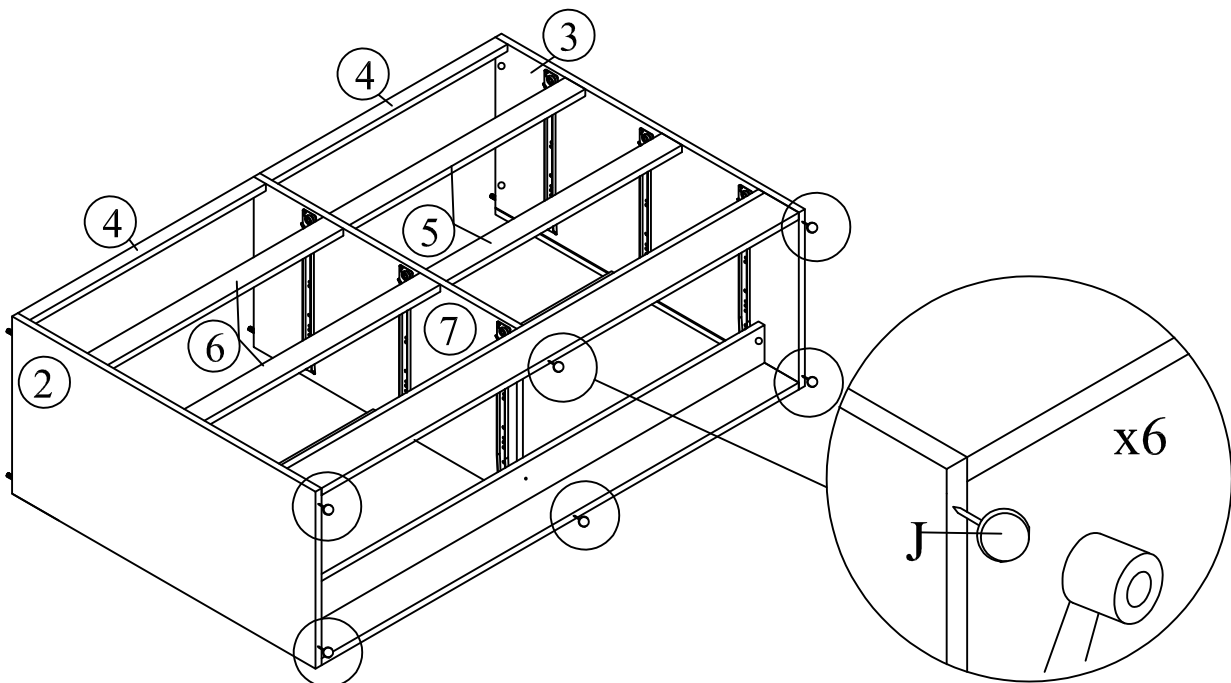
Step 12

Attach the 1x Top Support Bar (4) and 2x Drawer Support Bar (R) (6) and 1x Back Inner Panel (R) (11) to 1x Right Side Panel (3) using 7x Minifix Bolt (C) and 7x Minifix Housing (D) and 7x Minifix Cap (E). Turn the 7x Minifix Housing (D) to tighten using the 1x Allen Key (A) or screwdriver (not Provided). Cover the 7x Minifix Housing (D) using the 7x Minifix Cap (E) by pressing it into the Minifix House.



Step 13

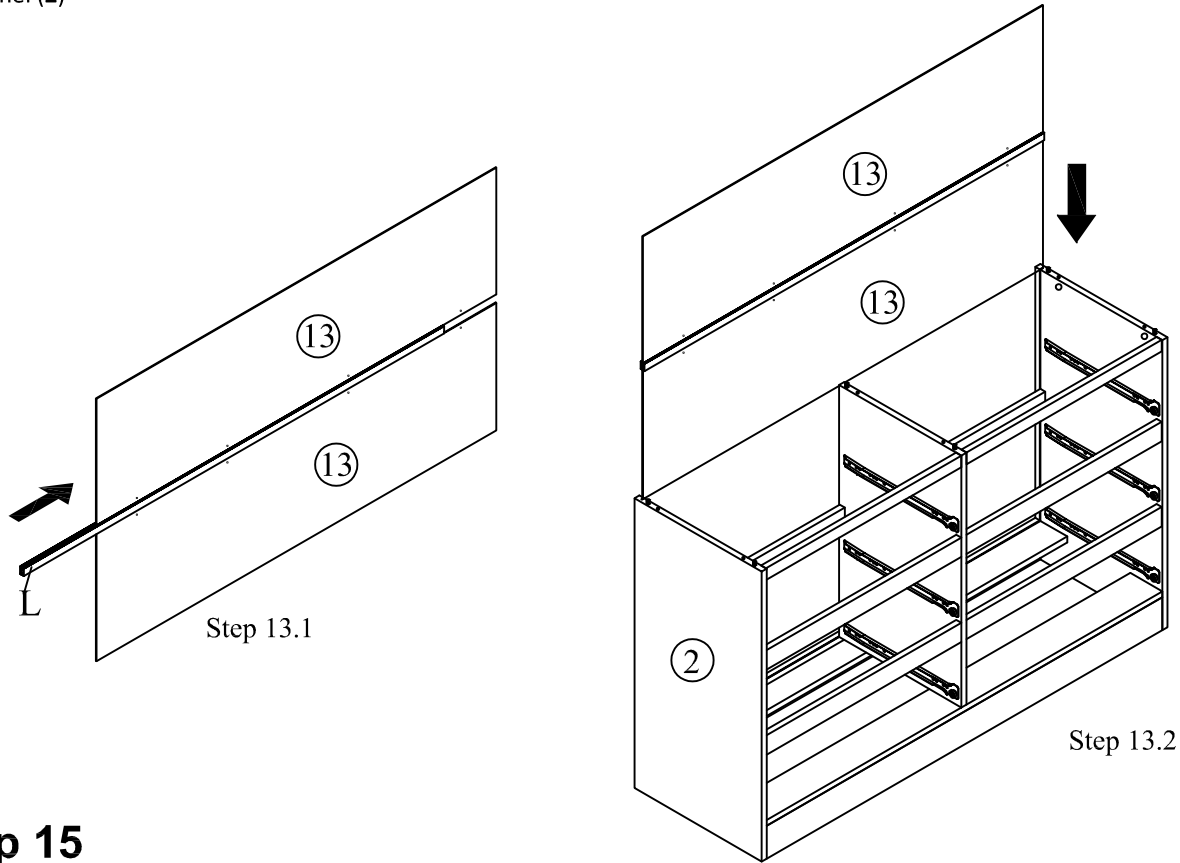
Attach the 6x White Nail (J) to 1x Left Side Panel (2), 1x Right Side Panel (3) and 2x Legs Panel (10) using Hammer.



DO NOT use any power tools as this may damage the frame and will invalidate any claim.

Step 14

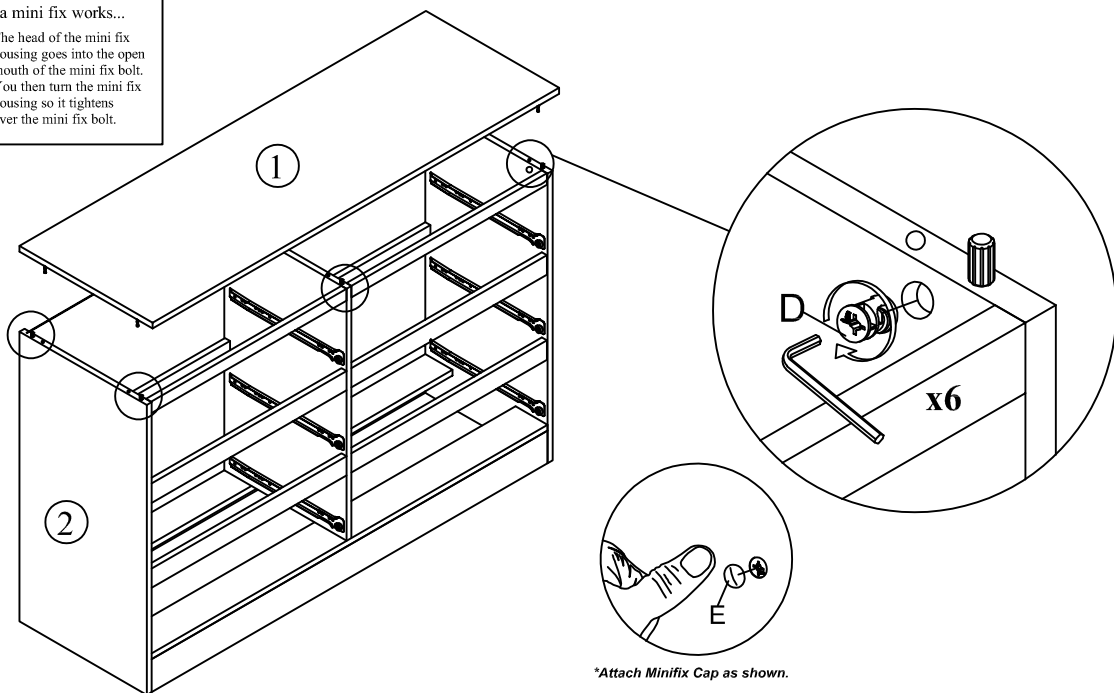
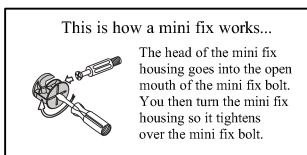
Slot the 1x H Profile (L) in between 2x Back Panel (13), then slot in the slide at 1x Right Side Panel (3) and 1x Left Side Panel (2)



Step 15

Attach the 1x Top Panel (1) to 1x Right Side Panel (3) and 1x Left Side Panel (2) using 6x Minifix Bolt (C) and 6x Minifix Housing (D) and 6x Minifix Cap (E). Turn the 6x Minifix Housing (D) to tighten using the 1x Allen Key (A) or screwdriver (not Provided).

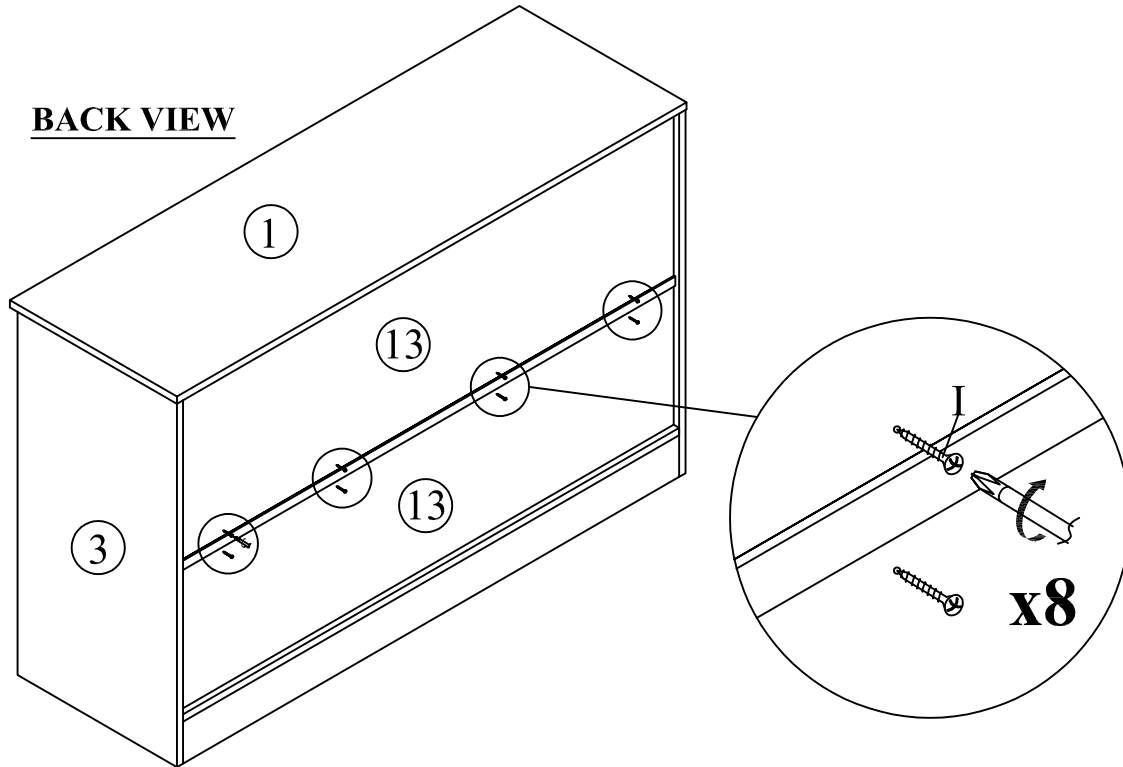
Cover the 6x Minifix Housing (D) using the 6x Minifix Cap (E) by pressing it into the Minifix House.



DO NOT use any power tools as this may damage the frame and will invalidate any claim.

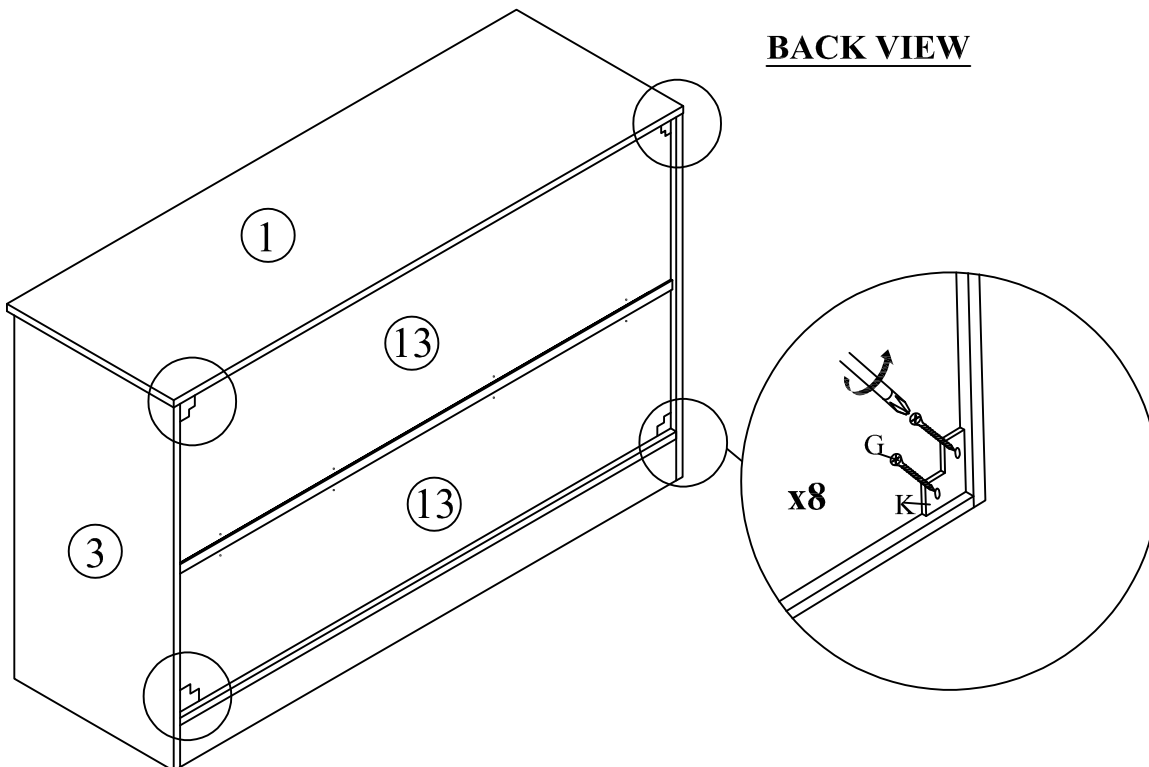
Step 16

Tighten the 8x CSK Screw M4x18mm (Black) (I) to 2x Back Panel (13) with a screwdriver (not Provided).



Step 17

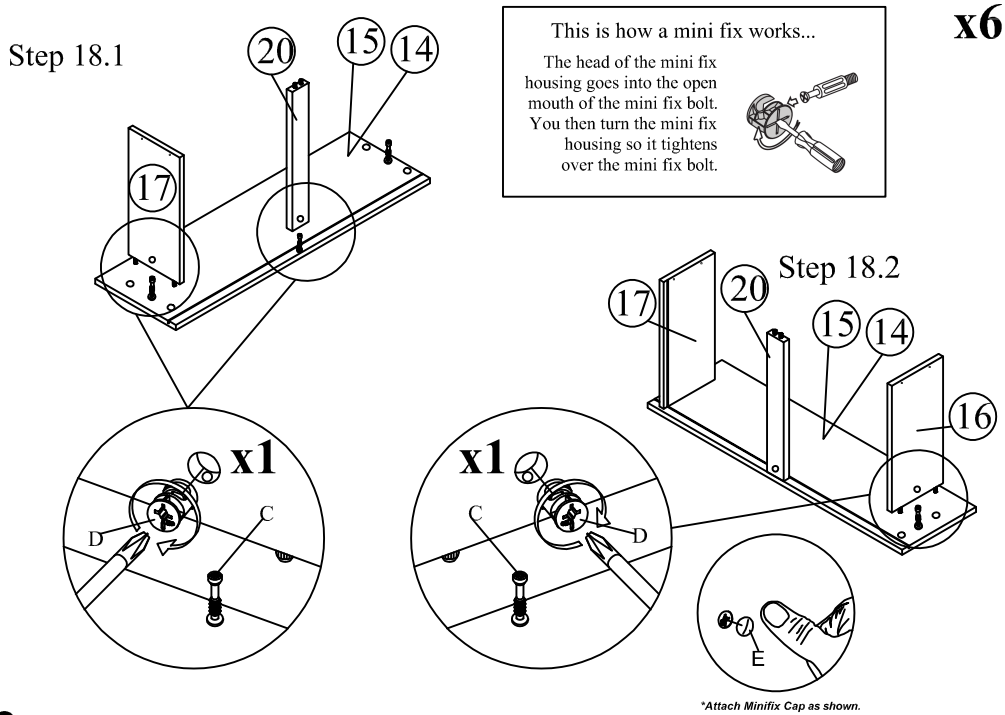
Attach the 4x L Bracket (K) to 1x Right Side Panel (3), 1x Left Side Panel (2), 1x Top Panel (1) and 1x Back Support Panel (9) using 8x CSK Screw M3.5x16mm (G) with a screwdriver (not Provided).



DO NOT use any power tools as this may damage the frame and will invalidate any claim.

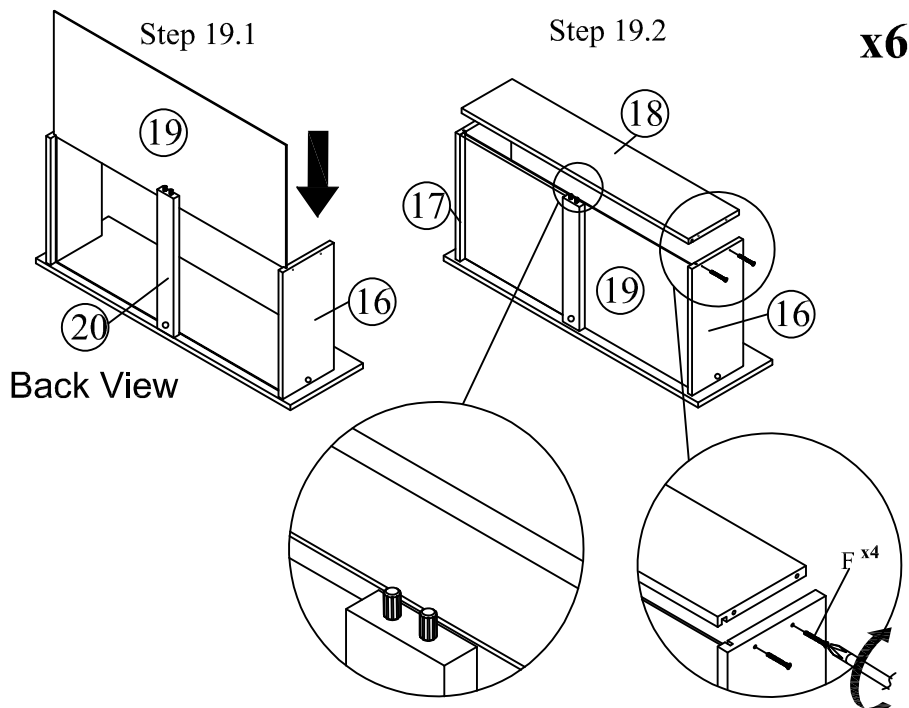
Step 18

Attach the 6x Drawer Side Panel (R) (17), 6x Drawer Side Panel (L) (16) and 6x Drawer Support Bar (20) to 6x Drawer Front Panel (14,15) using 18x Minifix Bolt (C) and 18x Minifix Housing (D) and 18x Minifix Cap (E). Turn the 18x Minifix Housing (D) to tighten using the 1x Allen Key (A) or screwdriver (not Provided). Cover the 18x Minifix Housing (D) using the 18x Minifix Cap (E) by pressing it into the Minifix House.



Step 19

Slot 6x Bottom Panel (19) to 6x Drawer Side Panel (L) (16) and 6x Drawer Side Panel (R) (17) then tighten 6x Drawer Back Panel (18) using 24x CSK Screw M4x50mm (F).



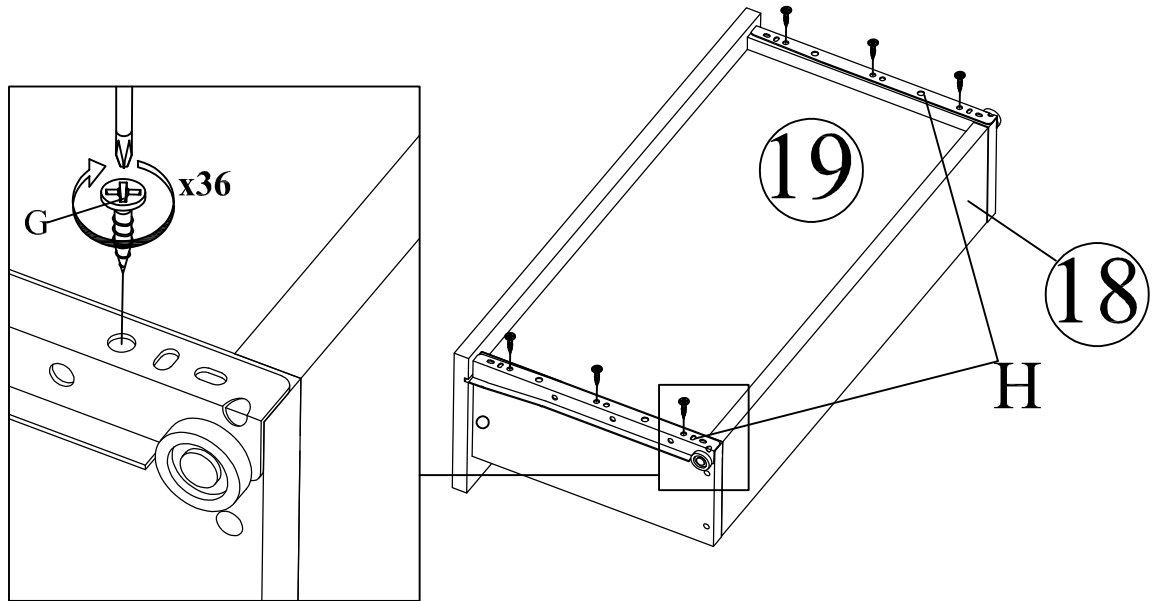
DO NOT use any power tools as this may damage the frame and will invalidate any claim.

Step 20

Tighten the 36x CSK Screw M3.5x16mm (G) to 6x Drawer Slider (H) and to the Side Panel (L/R) as shown.

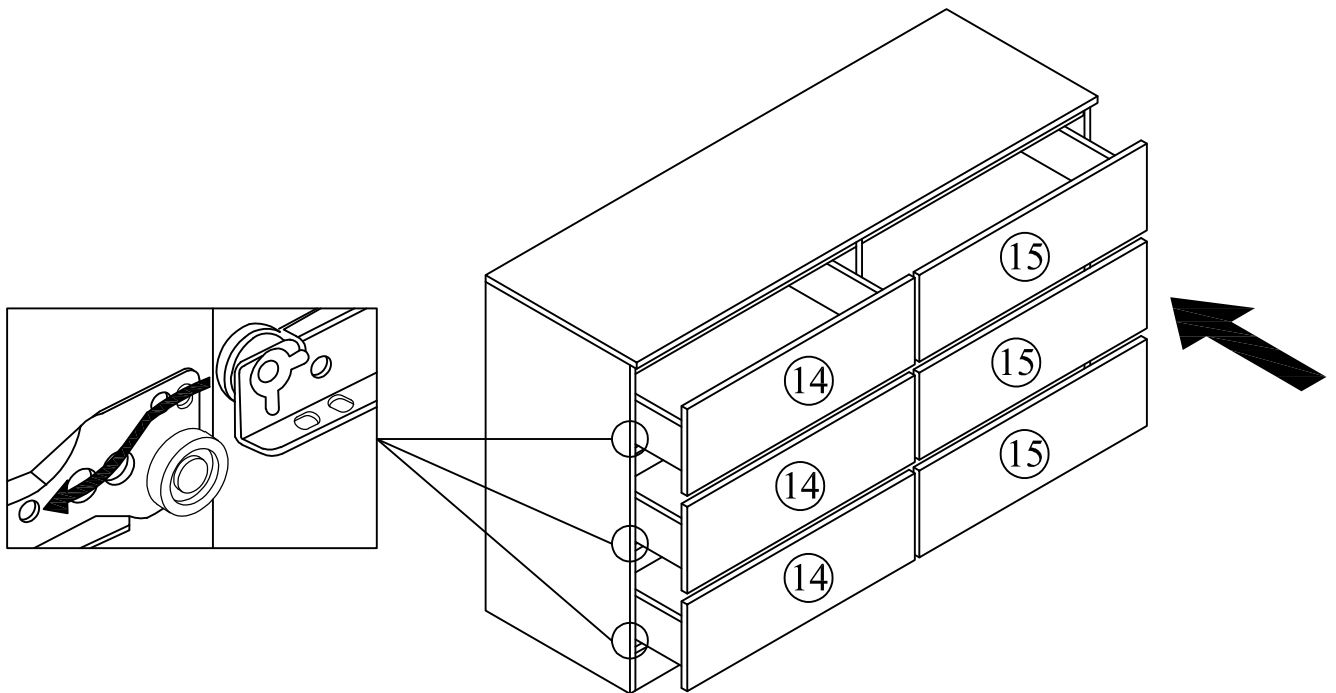
Back View

x6

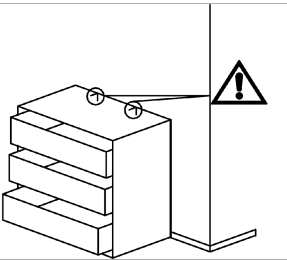
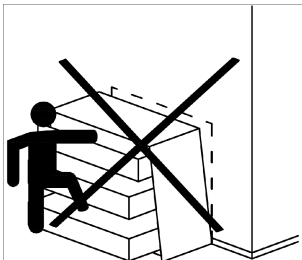


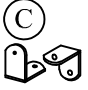



Step 21

Slide the all drawer to the slider as shown.

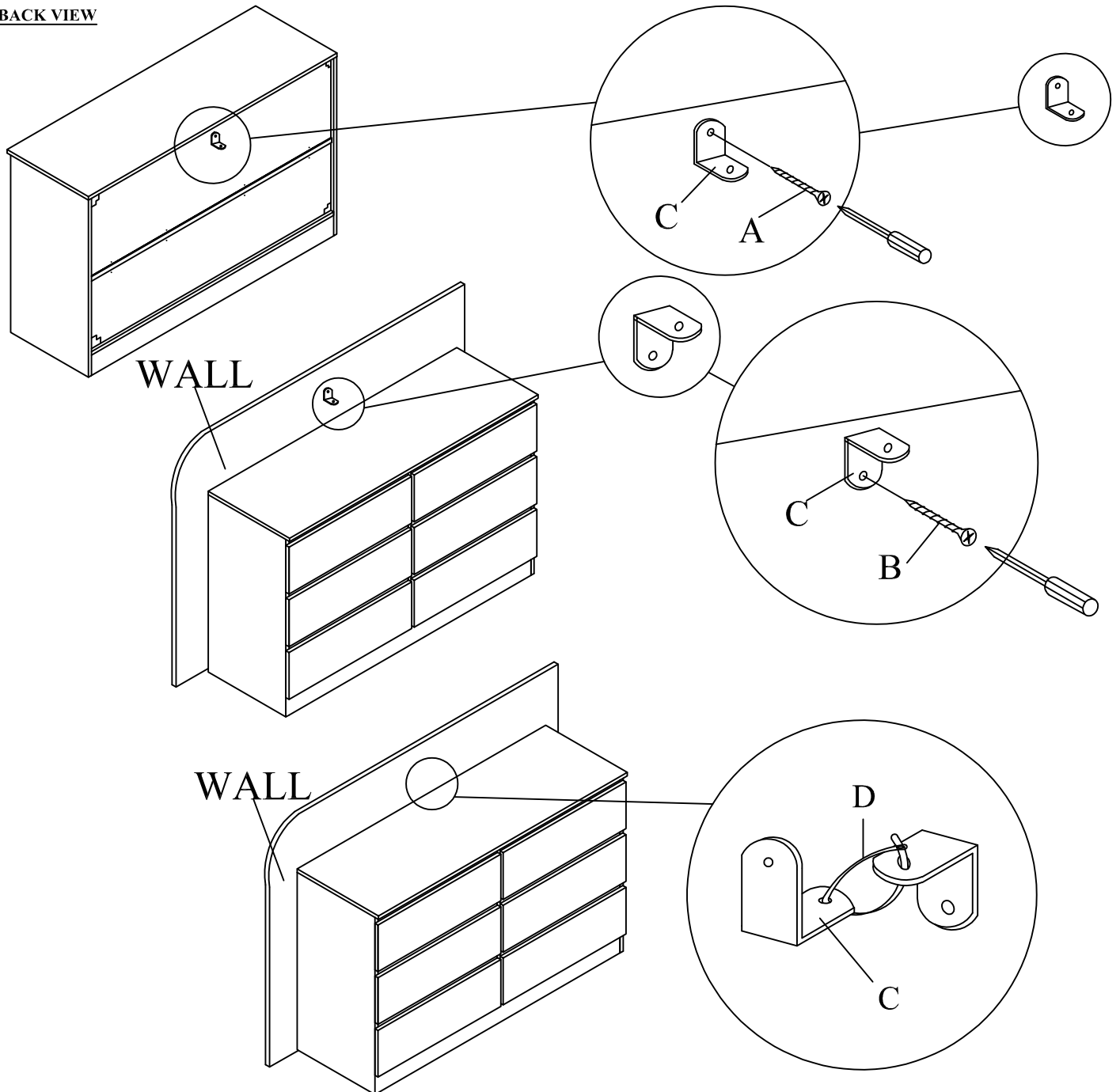


DO NOT use any power tools as this may damage the frame and will invalidate any claim.

Anti - Tipping	(A)	(B)	(C)	(D)	 
	 CSK Screw M3.5x16mm 1PC	 CSK Screw M4x50mm 1PC	 L BRACKET 2PCS	 CABLE TIE 1PC	

*Birlea Furniture advise you use the hardware Anti tipping are provided to further enhance the safety of this product .

BACK VIEW



DO NOT use any power tools as this may damage the frame and will invalidate any claim.