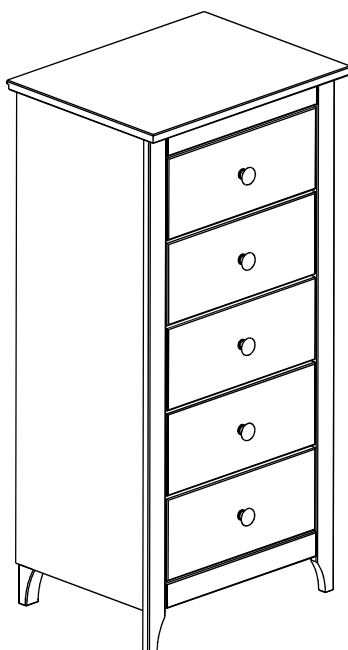


# OSLO 5 DRAWER NARROW CHEST ASSEMBLY INSTRUCTIONS



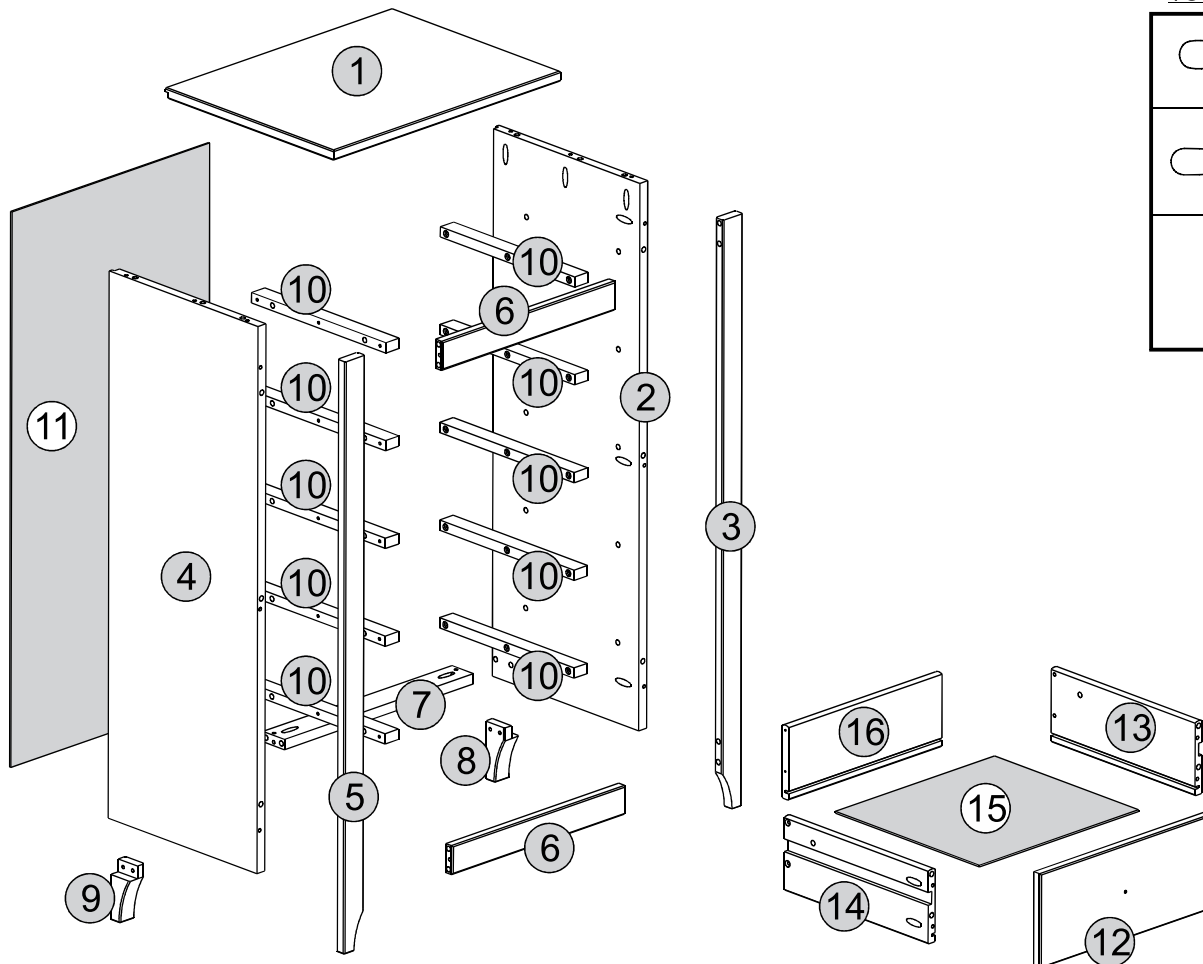
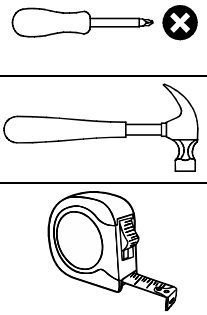
**IMPORTANT**  
**FOR DOMESTIC USE ONLY**  
PLEASE READ BEFORE YOU CONTINUE FURTHER

## CARE AND MAINTENANCE

After unpacking this product please keep the original packaging in case it needs to be returned for any reason.

- Please ensure all fittings and parts are present before commencing with assembly.
- Never drag or push products as this could cause damage to the joints making it inferior.
- We strongly recommend that you keep children away from your work area.
- We recommend that you lay a blanket or sheet on the floor to avoid damage to both your floor and the product.
- Assemble this product as close to its final position as possible.
- Do not place this product next to a radiator or in direct sunlight.
- Do not drag or push items across your high gloss furniture as this may cause the surface to scratch
- Wood is a natural product and may expand if subjected to damp and may shrink or crack if subjected to heat. Therefore it is recommended that room temperature is maintained, with no sudden temperature fluctuations.
- Make sure any spillage is wiped off immediately.
- Do not place hot or chilled items directly on to the surface, use a place mat or marking will occur.
- For general cleaning use a soft cotton or micro fibre cloth, and do not use detergents of any kind.
- From time to time it may be necessary to tighten fittings, regular inspections should be carried out.
- Do not place on a wet or damp floor as staining may occur to your floor.

## TOOLS REQUIRED



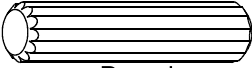


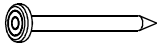

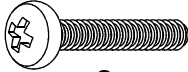



## PARTS LIST

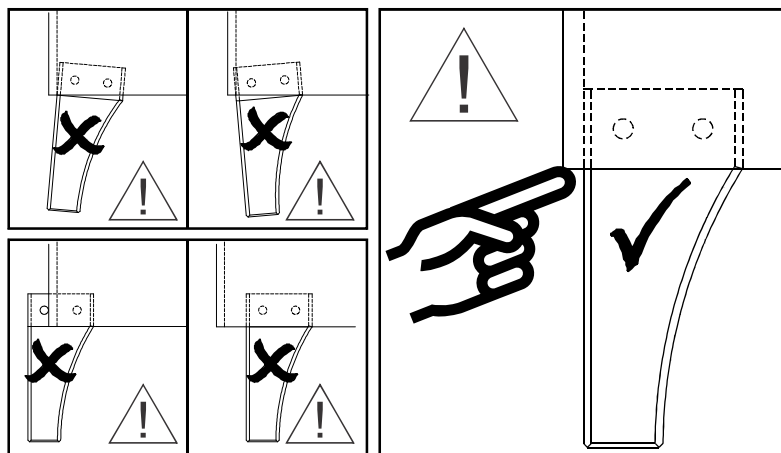
***Please Note:***

The below parts have all been stamped with the part number to help identify them during assembly.

Part Number	Part Code	Part Description	Quantity	Carton
1	S100-102-171-MY1-01	Top Panel	1	1/1
2	S100-102-171-MY1-02	Right Side Panel	1	1/1
3	S100-102-171-MY1-03	Right Front Upright	1	1/1
4	S100-102-171-MY1-04	Left Side Panel	1	1/1
5	S100-102-171-MY1-05	Left Front Upright	1	1/1
6	S100-102-171-MY1-06	Front Crossbeam	2	1/1
7	S100-102-171-MY1-07	Back Crossbeam	1	1/1
8	S100-102-171-MY1-08	Right Back Foot	1	1/1
9	S100-102-171-MY1-09	Left Back Foot	1	1/1
10	S100-102-171-MY1-10	Drawer Runner	10	1/1
11	S100-102-171-MY1-11	Back Panel	1	1/1
12	S100-102-171-MY1-12	Drawer Front	5	1/1
13	S100-102-171-MY1-13	Right Drawer Side	5	1/1
14	S100-102-171-MY1-14	Left Drawer Side	5	1/1
15	S100-102-171-MY1-15	Drawer Bottom	5	1/1
16	S100-102-171-MY1-16	Drawer Back Panel	5	1/1

**FITTINGS LIST**

<p><b>A</b></p>  <p>Dowel Ø8,0 x 30mm (74x) +2</p>	<p><b>B</b></p>  <p>Screw Ø3,5 x 30mm (89x) +2</p>	<p><b>C</b></p>  <p>Flan Head Screw Ø4,0 x 35mm (6x) +1</p>	<p><b>D</b></p>  <p>Nail 8 x 8 (22x) +1</p>
<p><b>E</b></p>  <p>Metal Knob (5x)</p>	<p><b>F</b></p>  <p>Screw ØM4 x 22mm (5x) +1</p>	<p><b>H</b></p>  <p>Washer (2x) +1</p>	<p><b>I</b></p>  <p>Strap (1x)</p>
<p><b>J</b></p>  <p>Glue (1x)</p>			



**PLEASE USE THE ABOVE EXAMPLE TO ASSEMBLE THE FEET ON STEP 2.**

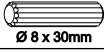
# STEP 1

## PARTS REQUIRED

2 - RIGHT SIDE PANEL x1

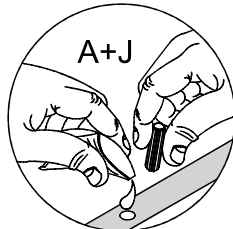
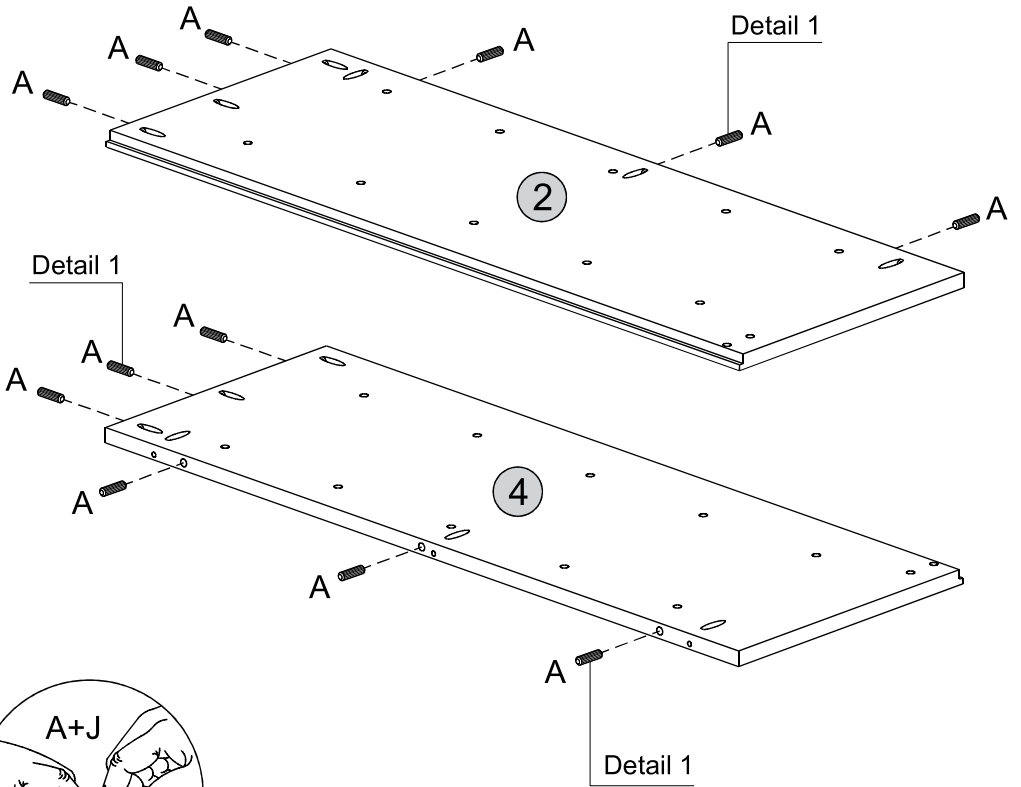
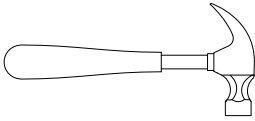
4 - LEFT SIDE PANEL x1

## HARDWARE REQUIRED

A  12  
Ø 8 x 30mm

J  01  
Glue

## TOOLS REQUIRED



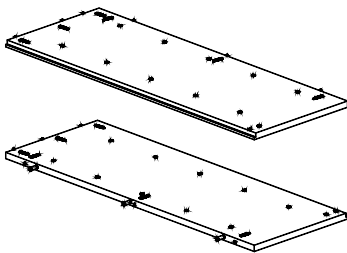
Detail 1

# STEP 2

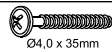
## PARTS REQUIRED

8 - RIGHT BACK FOOT x1

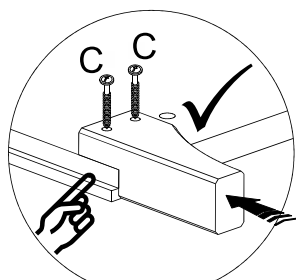
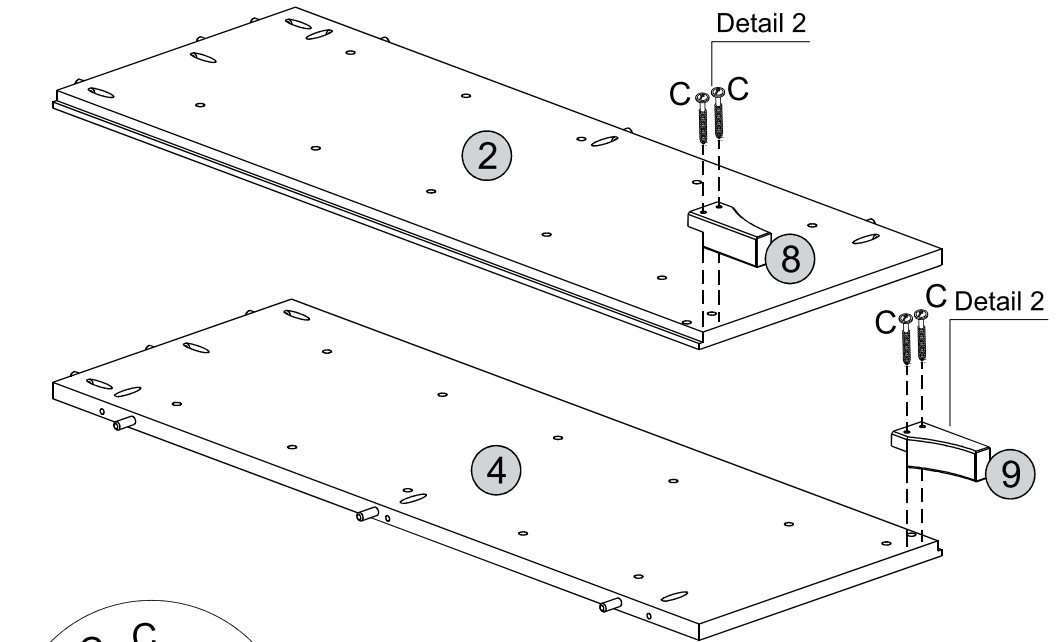
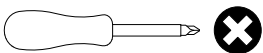
9 - LEFT BACK FOOT x1



## HARDWARE REQUIRED

C  04  
Ø4,0 x 35mm

## TOOLS REQUIRED



Detail 2

**PLEASE REFER TO PAGE 2 FOR FOOT ASSEMBLY.**

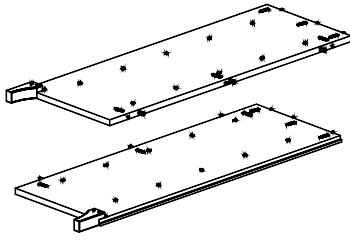


# STEP 3

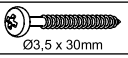
## PARTS REQUIRED

3 - RIGHT FRONT UPRIGHT x1

5 - LEFT FRONT UPRIGHT x1

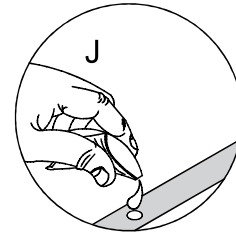
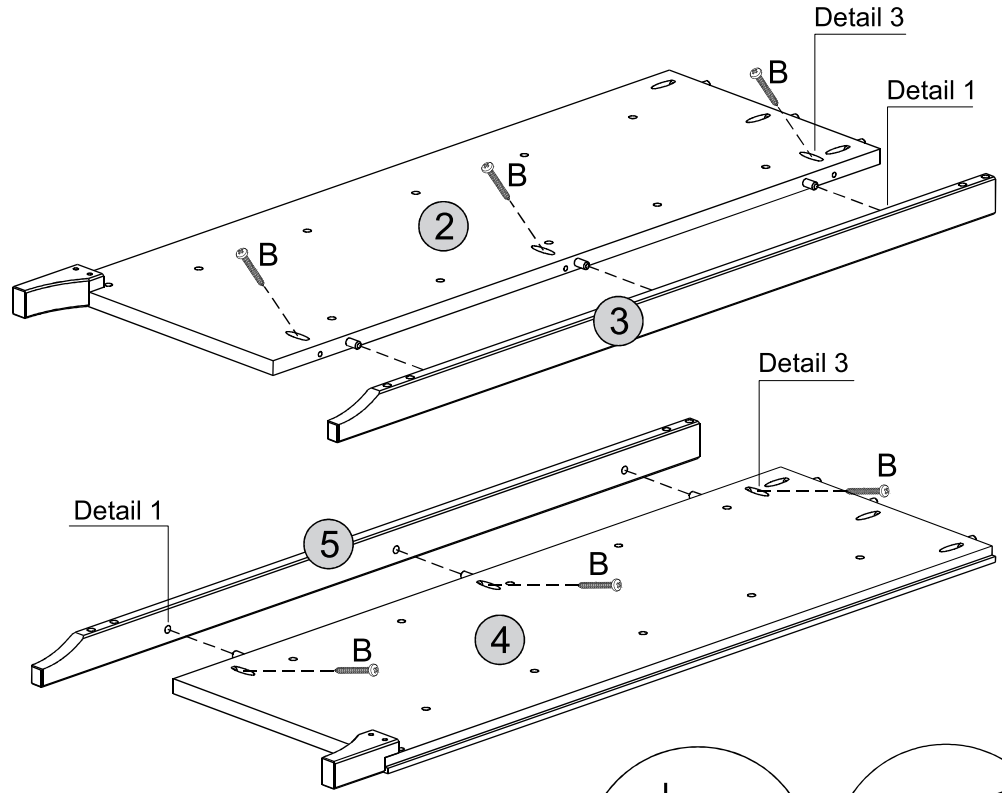
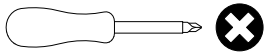


## HARDWARE REQUIRED

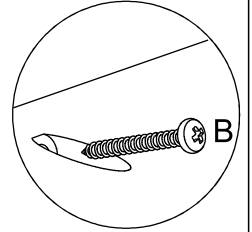
B  06  
Ø3,5 x 30mm

J  01  
Glue

## TOOLS REQUIRED



Detail 1



Detail 3

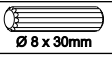
# STEP 4

## PARTS REQUIRED

6 - FRONT CROSSBEAM x2

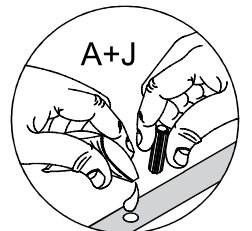
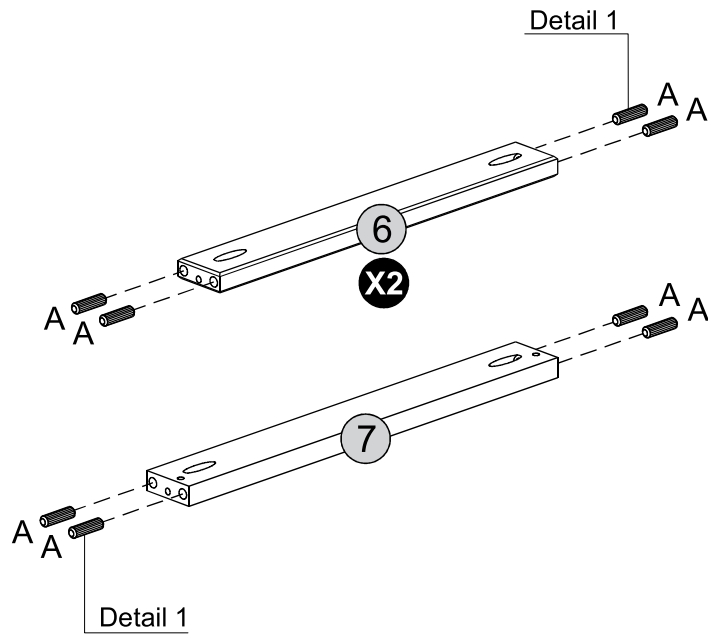
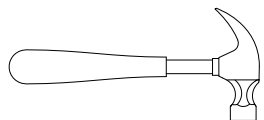
7 - BACK CROSSBEAM x1

## HARDWARE REQUIRED

A  12  
Ø 8 x 30mm

J  01  
Glue

## TOOLS REQUIRED

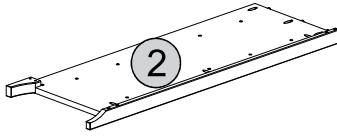


Detail 1

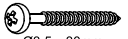
# STEP 5

## PARTS REQUIRED

6 - FRONT CROSSBEAM x1

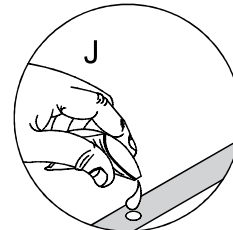
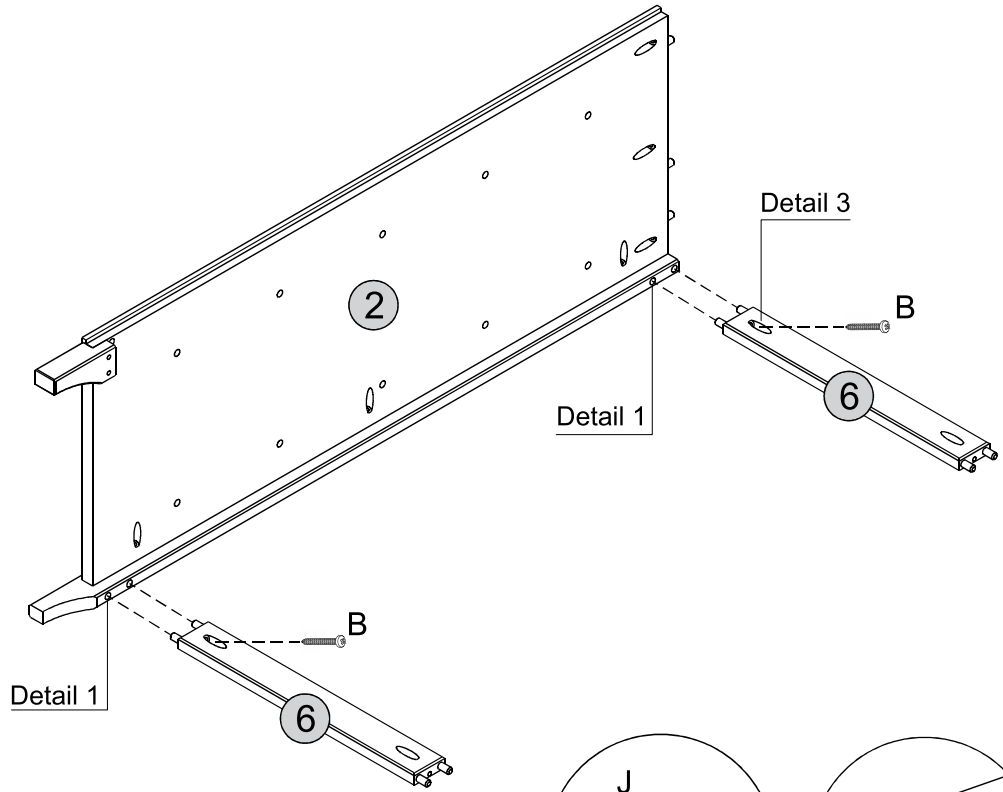
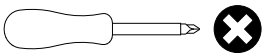


## HARDWARE REQUIRED

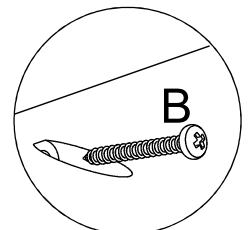
B  02  
Ø3,5 x 30mm

J  01  
Glue

## TOOLS REQUIRED



Detail 1

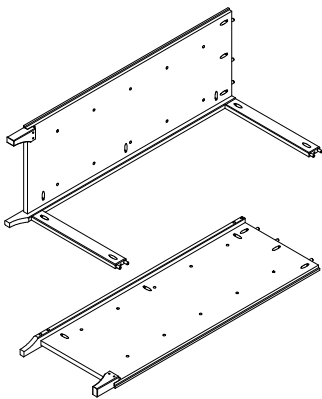


Detail 3

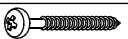
# STEP 6


## PARTS REQUIRED

7 - BACK CROSSBEAM x1

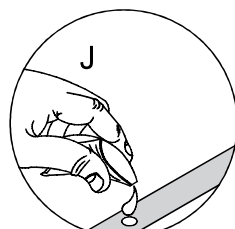
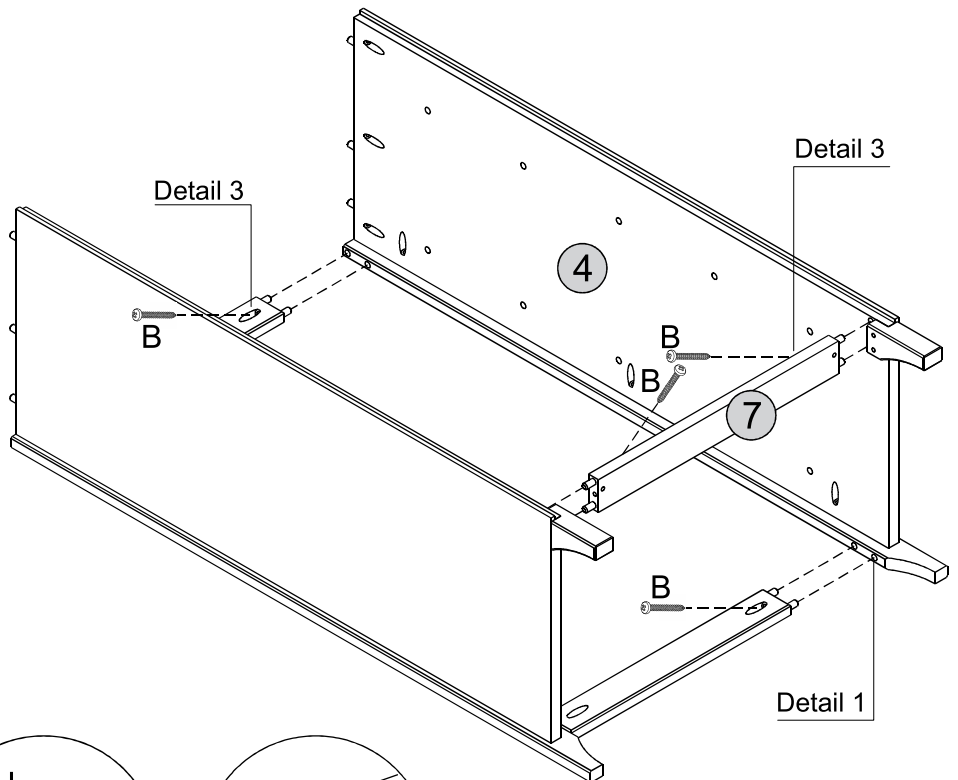
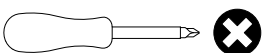


## HARDWARE REQUIRED

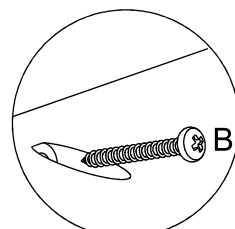
B  04  
Ø3,5 x 30mm

J  01  
Glue

## TOOLS REQUIRED



Detail 1

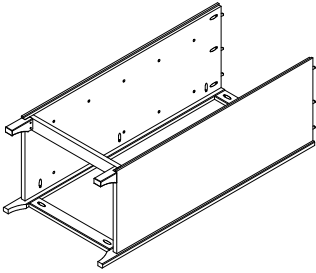


Detail 3

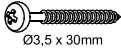
# STEP 7

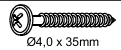
## PARTS REQUIRED


1 - TOP PANEL x1



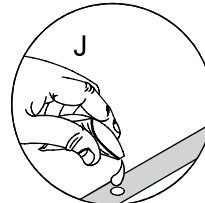
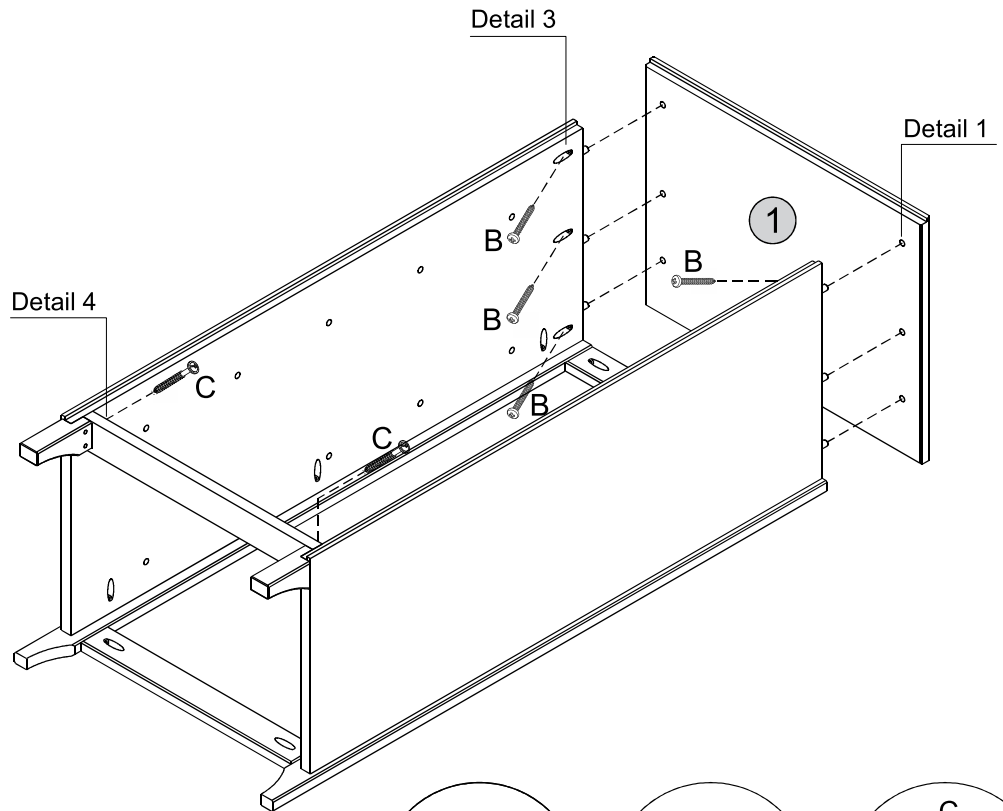
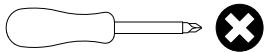
## HARDWARE REQUIRED

B  06  
Ø3,5 x 30mm

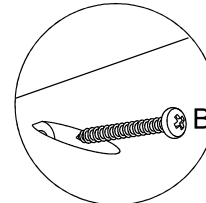
C  02  
Ø4,0 x 35mm

J  01  
Glue

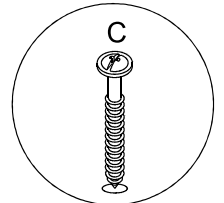
## TOOLS REQUIRED



Detail 1



Detail 3



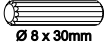
Detail 4

# STEP 8

## PARTS REQUIRED

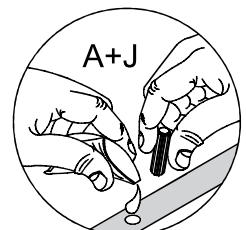
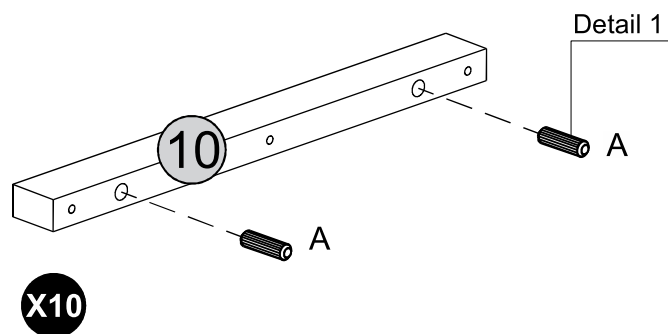
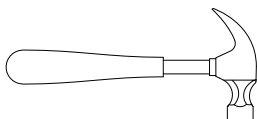
10- DRAWER RUNNER x10

## HARDWARE REQUIRED

A  12  
Ø 8 x 30mm

J  01  
Glue

## TOOLS REQUIRED

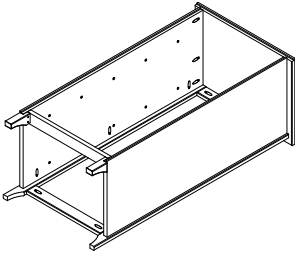


Detail 1

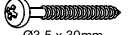
# STEP 9

## PARTS REQUIRED

10- DRAWER RUNNER x10

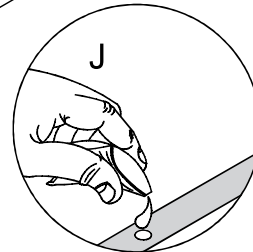
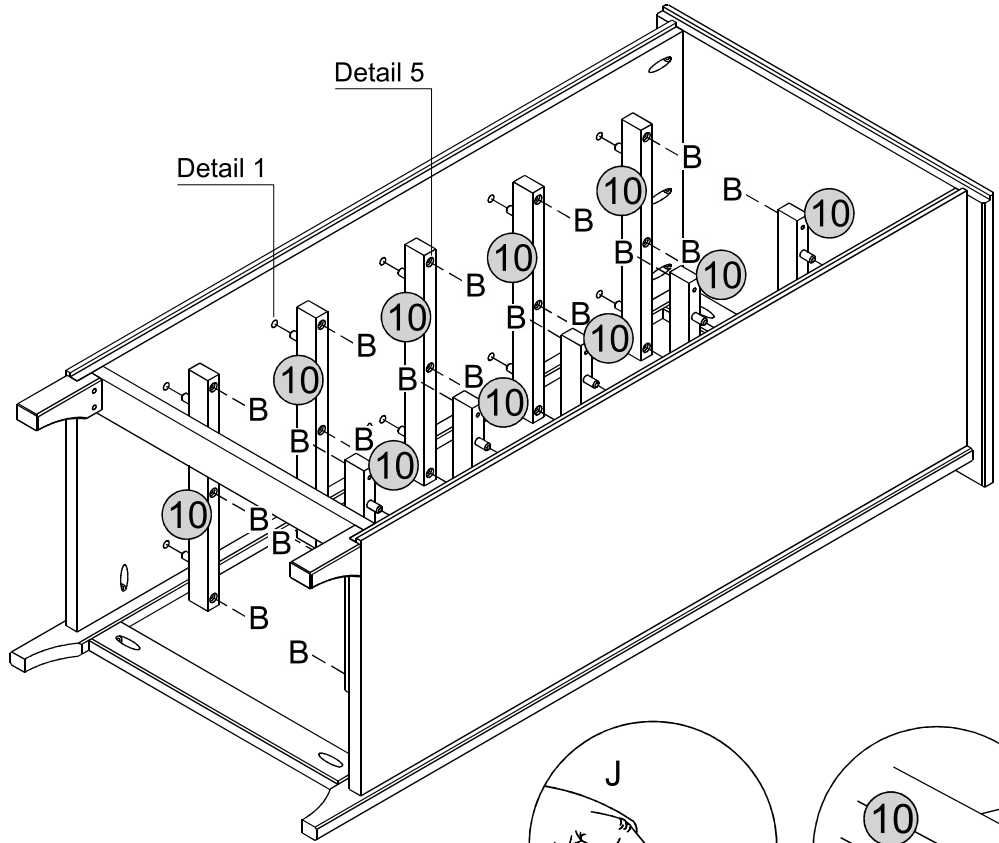
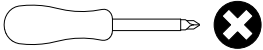


## HARDWARE REQUIRED

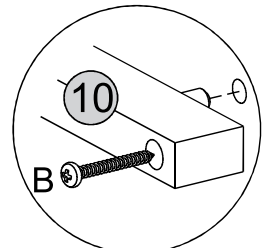
B  30  
Ø3,5 x 30mm

J  01  
Glue

## TOOLS REQUIRED



Detail 1

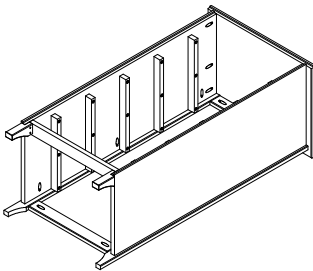


Detail 5

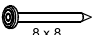
# STEP 10

## PARTS REQUIRED

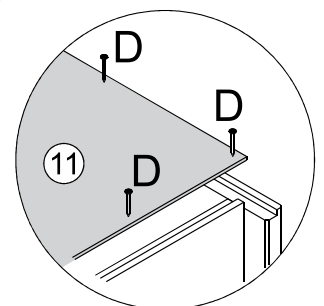
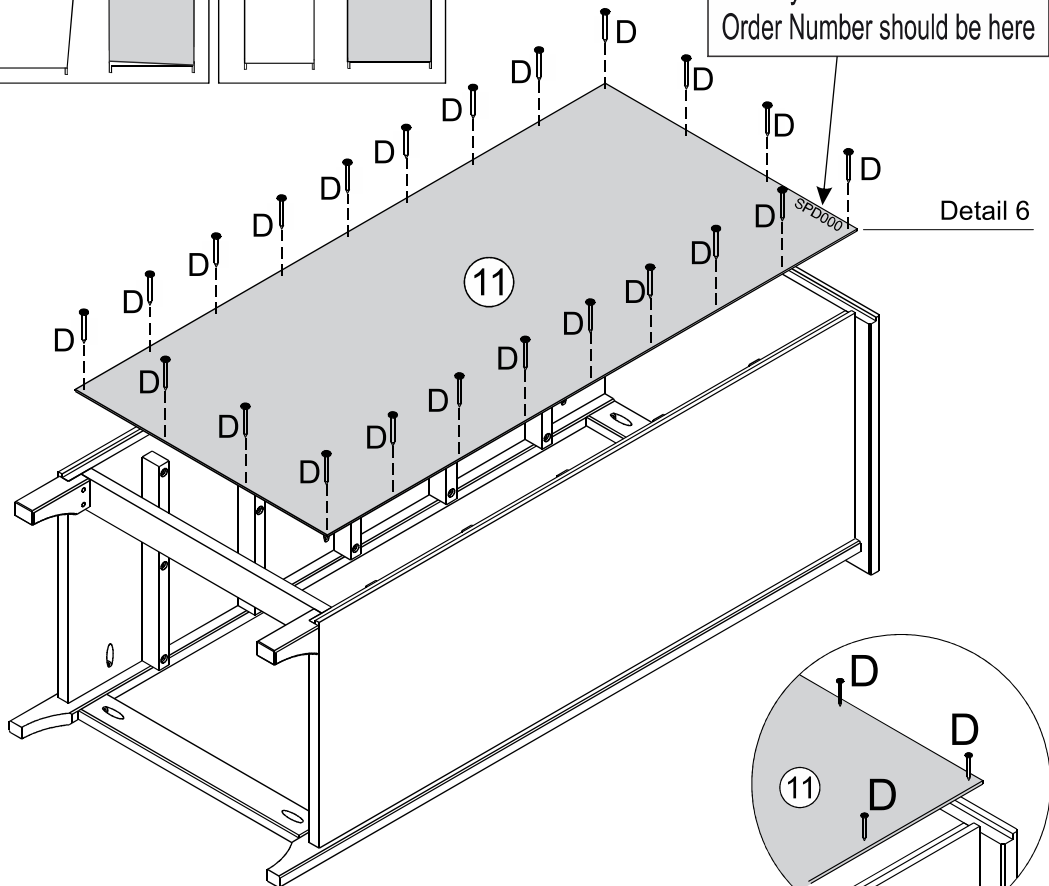
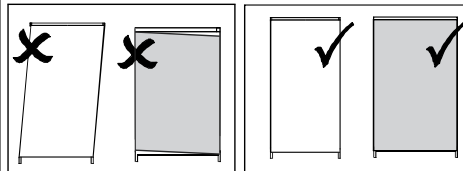
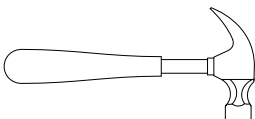
11- BACK PANEL x1



## HARDWARE REQUIRED

D  22  
8 x 8

## TOOLS REQUIRED



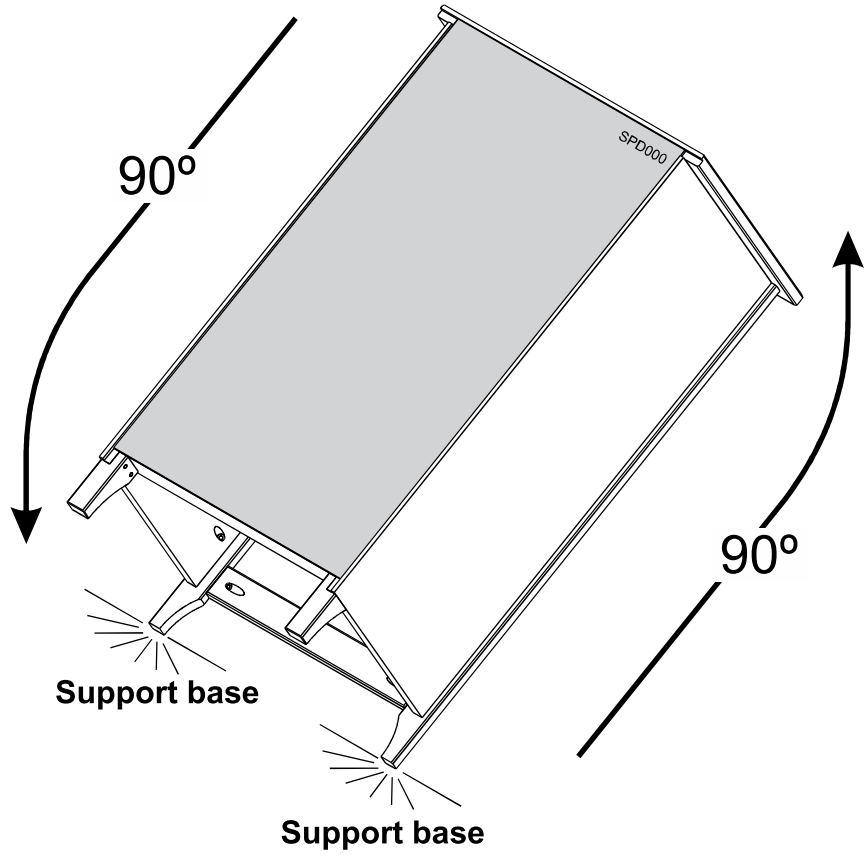
Detail 6

# STEP 11

PARTS REQUIRED

HARDWARE REQUIRED

TOOLS REQUIRED



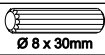
# STEP 12

PARTS REQUIRED

13- RIGHT DRAWER SIDE x5

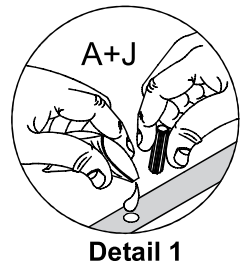
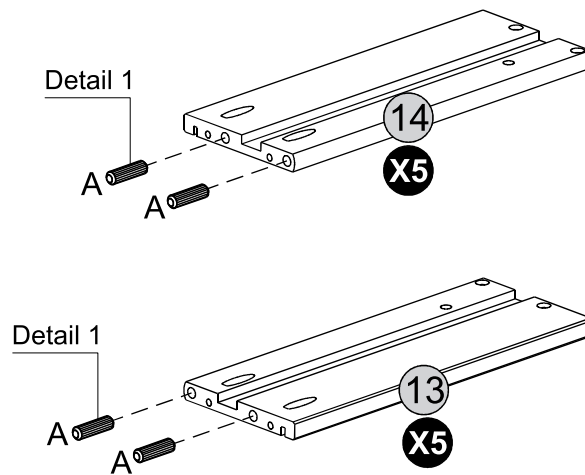
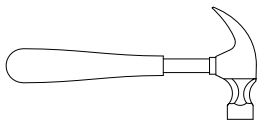
14- LEFT DRAWER SIDE x5

HARDWARE REQUIRED

A  20  
Ø 8 x 30mm

J  01  
Glue

TOOLS REQUIRED



# STEP 13

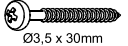
## PARTS REQUIRED

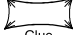
12- DRAWER FRONT x5

13- RIGHT DRAWER SIDE x5

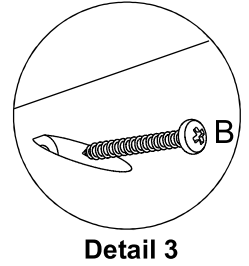
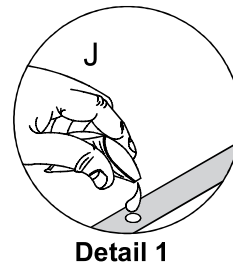
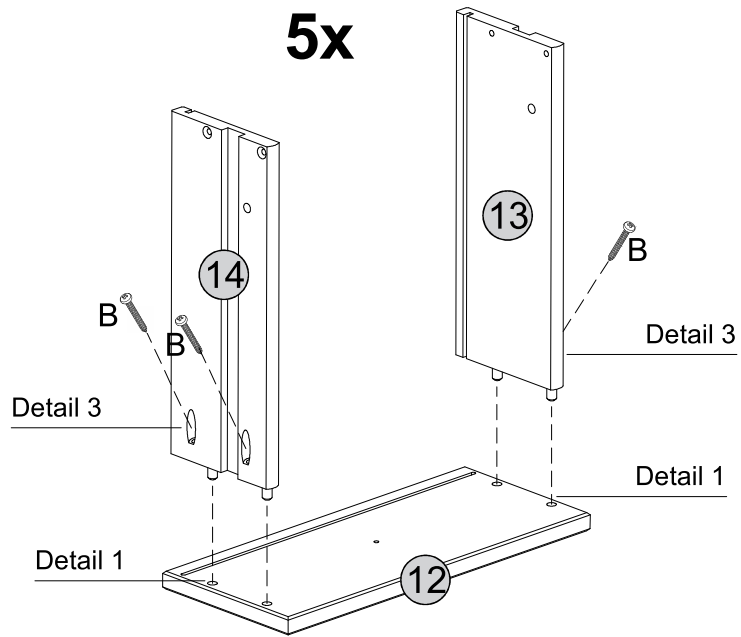
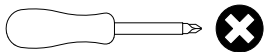
14- LEFT DRAWER SIDE x5

## HARDWARE REQUIRED

B  20  
Ø3,5 x 30mm

J  01  
Glue

## TOOLS REQUIRED

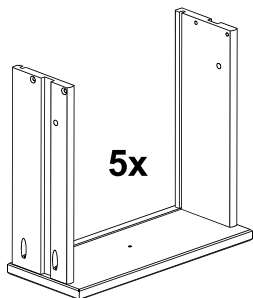


# STEP 14

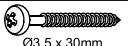
## PARTS REQUIRED

15- DRAWER BOTTOM x5

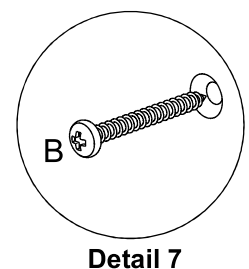
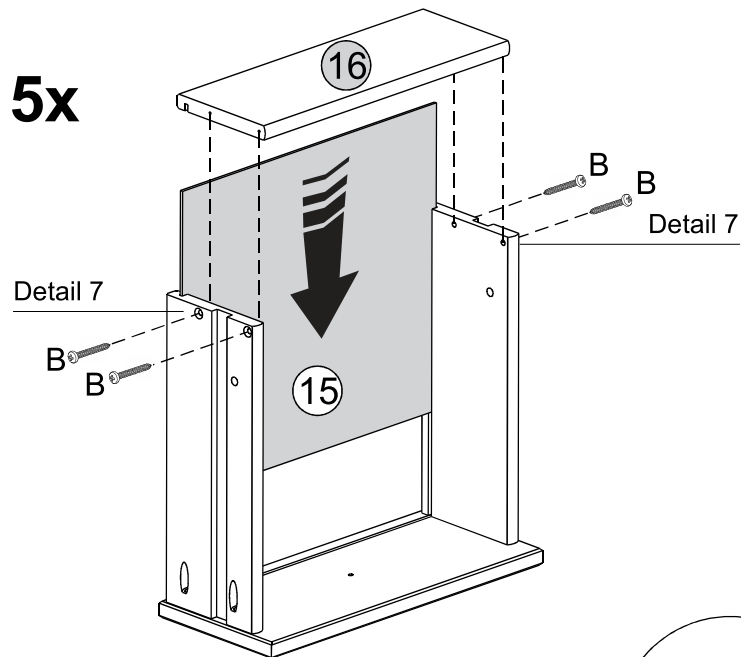
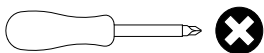
16- DRAWER BACK PANEL x5



## HARDWARE REQUIRED

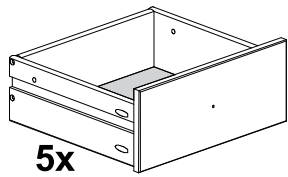
B  20  
Ø3,5 x 30mm

## TOOLS REQUIRED

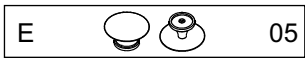


# STEP 15

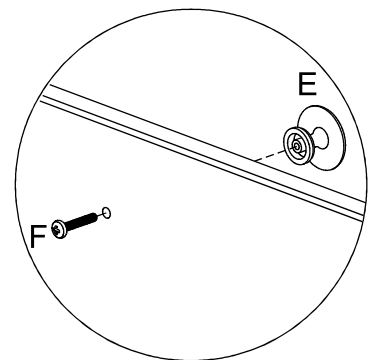
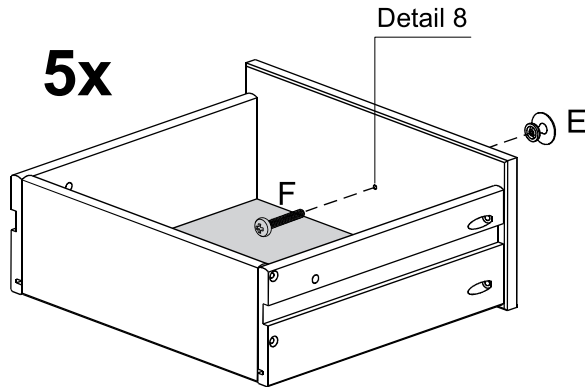
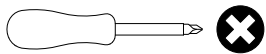
**PARTS REQUIRED**



**HARDWARE REQUIRED**



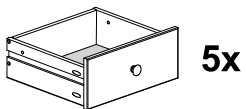
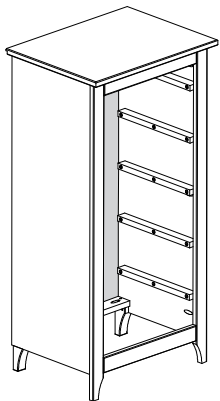
**TOOLS REQUIRED**



Detail 8

# STEP 16

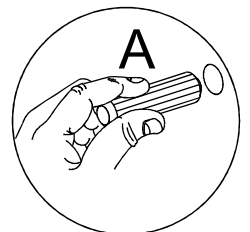
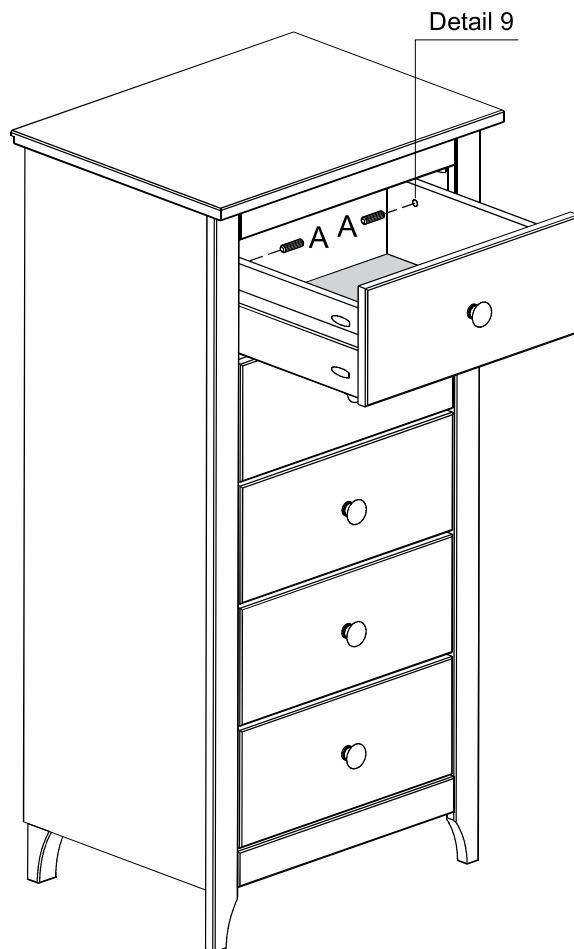
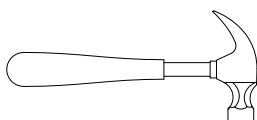
**PARTS REQUIRED**



**HARDWARE REQUIRED**



**TOOLS REQUIRED**



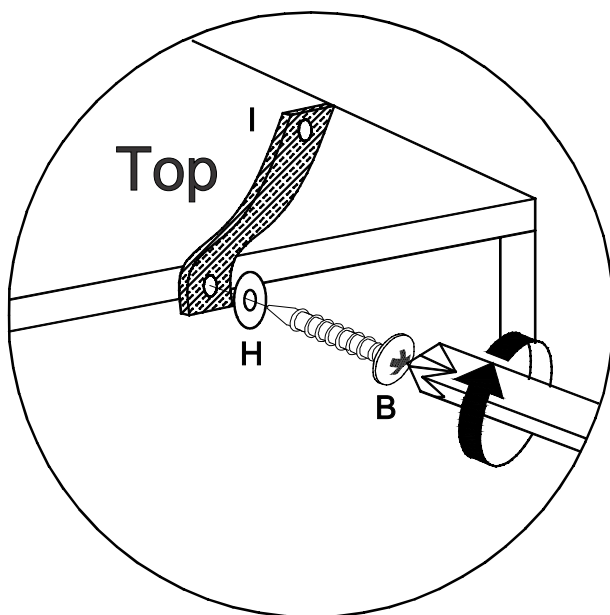
Detail 9



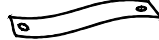
## WARNING

**Serious or fatal injuries can occur from furniture tipping over. To prevent the furniture from tipping over we recommend that it is permanently fixed to the wall.**

Wall fixings are not supplied with this product as different wall materials require different types of fixing devices.

Please make sure you use fixings suitable for the walls in your home.



B		01
	Ø3,5 x 30mm	
H		02
	Washer	
I		01
	Strap	

