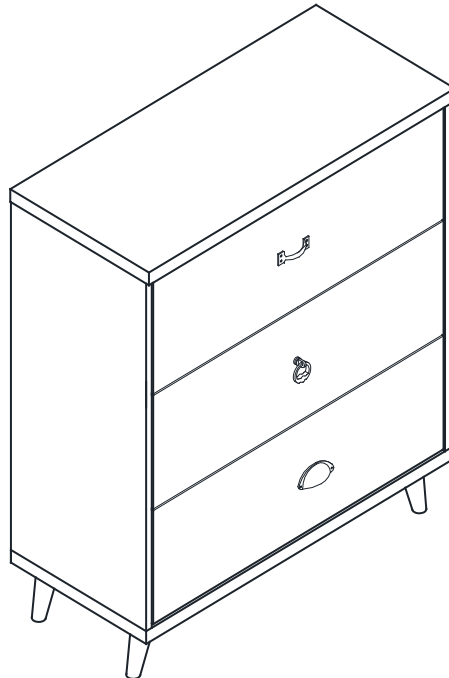


GREY/CHARCOAL CONCRETE EFFECT NORDIC 3 DRAWER CHEST ASSEMBLY INSTRUCTIONS



**FOR DOMESTIC USE ONLY
IMPORTANT**

PLEASE READ BEFORE YOU CONTINUE FURTHER

THE PRODUCT YOU HAVE PURCHASED WILL GIVE YOU MANY YEARS OF SERVICE IF YOU FOLLOW THE GUIDELINES FOR ITS SAFE ASSEMBLY AND PERIODIC MAINTENANCE AND CLEANING.

ASSEMBLE ON A SOFT CLEAN SURFACE.

DO NOT USE ANY TOOLS OTHER THAN THOSE SHOWN.

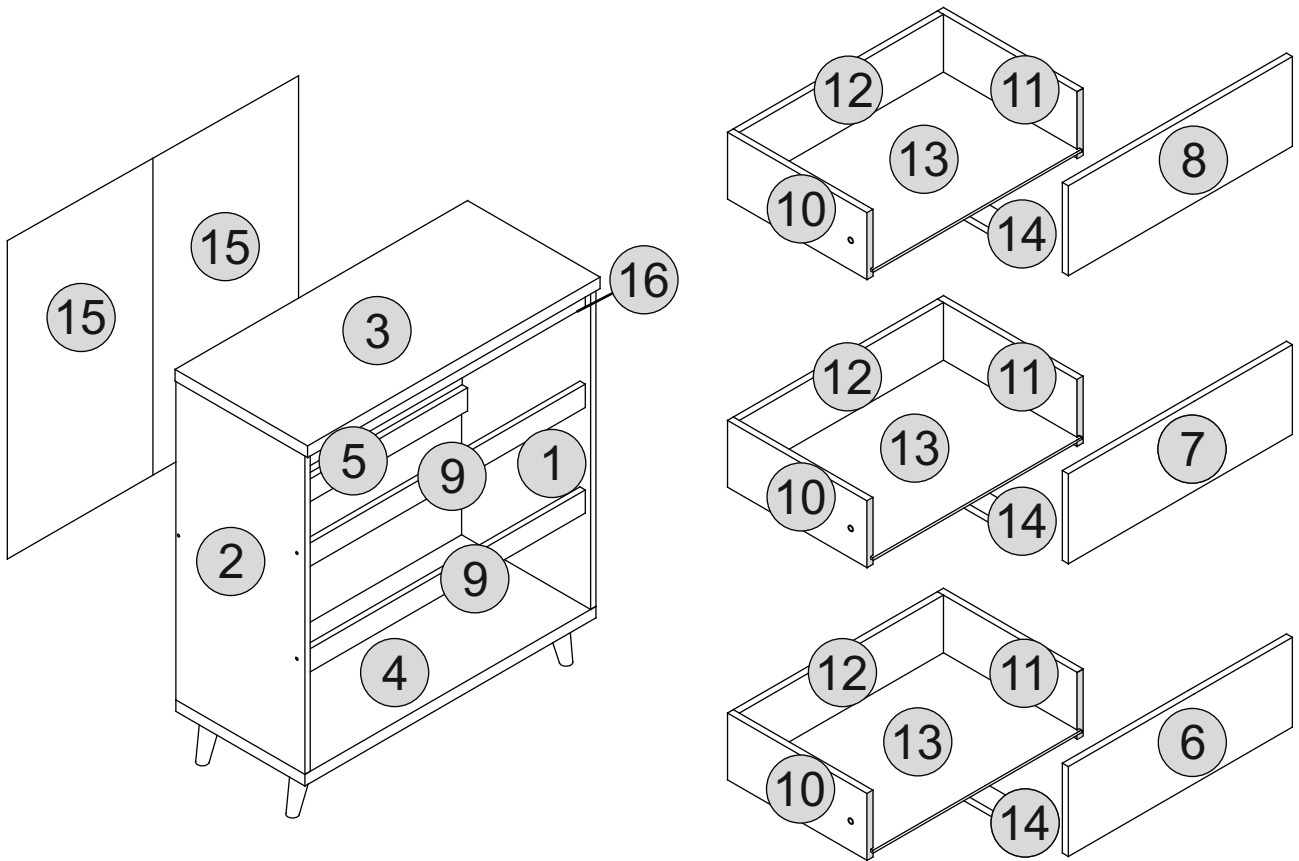
ANY SPANNERS OR ALLEN KEYS REQUIRED ARE INCLUDED WITH THE FITTING KIT.

DO NOT FOR ANY REASON USE A POWER TOOL TO ASSEMBLE THIS PRODUCT. ITS USE WILL INVALIDATE ANY CLAIM YOU MAY HAVE AND COULD MAKE THIS PRODUCT UNSAFE.

DEPENDING ON THE AMOUNT OF USE THIS PRODUCT RECEIVES, IT MAY BE NECESSARY TO TIGHTEN UP THE FIXINGS FROM TIME TO TIME. THIS IS COMPLETELY NORMAL FOR ANY FLAT PACK FURNITURE. DO NOT OVERTIGHTEN FIXINGS.

FOR CLEANING, YOU MAY USE A DAMP CLOTH (NOT WET). DO NOT USE POLISH, DETERGENT OR CHEMICAL CLEANERS.

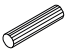
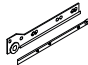
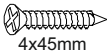












THIS SURFACE OF THIS ITEM IS NOT HEAT RESISTANT. ALWAYS USE A PLACE MAT UNDER HOT OR COLD ITEMS TO PREVENT MARKING.



PART LIST


Part Number	Part Code	Part Description	Quantity	Carton
1	S100-102-155-TA1-01	Right Side Panel	1	1/1
2	S100-102-155-TA1-02	Left Side Panel	1	1/1
3	S100-102-155-TA1-03	Top Panel	1	1/1
4	S100-102-155-TA1-04	Bottom Panel	1	1/1
5	S100-102-155-TA1-05	Back Support Panel	1	1/1
6	S100-102-155-TA1-06	Drawer Front	1	1/1
7	S100-102-155-TA1-07	Drawer Front	1	1/1
8	S100-102-155-TA1-08	Drawer Front	1	1/1
9	S100-102-155-TA1-09	Support Panel	2	1/1
10	S100-102-155-TA1-10	Left Drawer Side	3	1/1
11	S100-102-155-TA1-11	Right Drawer Side	3	1/1
12	S100-102-155-TA1-12	Drawer Back	3	1/1
13	S100-102-155-TA1-13	Drawer Base	3	1/1
14	S100-102-155-TA1-14	Drawer Support	3	1/1
15	S100-102-155-TA1-15	Back Panel	2	1/1
16	S100-102-155-TA1-16	Top Support Panel	1	1/1

HARDWARE LIST

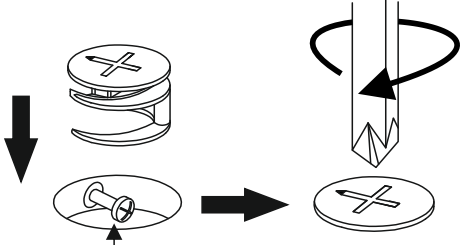
No.	Part Name		Qty	No.	Part Name		Qty
A	Wooden Dowel (6x25mm)		x28	I	14" Drawer Slide (0.9mm W (vkt))		x3
B	45mm Screw (4x45mm)		x10	J	Screw Cover (CB-White)		x6
C	14mm Screw (3.5x14mm)		x46	K	Wall Fixings (4x20mm=1pc)		x1
D	38mm Screw (4x38mm)		x15	L	Handle+Screw 4pc(M3x16mm)		x1
E	Cam Bolt (8032T)		x13	M	Handle+Screw 1pc(M4x20mm)		x1
F	Cam Nut (1512)		x13	N	Handle+Screw 2pc(M3x16mm)		x1
G	Wood Leg + Plastic Foot		x4	O	PVC L- Bracket		x1
H	6/8" Nail		x30				

TIPS FOR FITTINGS CAM-LOCKS

WHEN FITTING CAM NUT. ENSURE STARTING POSITION IS CORRECT BEFORE YOU INSERT CONNECTING CAM BOLT TURN CLOCKWISE UNTIL SECURE



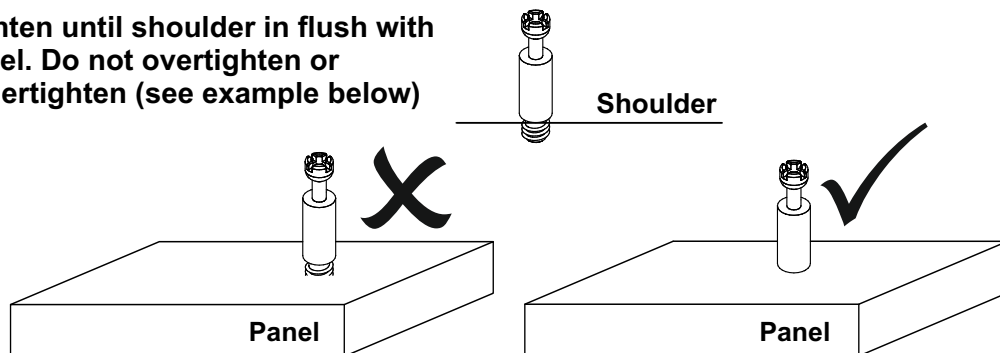
↑ CORRECT
WRONG



Cam bolt head needs to be in centre

CAMBOLT

Tighten until shoulder in flush with panel. Do not overtighten or undertighten (see example below)



Shoulder

Panel

STEP 1

PARTS REQUIRED

2 - LEFT SIDE PANEL x1

HARDWARE REQUIRED

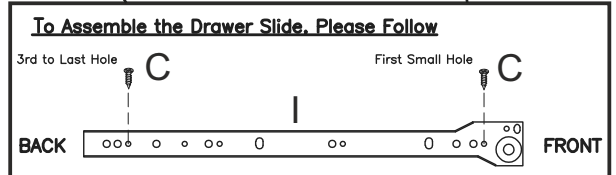
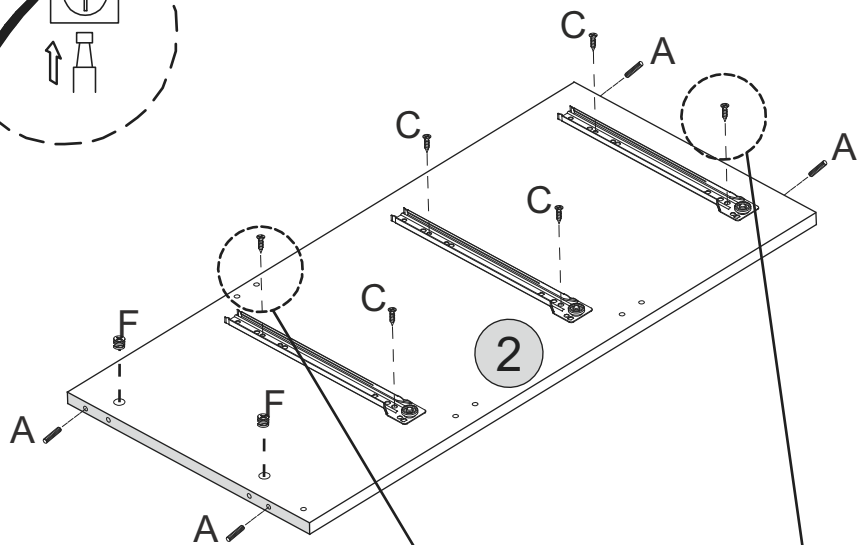
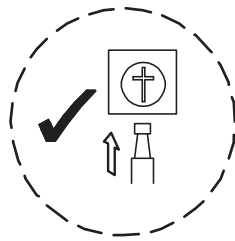
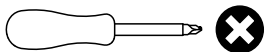
A  04

C  3.5x14mm 06

F  02

I  03

TOOLS REQUIRED



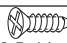
STEP 2

PARTS REQUIRED

1 - RIGHT SIDE PANEL x1

HARDWARE REQUIRED

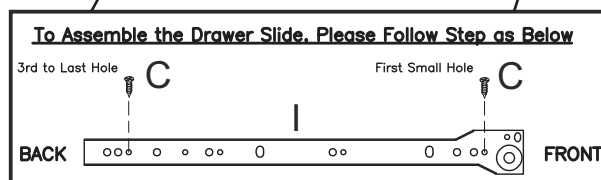
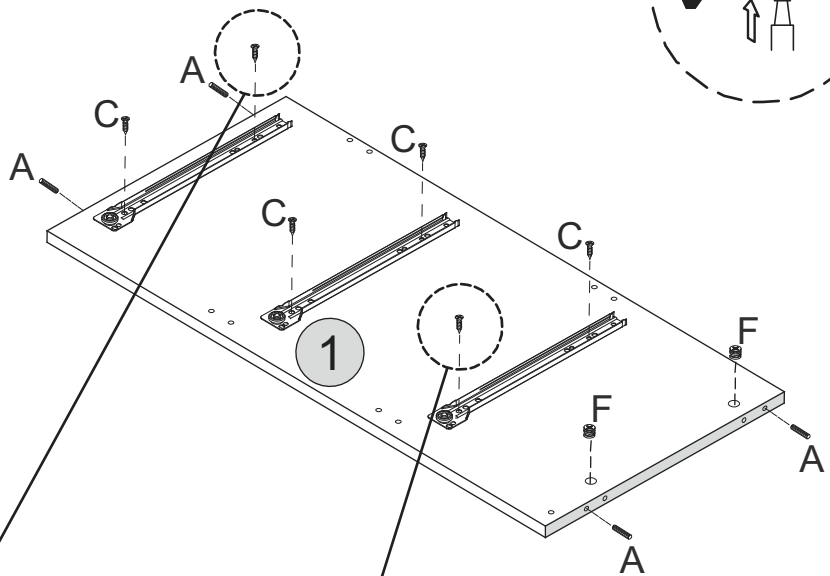
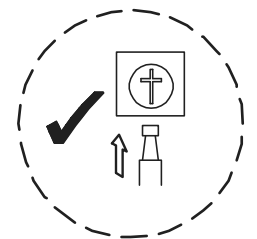
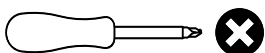
A  04

C  3.5x14mm 06

F  02

I  03

TOOLS REQUIRED

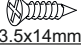



STEP 3

PARTS REQUIRED

3 - TOP PANEL x1

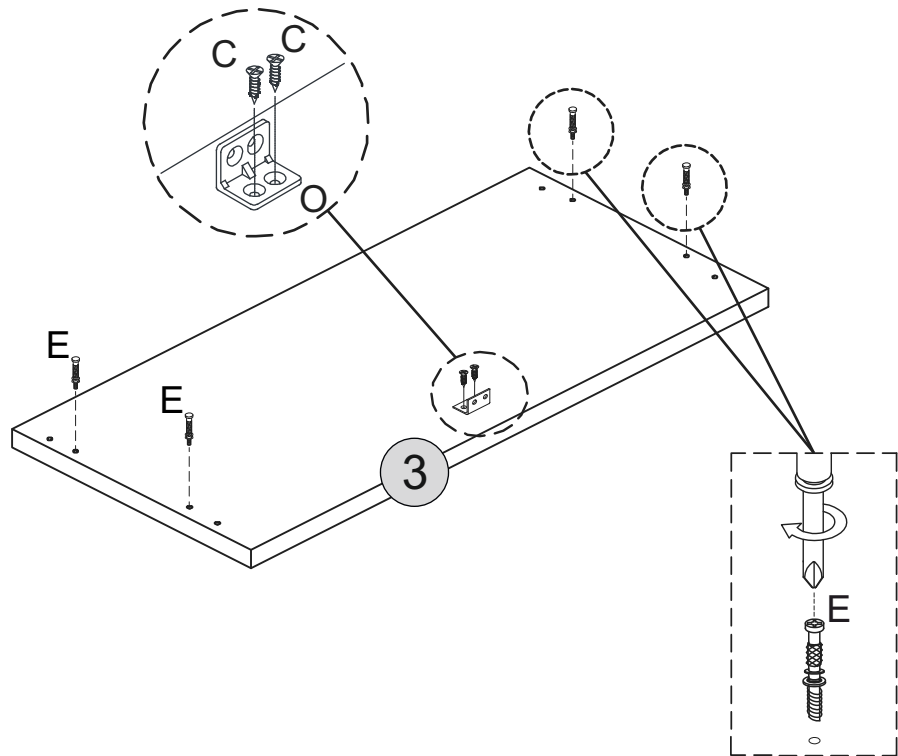
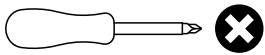
HARDWARE REQUIRED

C  02
3.5x14mm

E  04

O  01

TOOLS REQUIRED



STEP 4


PARTS REQUIRED

5 - BACK SUPPORT PANEL x1

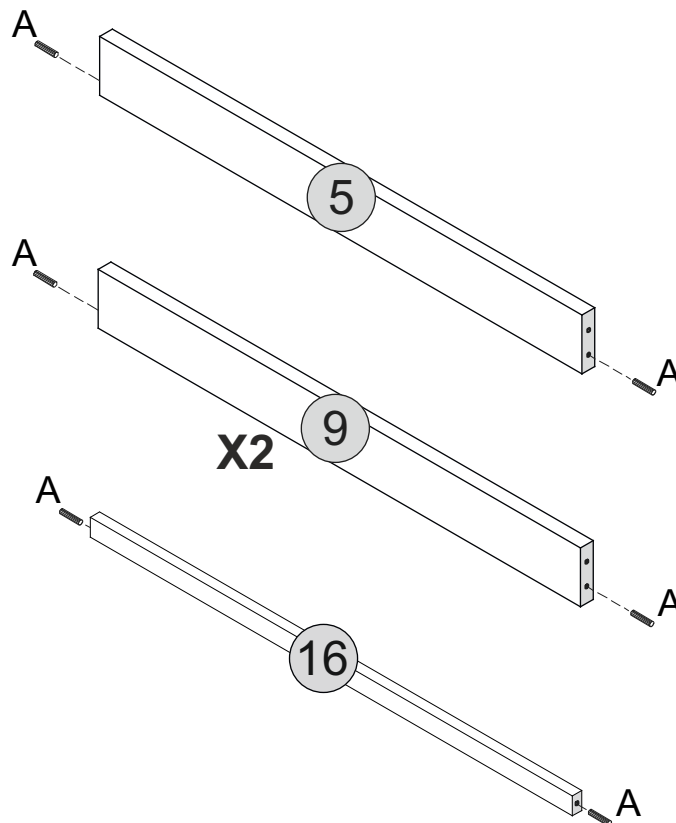
9 - SUPPORT PANEL x2

16 - TOP SUPPORT PANEL x1

HARDWARE REQUIRED

A  08

TOOLS REQUIRED



STEP 5

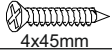
PARTS REQUIRED

2 - LEFT SIDE PANEL x1

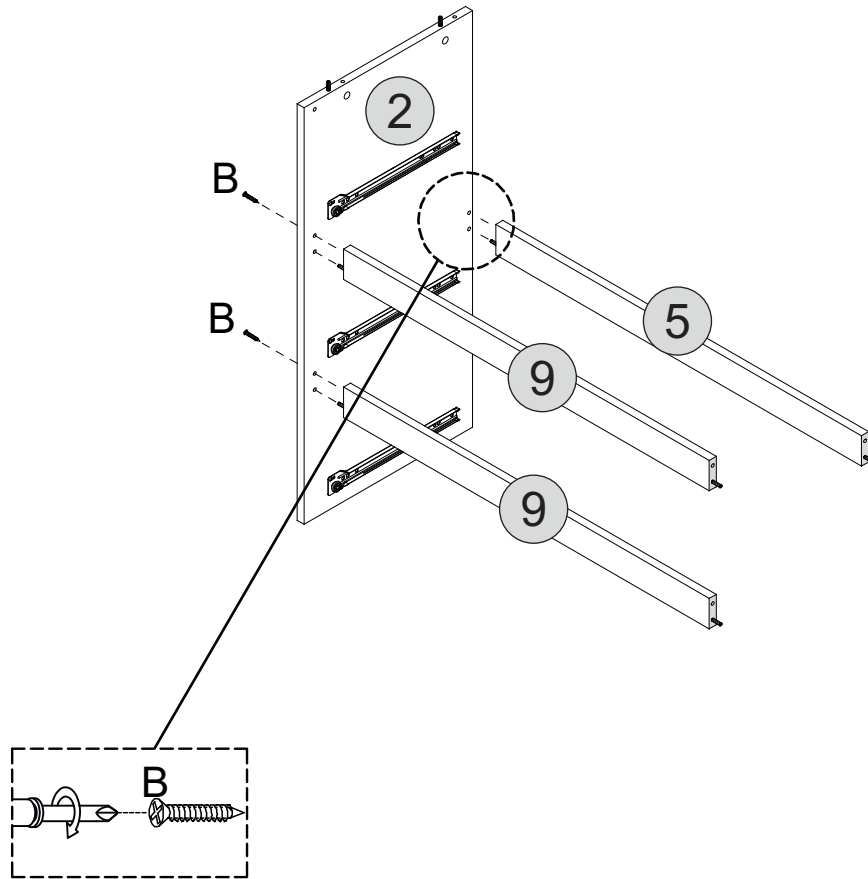
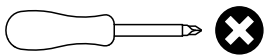
5 - BACK SUPPORT PANEL x1

9 - SUPPORT PANEL x2

HARDWARE REQUIRED

B  03

TOOLS REQUIRED

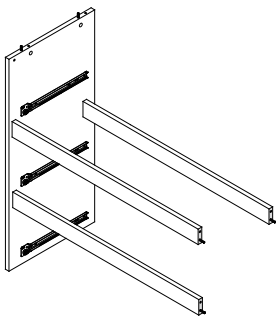


STEP 6

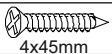
PARTS REQUIRED

1 - RIGHT SIDE PANEL x1

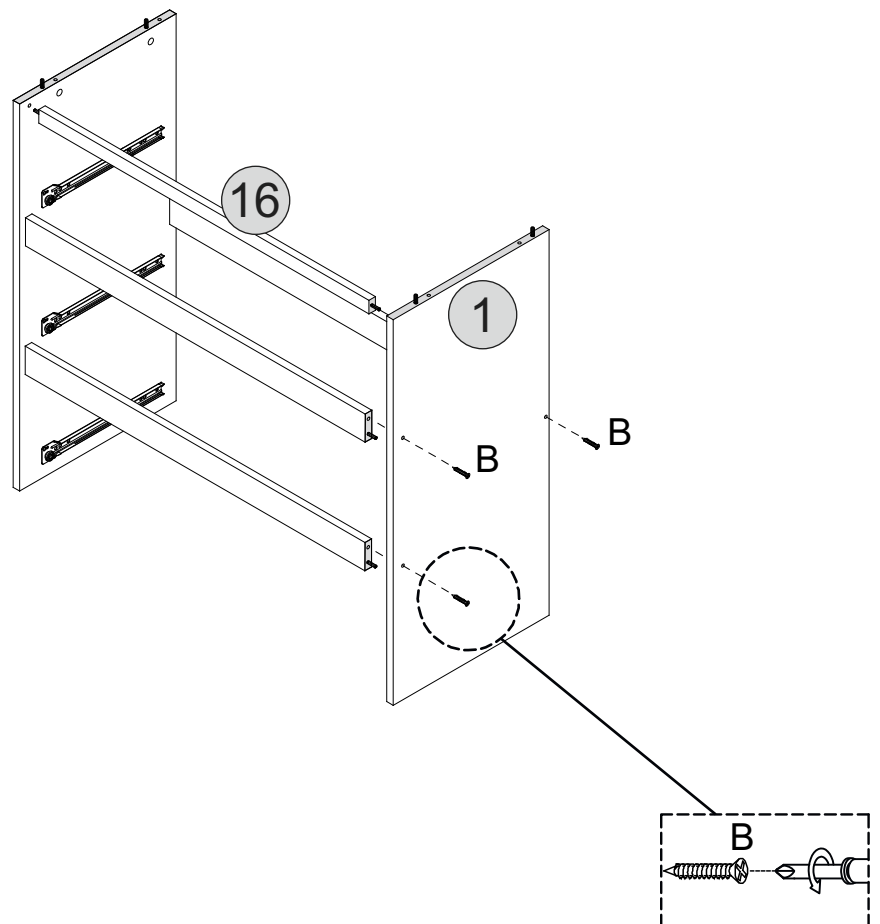
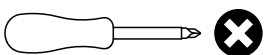
16 - TOP SUPPORT PANEL x1



HARDWARE REQUIRED

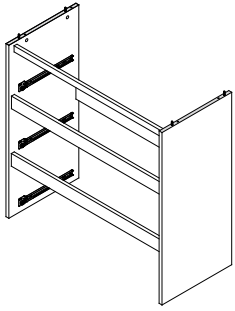
B  03

TOOLS REQUIRED

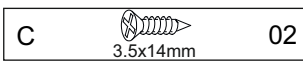
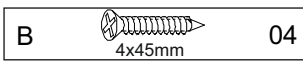


STEP 7

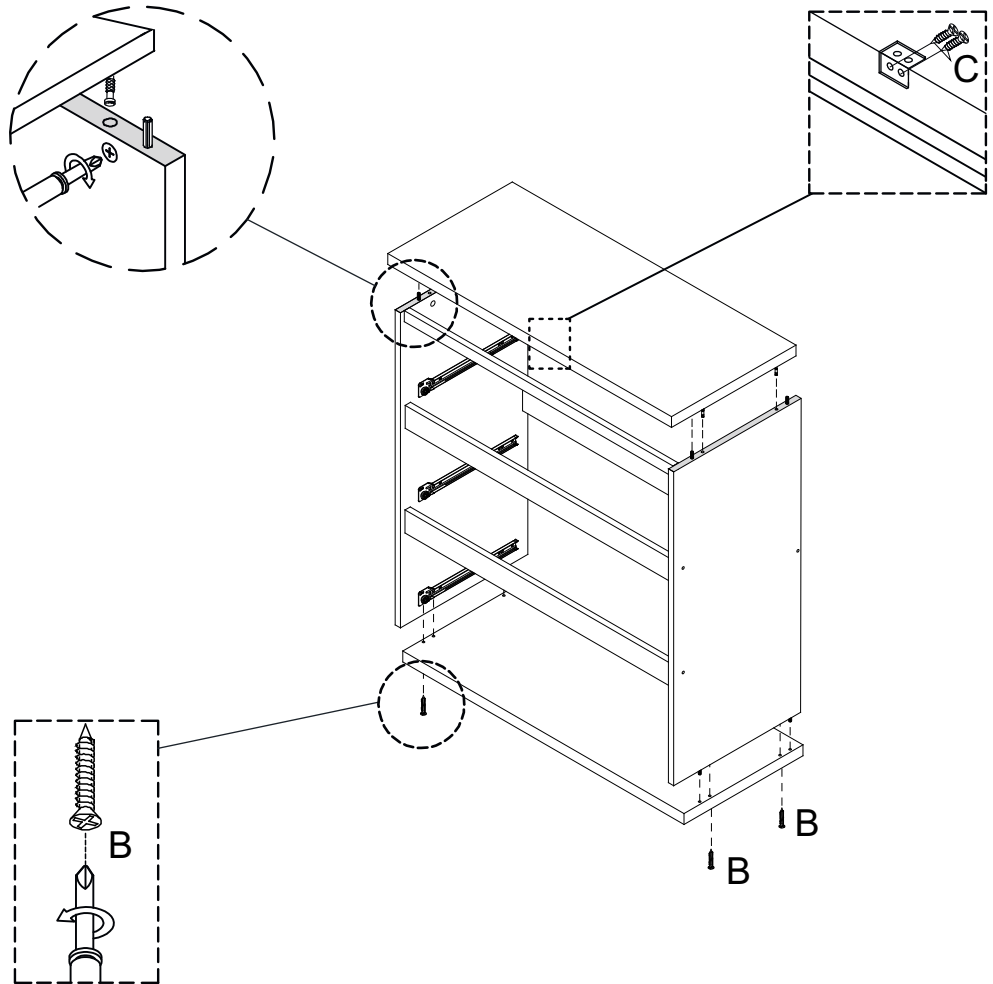
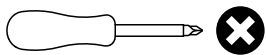
PARTS REQUIRED



HARDWARE REQUIRED

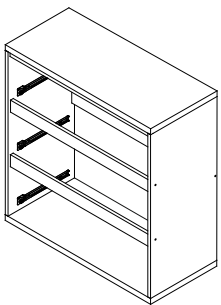


TOOLS REQUIRED

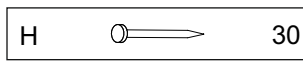
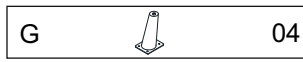
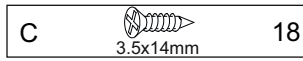


STEP 8

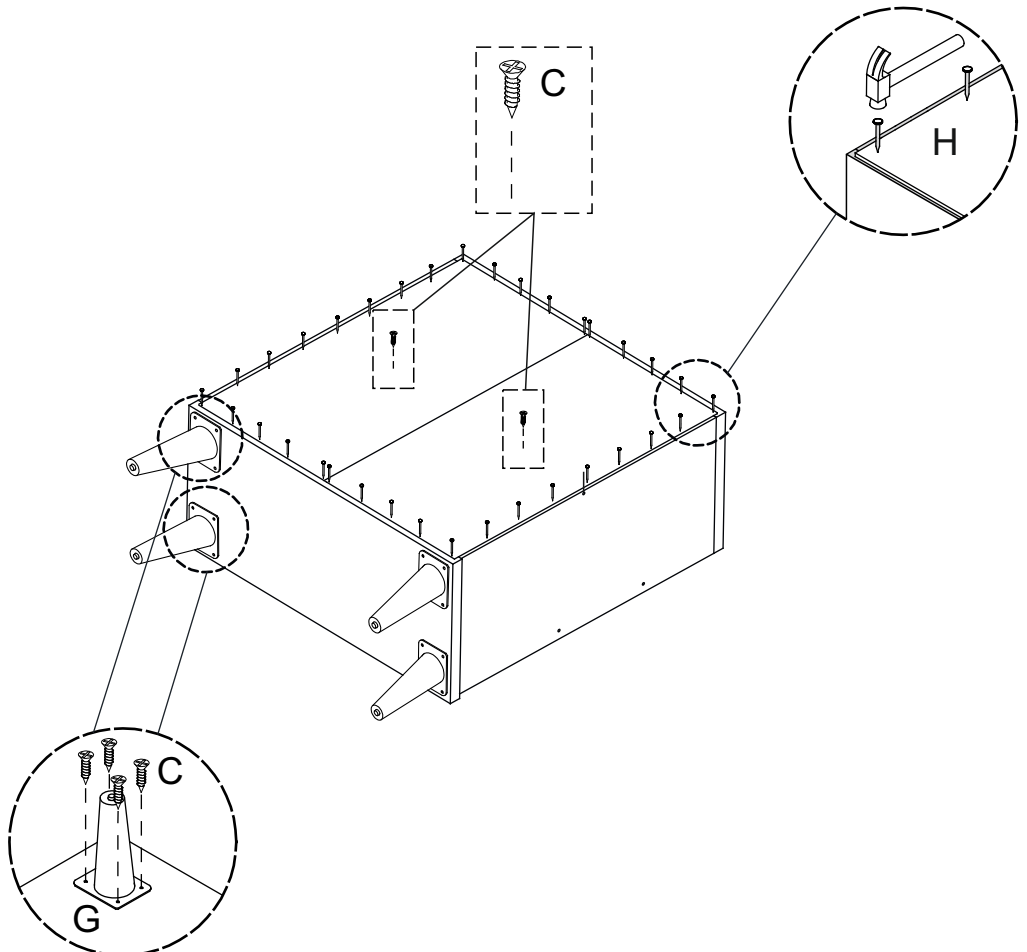
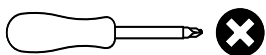
PARTS REQUIRED



HARDWARE REQUIRED



TOOLS REQUIRED

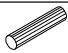




STEP 9

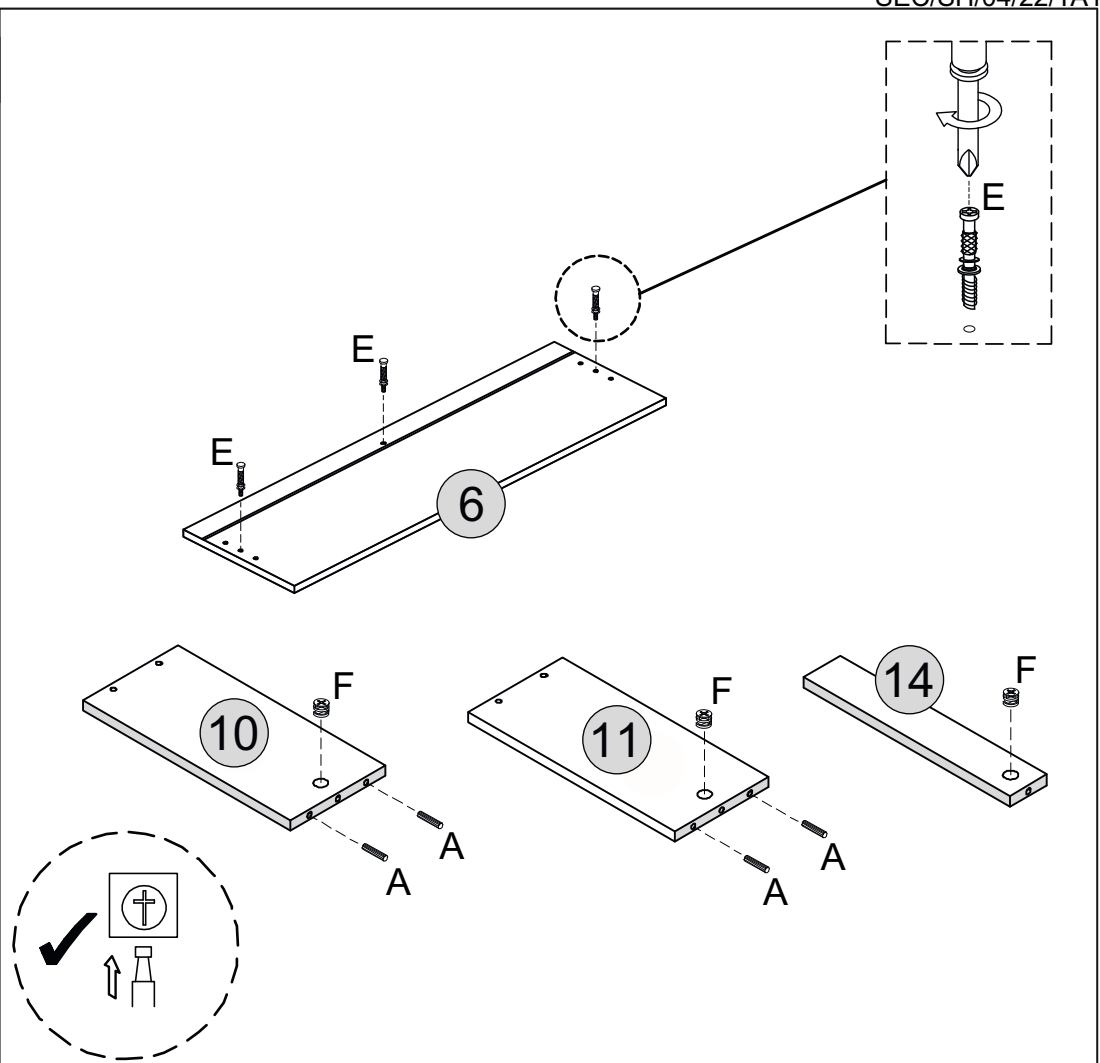
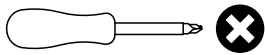
PARTS REQUIRED

6 - DRAWER FRONT	x1
10 -LEFT DRAWER SIDE	x1
11 -RIGHT DRAWER SIDE	x1
14 -DRAWER SUPPORT	x1

HARDWARE REQUIRED

A		04
E		03
F		03

TOOLS REQUIRED



STEP 10

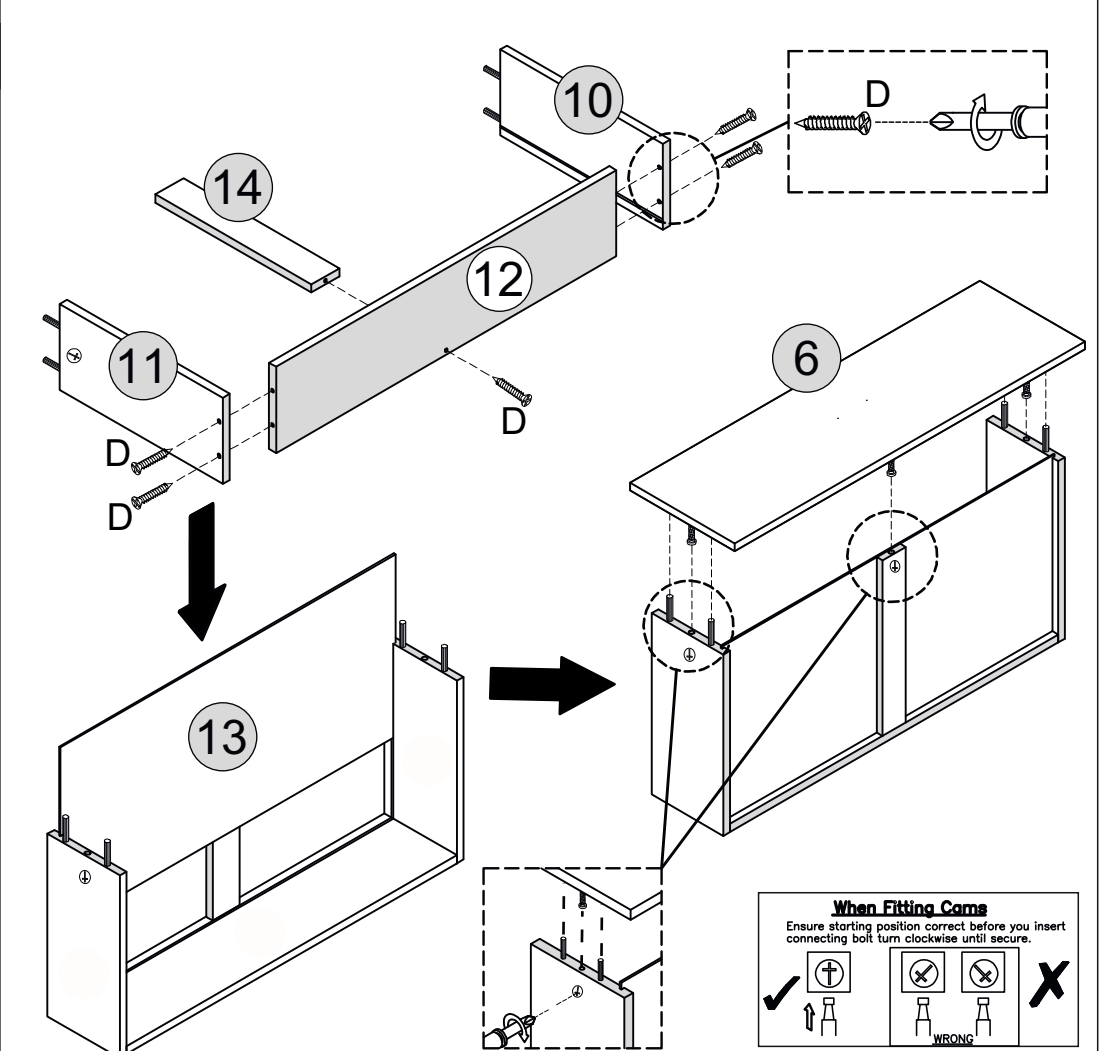
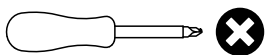
PARTS REQUIRED

6 - DRAWER FRONT	x1
10 -LEFT DRAWER SIDE	x1
11 -RIGHT DRAWER SIDE	x1
12 -DRAWER BACK	x1
13 -DRAWER BASE	x1
14 -DRAWER SUPPORT	x1

HARDWARE REQUIRED

D		05
---	---	----

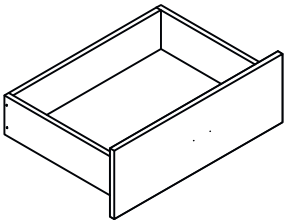
TOOLS REQUIRED



When Fitting Cams
Ensure starting position correct before you insert connecting bolt turn clockwise until secure.

STEP 11

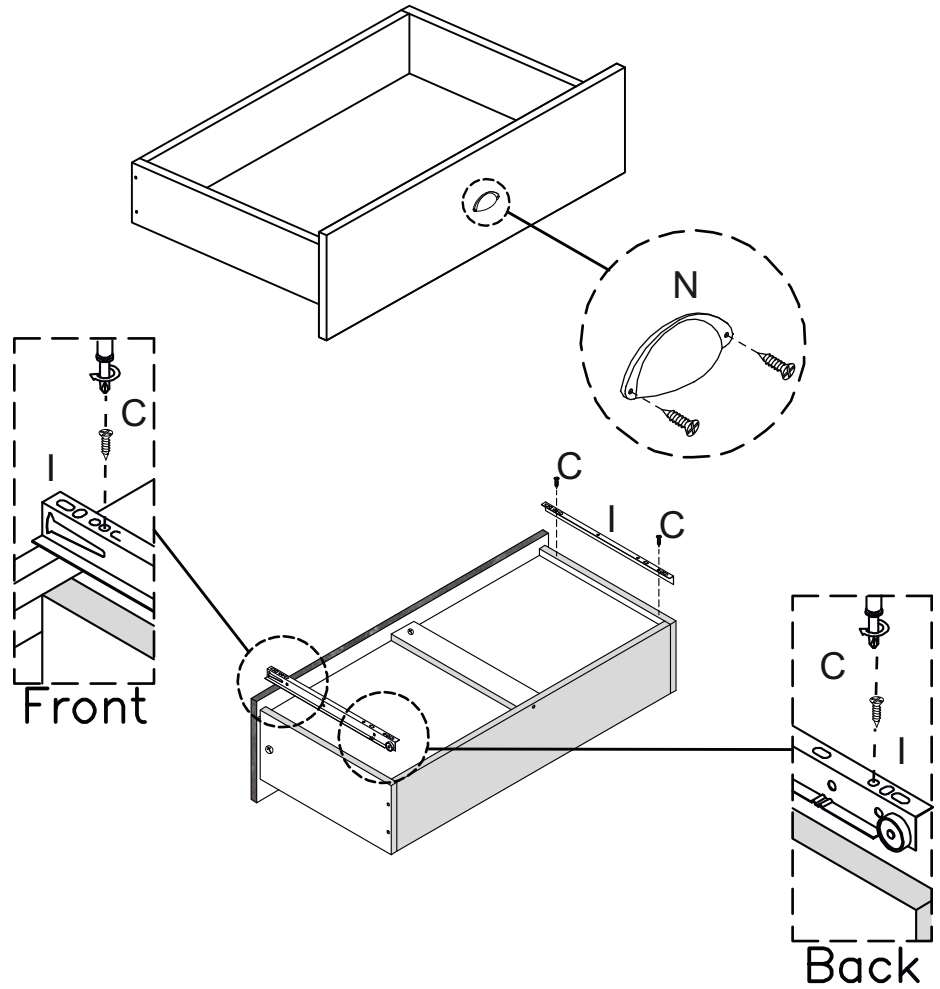
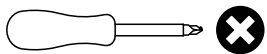
PARTS REQUIRED



HARDWARE REQUIRED

C	3.5x14mm	04
I		01
N		01

TOOLS REQUIRED



STEP 12

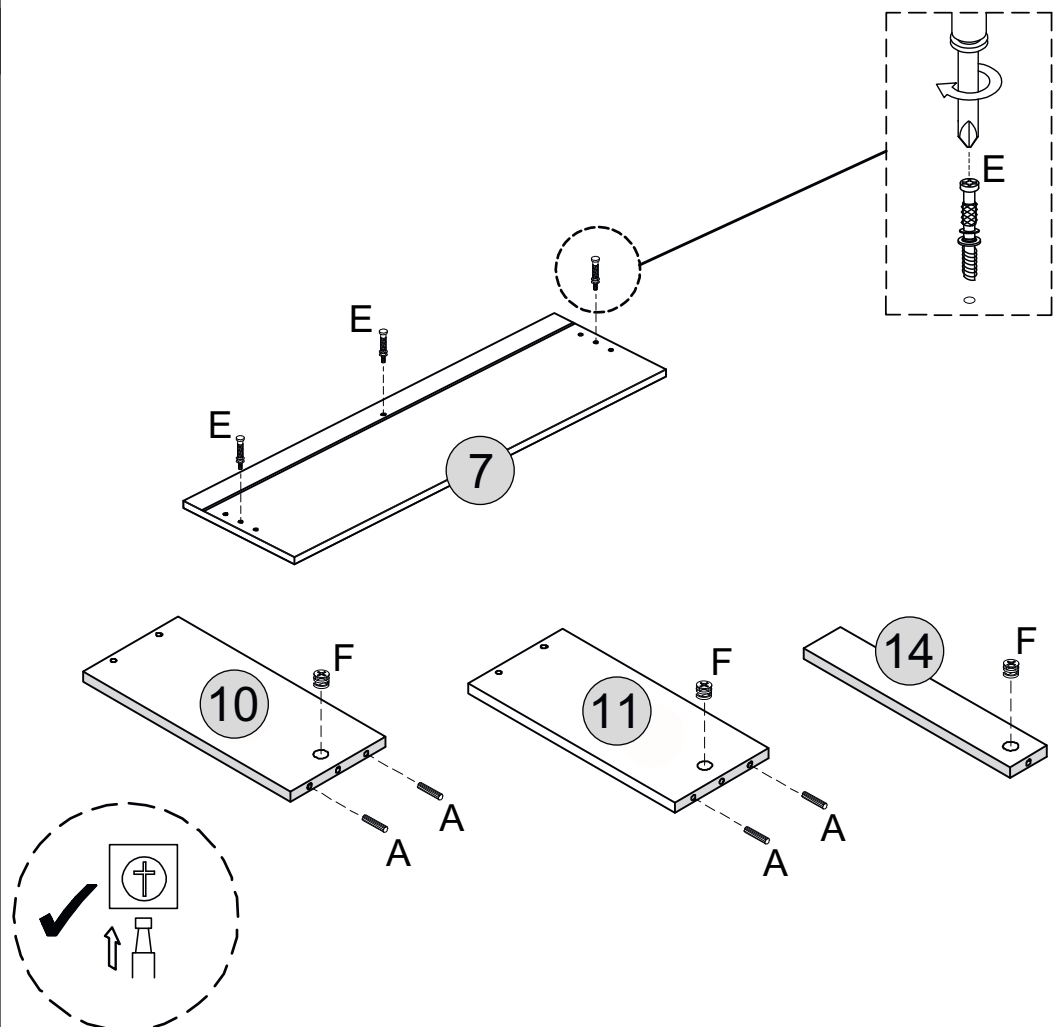
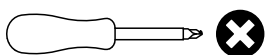
PARTS REQUIRED

7 - DRAWER FRONT	x1
10 -LEFT DRAWER SIDE	x1
11 -RIGHT DRAWER SIDE	x1
14 -DRAWER SUPPORT	x1

HARDWARE REQUIRED

A		04
E		03
F		03

TOOLS REQUIRED




STEP 13

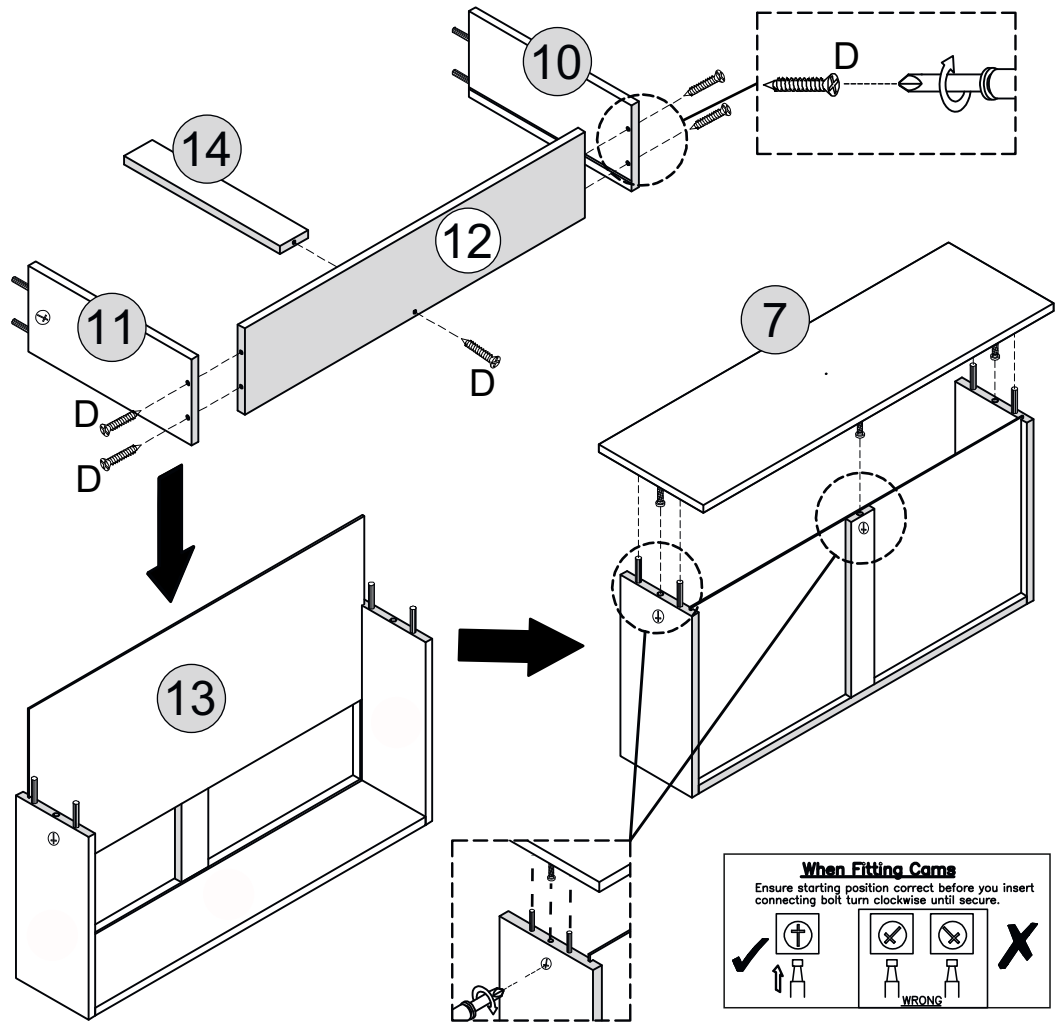
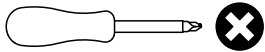
PARTS REQUIRED

7 - DRAWER FRONT	x1
10 - LEFT DRAWER SIDE	x1
11 - RIGHT DRAWER SIDE	x1
12 - DRAWER BACK	x1
13 - DRAWER BASE	x1
14 - DRAWER SUPPORT	x1

HARDWARE REQUIRED

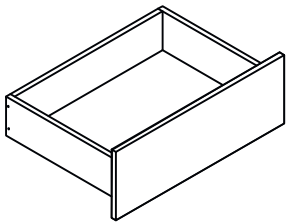
D		05
---	---	----

TOOLS REQUIRED

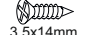




STEP 14

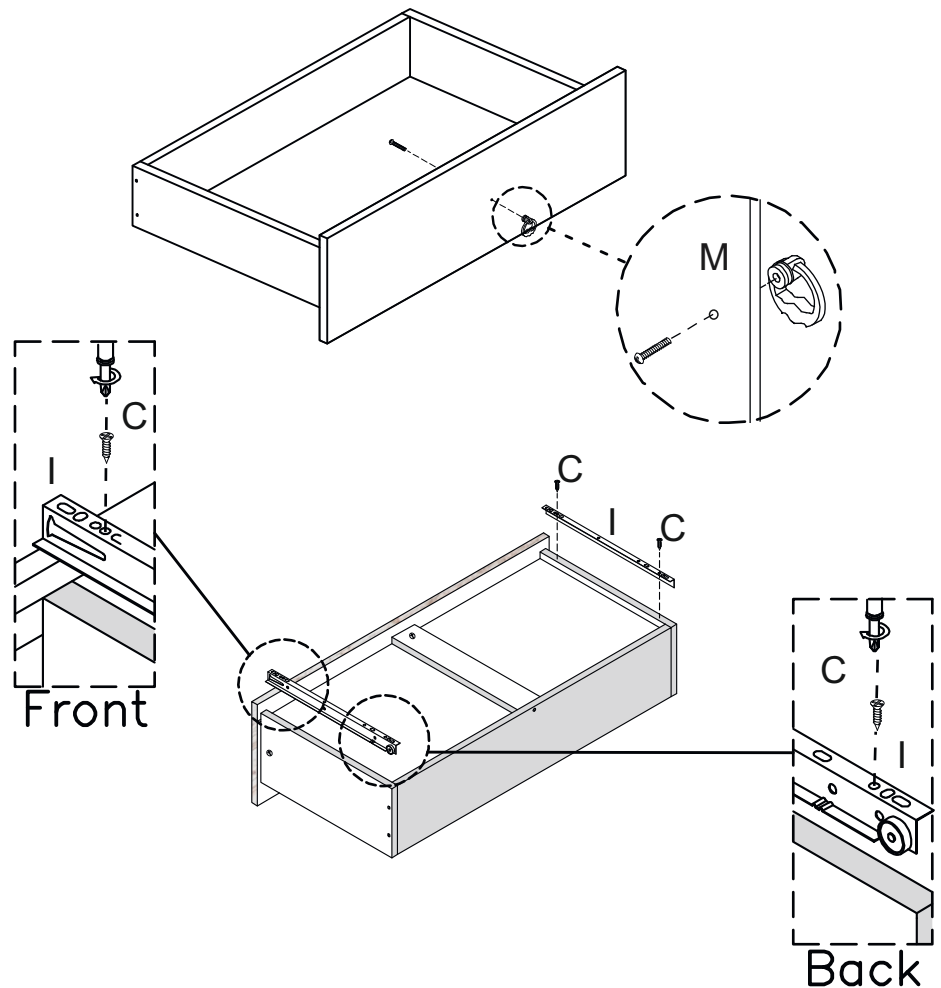
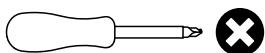
PARTS REQUIRED



HARDWARE REQUIRED

C		04
I		01
M		01

TOOLS REQUIRED

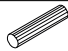




STEP 15

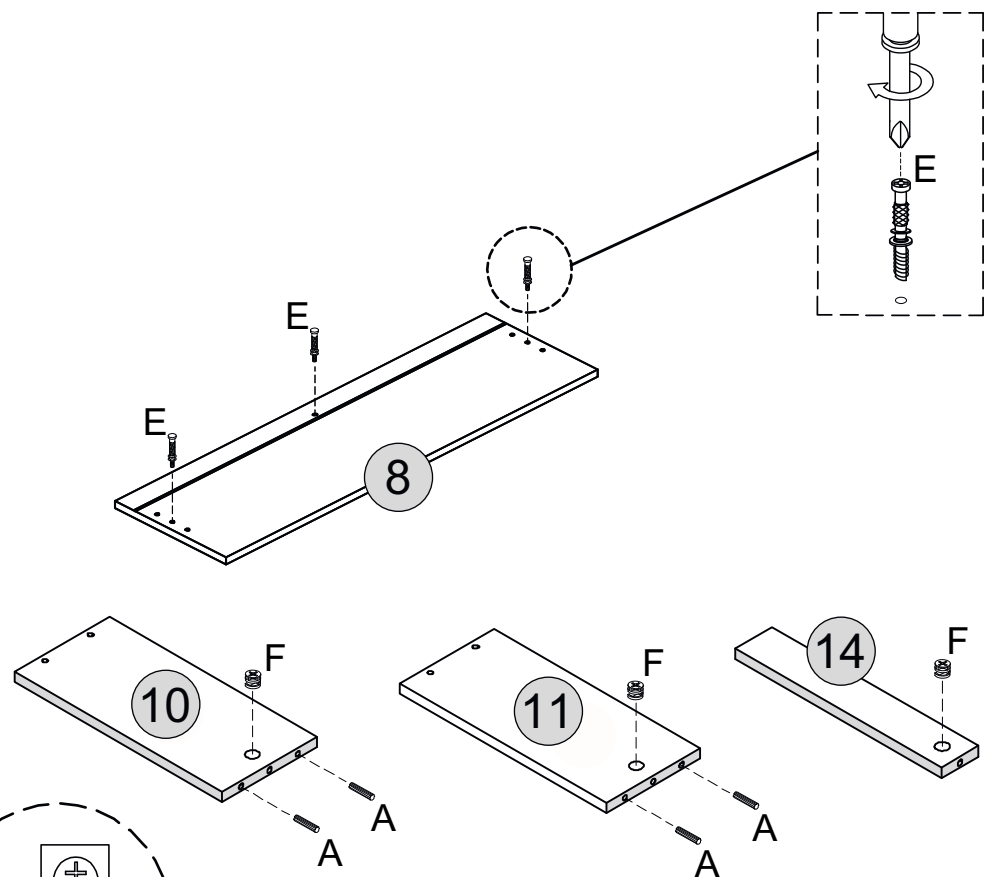
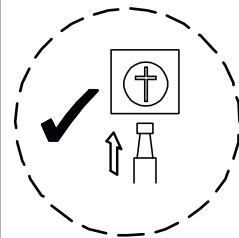
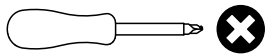
PARTS REQUIRED

- 8 - DRAWER FRONT LARGE x1
- 10 -LEFT DRAWER SIDE x1
- 11 -RIGHT DRAWER SIDE x1
- 14 -DRAWER SUPPORT x1

HARDWARE REQUIRED

- A  04
- E  03
- F  03

TOOLS REQUIRED



STEP 16

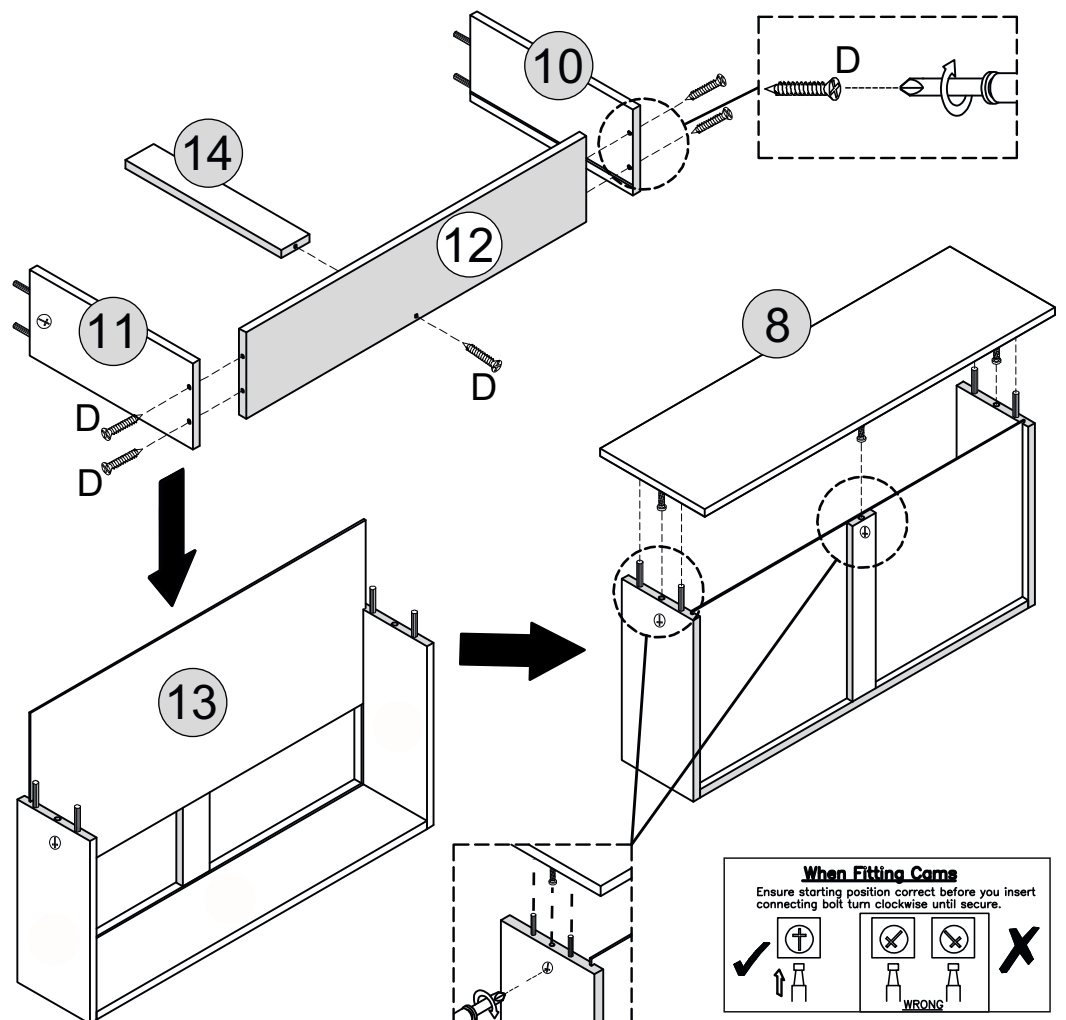
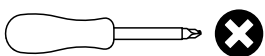
PARTS REQUIRED

- 08 -DRAWER FRONT x1
- 10 -LEFT DRAWER SIDE x1
- 11 -RIGHT DRAWER SIDE x1
- 12 -DRAWER BACK x1
- 13 -DRAWER BASE x1
- 14 -DRAWER SUPPORT x1

HARDWARE REQUIRED

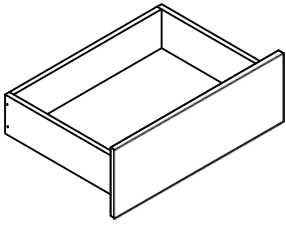
- D  4x38mm 05

TOOLS REQUIRED

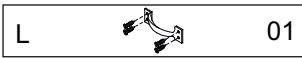
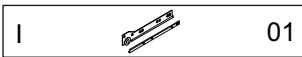
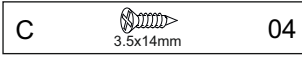


STEP 17

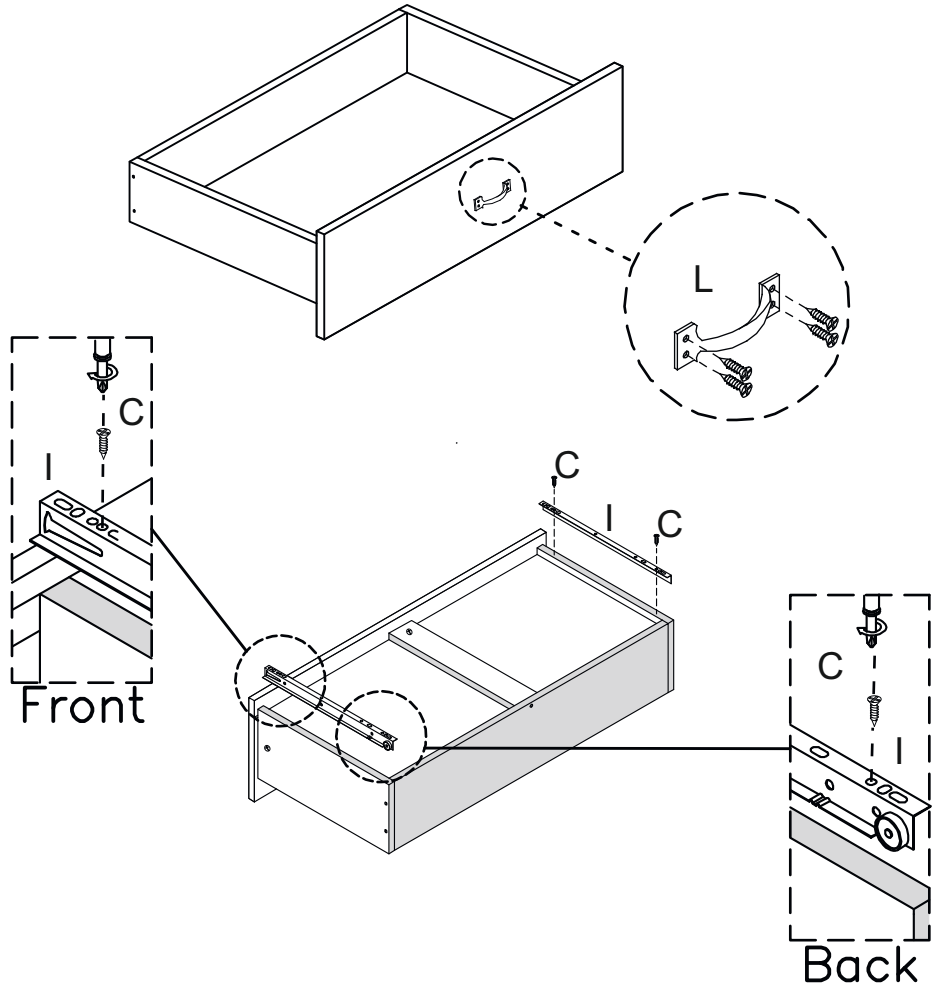
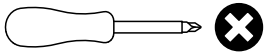
PARTS REQUIRED



HARDWARE REQUIRED

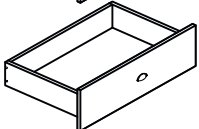
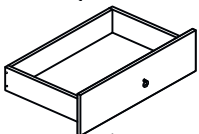
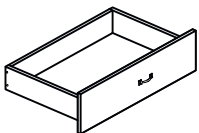
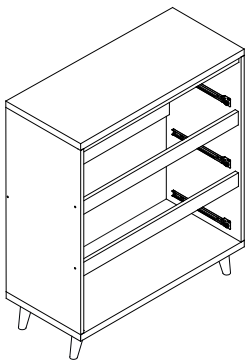


TOOLS REQUIRED

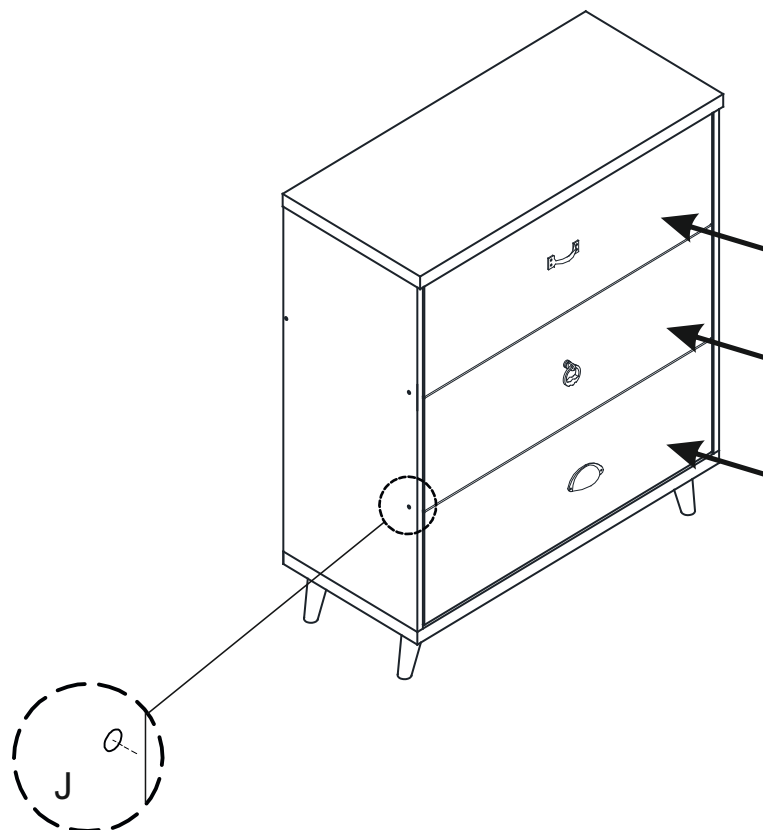
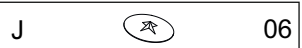


STEP 18

PARTS REQUIRED

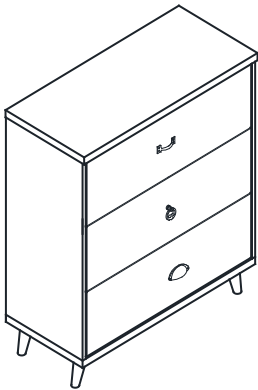


HARDWARE REQUIRED



STEP 19

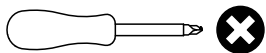
PARTS REQUIRED



HARDWARE REQUIRED



TOOLS REQUIRED



WARNING

Serious or fatal injuries can occur from furniture tipping over. To prevent the furniture from tipping over we recommend that it is permanently fixed to the wall.

Wall fixings are not supplied with this product as different wall materials require different types of fixing devices. Please make sure you use fixings suitable for the walls in your home.

