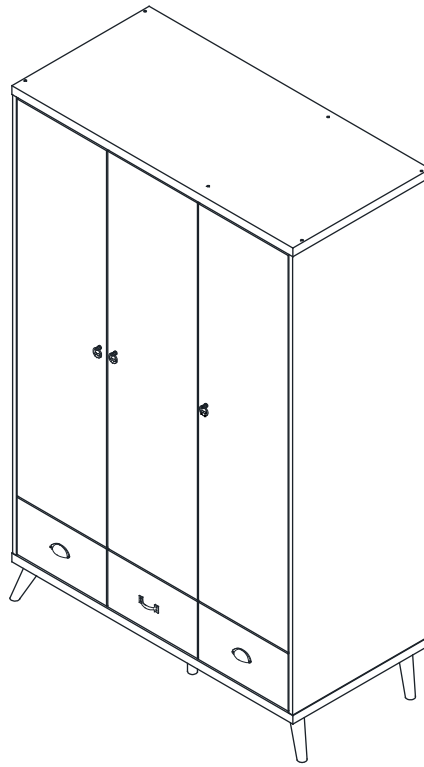


GREY/CHARCOAL CONCRETE EFFECT NORDIC 3 DOOR 3 DRAWER WARDROBE ASSEMBLY INSTRUCTIONS



**FOR DOMESTIC USE ONLY
IMPORTANT**

PLEASE READ BEFORE YOU CONTINUE FURTHER

THE PRODUCT YOU HAVE PURCHASED WILL GIVE YOU MANY YEARS OF SERVICE IF YOU FOLLOW THE GUIDELINES FOR ITS SAFE ASSEMBLY AND PERIODIC MAINTENANCE **AND CLEANING.**

ASSEMBLE ON A SOFT CLEAN **SURFACE.**

DO NOT USE ANY TOOLS OTHER THAN THOSE **SHOWN.**

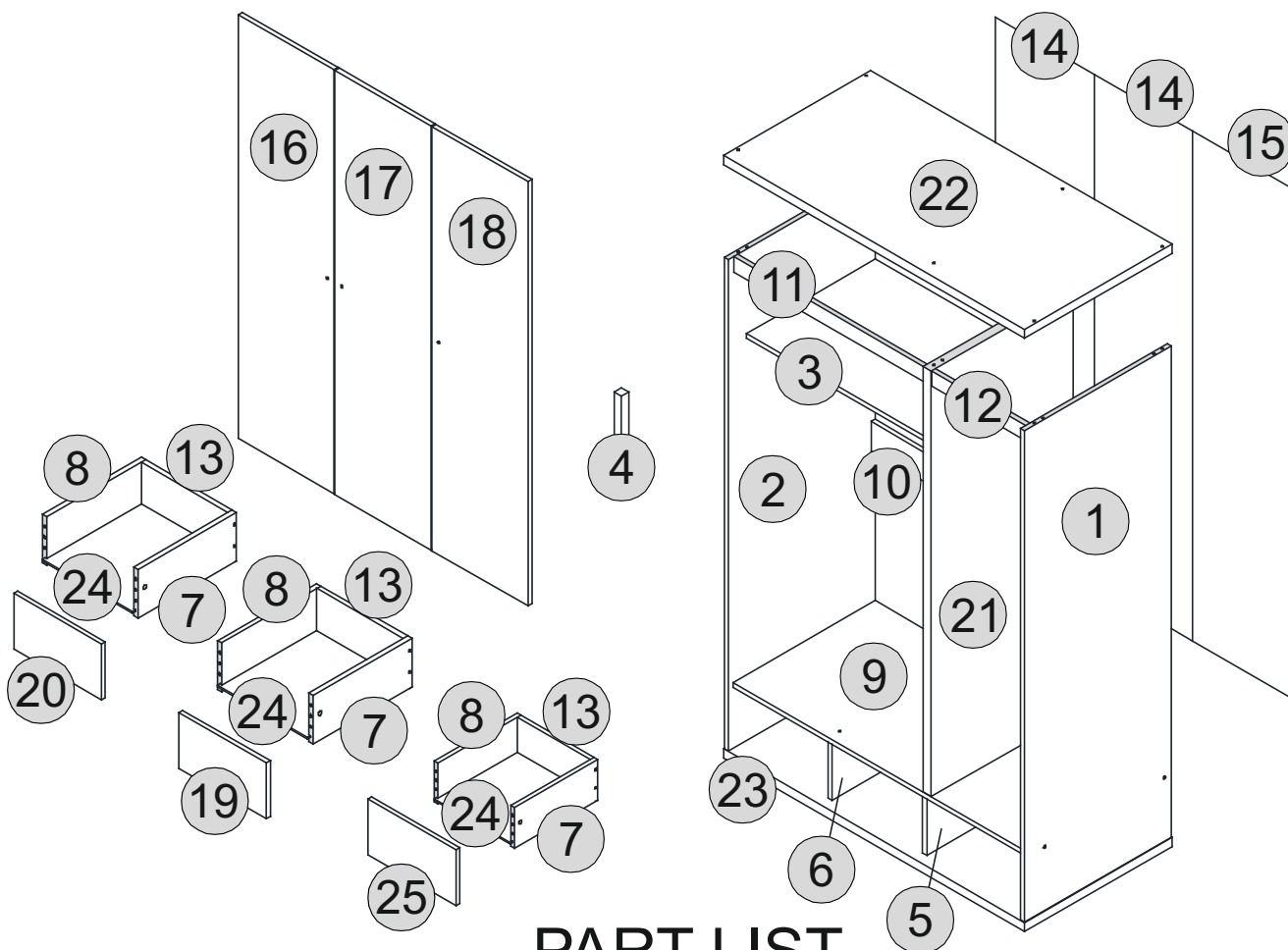
ANY SPANNERS OR ALLEN KEYS REQUIRED ARE INCLUDED WITH THE **FITTINGS KIT.**

DO NOT FOR ANY REASON USE A POWER TOOL TO ASSEMBLE THIS PRODUCT. ITS USE WILL INVALIDATE ANY CLAIM YOU MAY HAVE AND COULD MAKE THIS PRODUCT UNSAFE.

DEPENDING ON THE AMOUNT OF USE THIS PRODUCT RECEIVES, IT MAY BE NECESSARY TO TIGHTEN UP THE FIXINGS FROM TIME TO TIME. THIS IS COMPLETELY NORMAL FOR ANY FLAT PACK FURNITURE. DO NOT OVERTIGHTEN FIXINGS.

FOR CLEANING, YOU MAY USE A DAMP CLOTH (NOT WET). DO NOT USE POLISH, DETERGENT OR CHEMICAL CLEANERS.

THE SURFACE OF THIS ITEM IS NOT HEAT RESISTANT. ALWAYS USE A PLACE MAT UNDER HOT OR COLD ITEMS TO PREVENT MARKING.



PART LIST

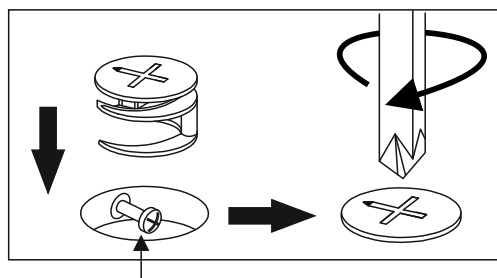
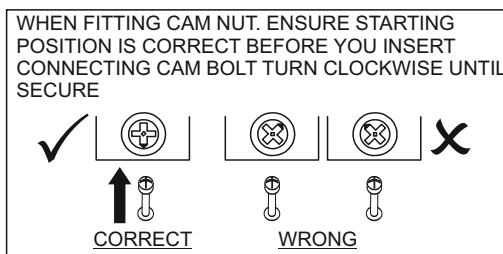
Part Number	Part Code	Part Description	Quantity	Carton
1	S100-101-163-TA1-01	Right Side Panel	1	1/3
2	S100-101-163-TA1-02	Left Side Panel	1	1/3
3	S100-101-163-TA1-03	Shelf Panel	1	2/3
4	S100-101-163-TA1-04	Centre Wooden Leg	1	2/3
5	S100-101-163-TA1-05	Bottom Centre Panel	1	2/3
6	S100-101-163-TA1-06	Bottom Centre Panel	1	2/3
7	S100-101-163-TA1-07	Right Drawer Side Panel	3	3/3
8	S100-101-163-TA1-08	Left Drawer Side Panel	3	3/3
9	S100-101-163-TA1-09	Bottom Shelf Panel	1	2/3
10	S100-101-163-TA1-10	Support Panel	1	3/3
11	S100-101-163-TA1-11	Top Support Bar (Large)	1	2/3
12	S100-101-163-TA1-12	Top Support Bar (Small)	1	3/3
13	S100-101-163-TA1-13	Drawer Back	3	3/3
14	S100-101-163-TA1-14	Back Panel	2	1/3
15	S100-101-163-TA1-15	Back Panel	1	1/3
16	S100-101-163-TA1-16	Left Door	1	3/3
17	S100-101-163-TA1-17	Centre Door	1	3/3
18	S100-101-163-TA1-18	Right Door	1	3/3
19	S100-101-163-TA1-19	Centre Drawer Front	1	3/3
20	S100-101-163-TA1-20	Left Drawer Front	1	3/3
21	S100-101-163-TA1-21	Centre Panel	1	1/3
22	S100-101-163-TA1-22	Top Panel	1	2/3
23	S100-101-163-TA1-23	Bottom Panel	1	2/3
24	S100-101-163-TA1-24	Drawer Bottom	3	2/3
25	S100-101-163-TA1-25	Right Drawer Front	1	3/3

HARDWARE LIST

No.	Part Name		Qty	Carton
A	Wooden Dowel (6x25mm)		x48	2
C	45mm Screw (4x45mm)		x28	2
D	38mm Screw (4x38mm)		x12	2
F	14mm Screw (3.5x14mm)		x94	2
G	Minifix Cam Bolt (80327)		x6	2
H	Minifix Cam Nut (1512)		x6	2
I	14" Drawer Slide (0.9mm W (vkt))		x3	2
J	6/8" Nail		x125	2
K	Handle + Screw L-3510 (3x16mm=4pcs)		x1	2
L	Handle + Screw T-4538 (4x20mm=3pcs)		x3	2

No.	Part Name		Qty	Carton
M	Handle + Screw Y-8238 (3x16mm=4pcs)		x2	2
N	Wall Fixings (4x20mm=1pc)		x1	2
O	Wooden Leg+Plastic Foot		x4	2
P	Hanging Rail (700mm)		x1	1
Q	Hanging Rail (342mm)		x1	1
R	Hanging Rail Support		x4	2
S	Screw Cover		x7	2
T	PVC L-Bracket		x2	2
U	End Hinges (M11)		x6	2
V	Centre Hinges (M11-c)		x3	2
W	JCBC Screw (6x50mm=1pc)		x1	2
X	Allen Key (M6)		x1	2

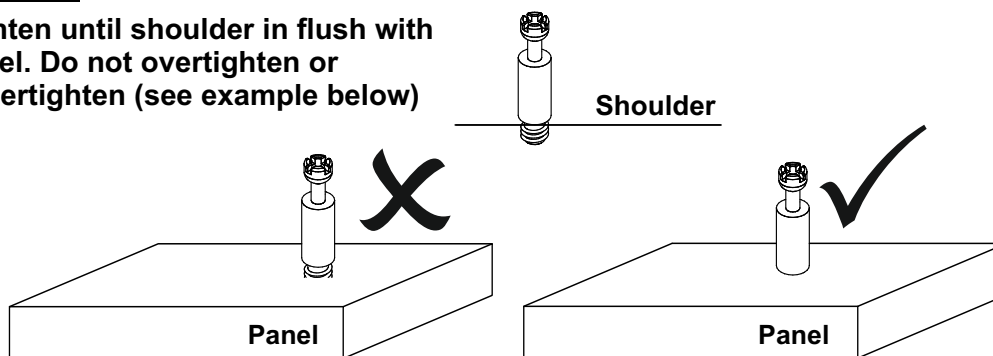
TIPS FOR FITTINGS CAM-LOCKS



Cam bolt head needs to be in centre

CAMBOLT

Tighten until shoulder in flush with panel. Do not overtighten or undertighten (see example below)

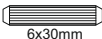



STEP 1

PARTS REQUIRED

2 - LEFT SIDE PANEL x1

HARDWARE REQUIRED

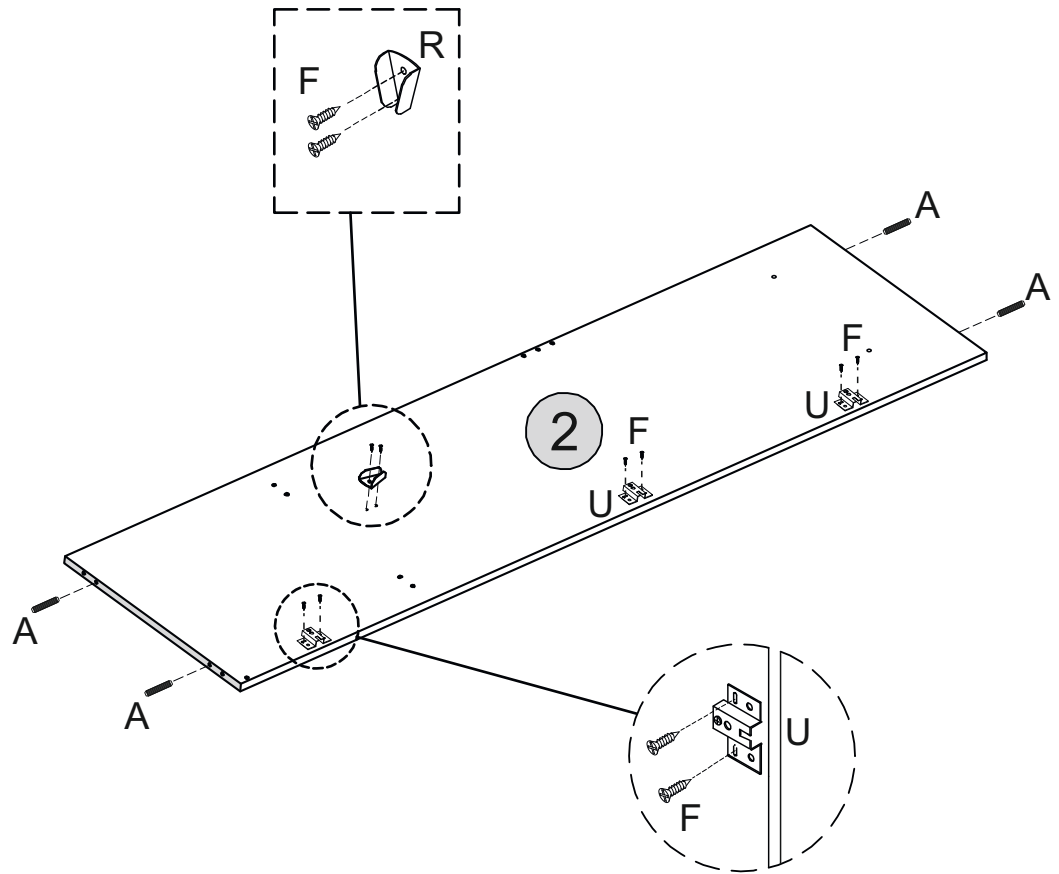
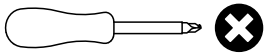
A  6x30mm 04

F  3.5x14mm 08

R  01

U  03

TOOLS REQUIRED

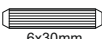


STEP 2

PARTS REQUIRED


1 - RIGHT SIDE PANEL x1

HARDWARE REQUIRED

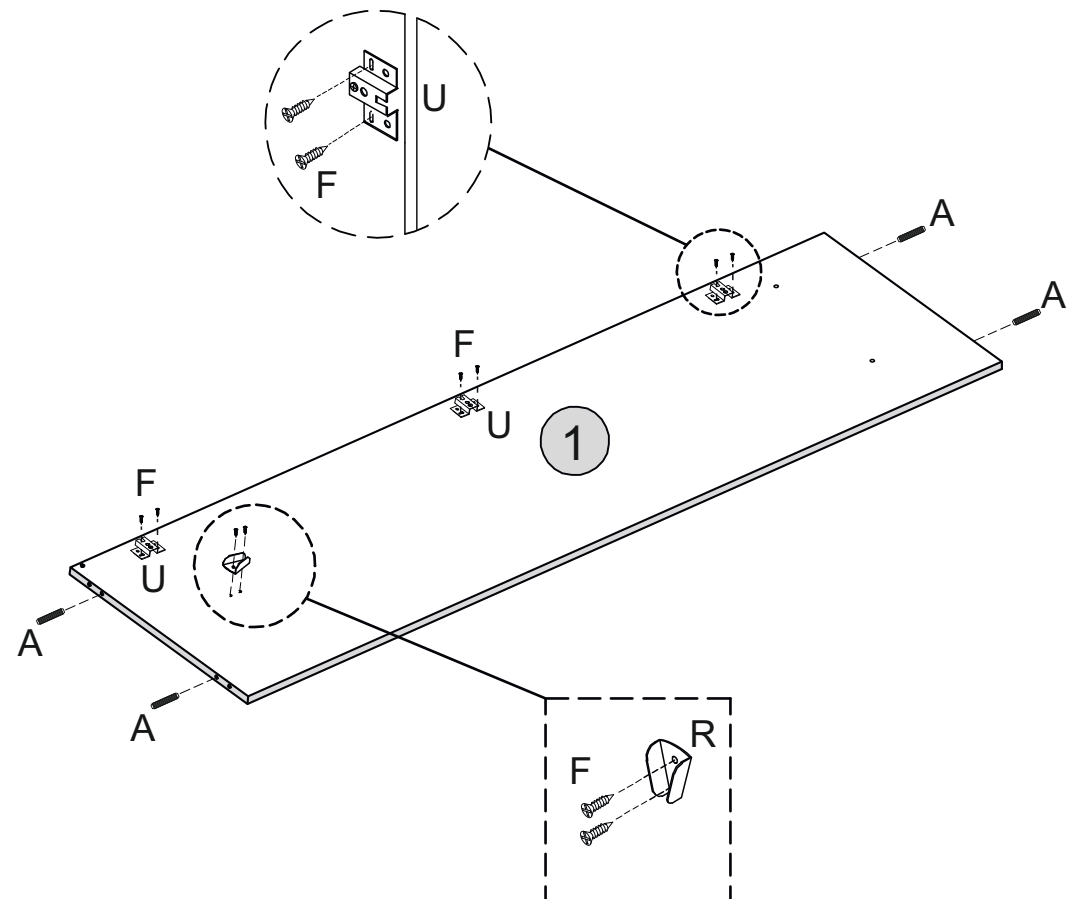
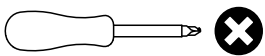
A  6x30mm 04

F  3.5x14mm 08

R  01

U  03

TOOLS REQUIRED

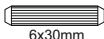



STEP 3

PARTS REQUIRED

21 - CENTRE PANEL x1

HARDWARE REQUIRED

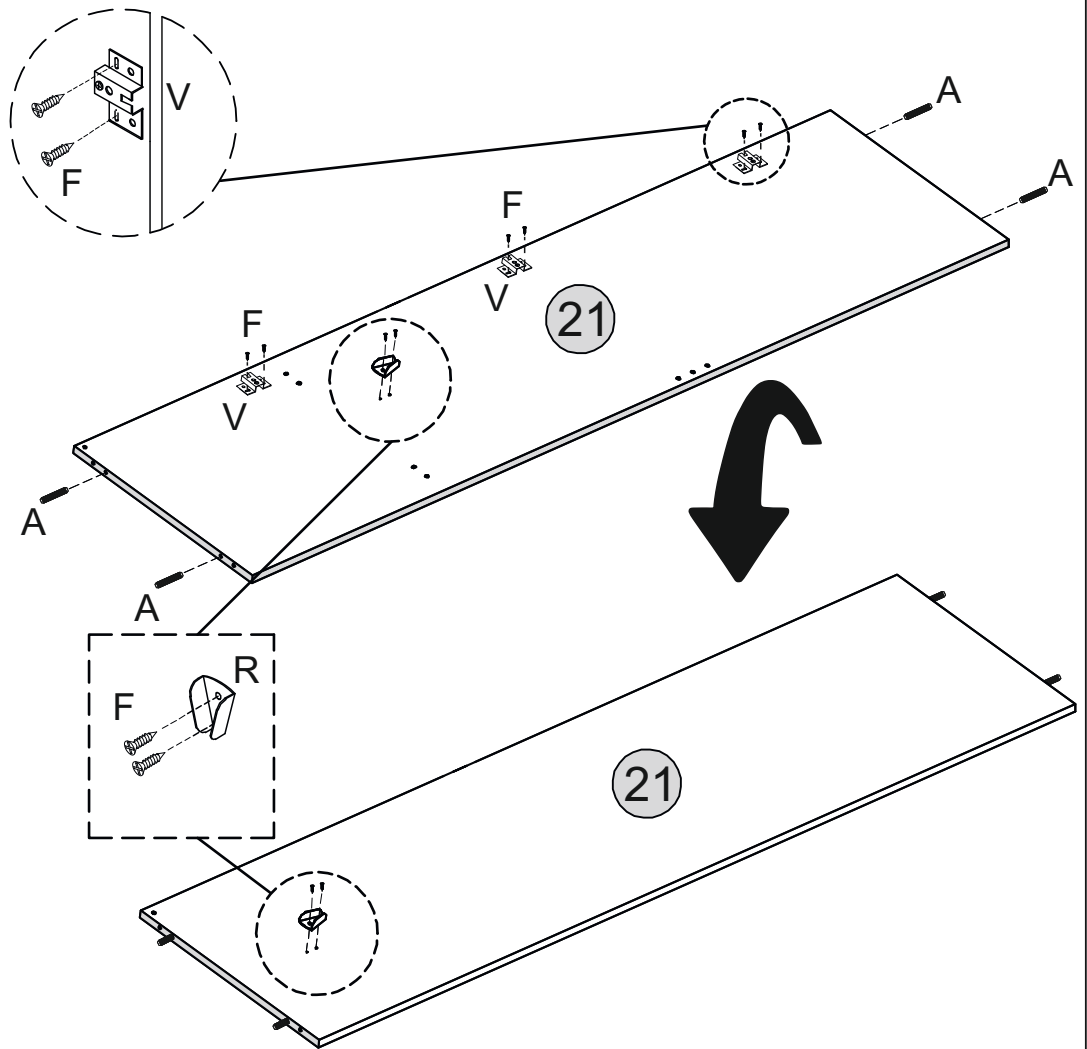
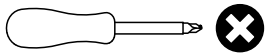
A  04
6x30mm

F  10
3.5x14mm

R  02

V  03

TOOLS REQUIRED




STEP 4

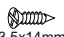
PARTS REQUIRED

1 - RIGHT SIDE PANEL x1

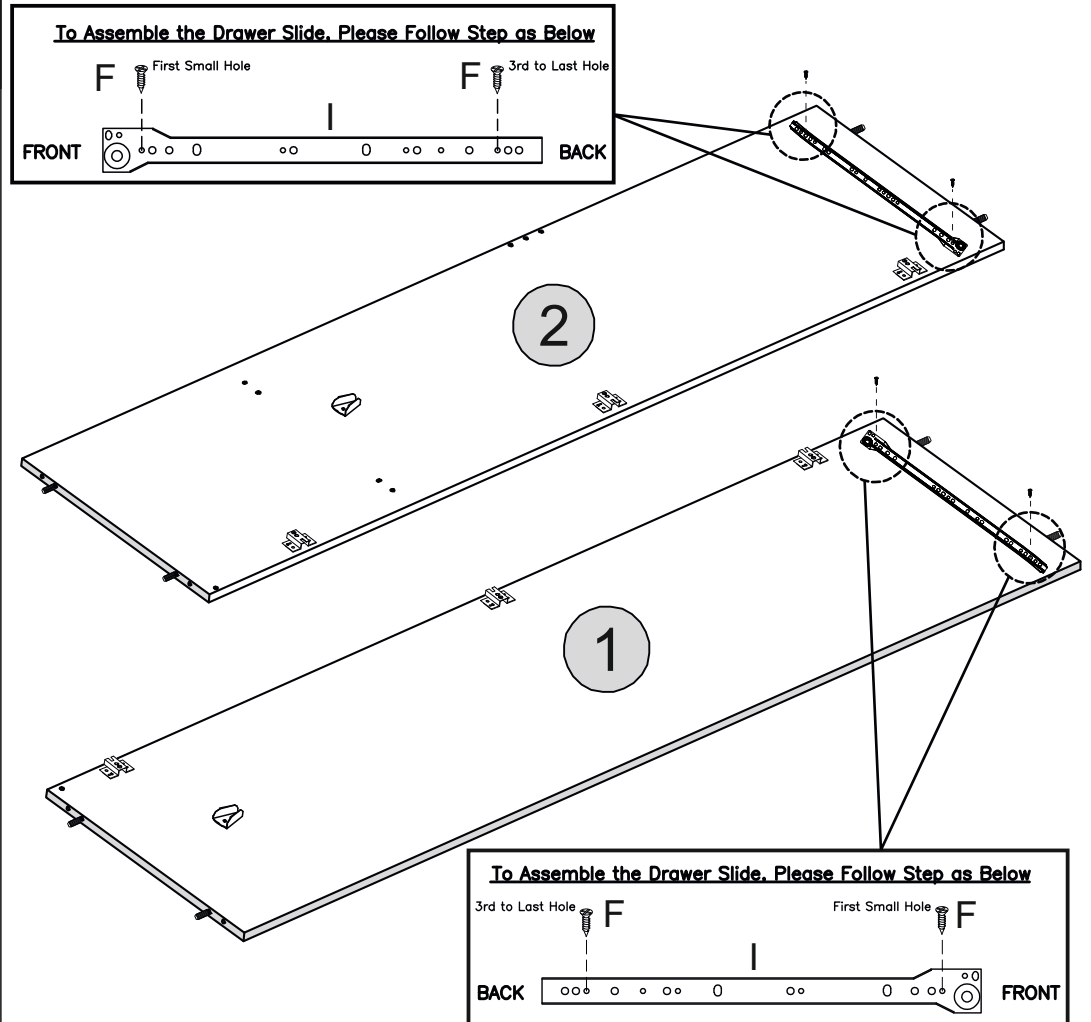
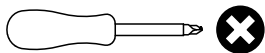
2 - LEFT SIDE PANEL x1

HARDWARE REQUIRED

I  02

F  04
3.5x14mm

TOOLS REQUIRED




STEP 5

PARTS REQUIRED

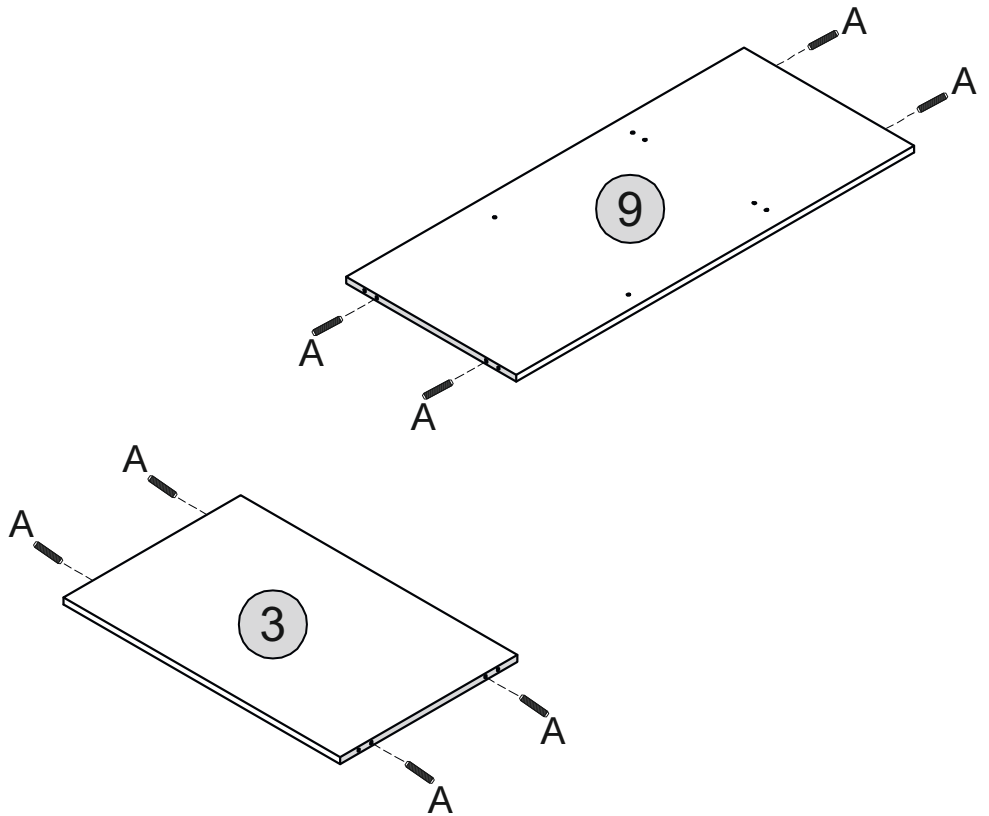
3 - SHELF PANEL x1

9 - BOTTOM SHELF PANEL x1

HARDWARE REQUIRED

A  08

TOOLS REQUIRED



STEP 6


PARTS REQUIRED

10 - SUPPORT PANEL x1

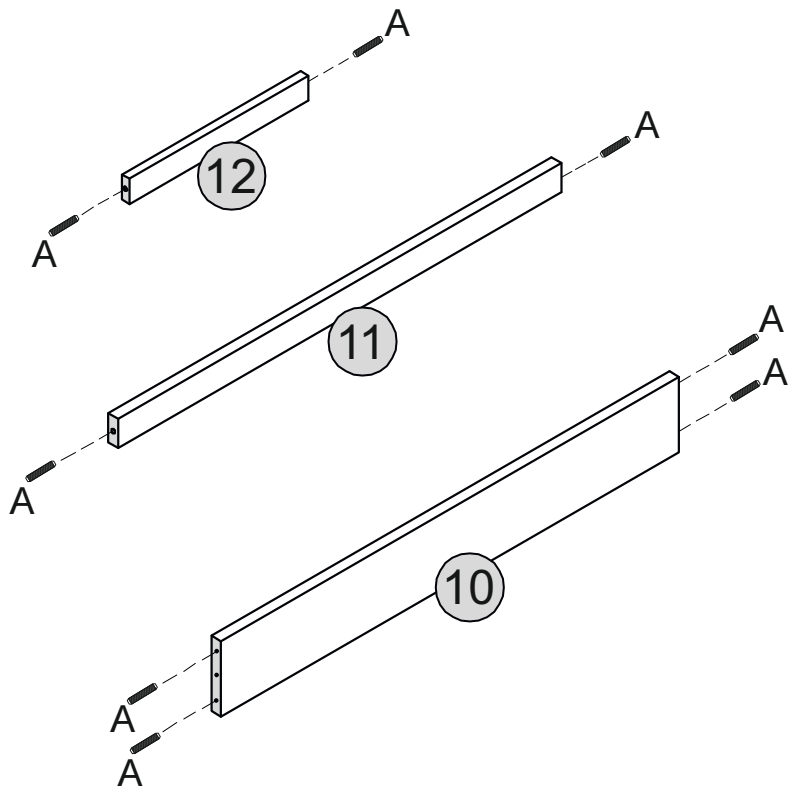
11 - TOP SUPPORT BAR(LARGE) x1

12 - TOP SUPPORT BAR(SMALL) x1

HARDWARE REQUIRED

A  08

TOOLS REQUIRED

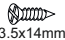


STEP 7

PARTS REQUIRED

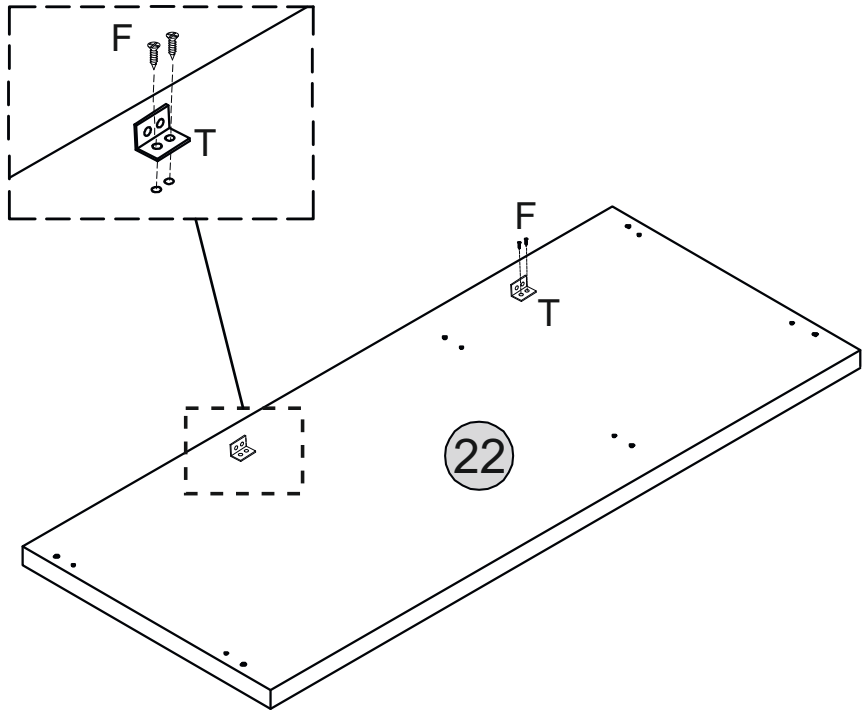
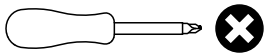
22 - TOP PANEL x1

HARDWARE REQUIRED

F  04
3.5x14mm

T  02

TOOLS REQUIRED



STEP 8


PARTS REQUIRED

3 - SHELF PANEL x1

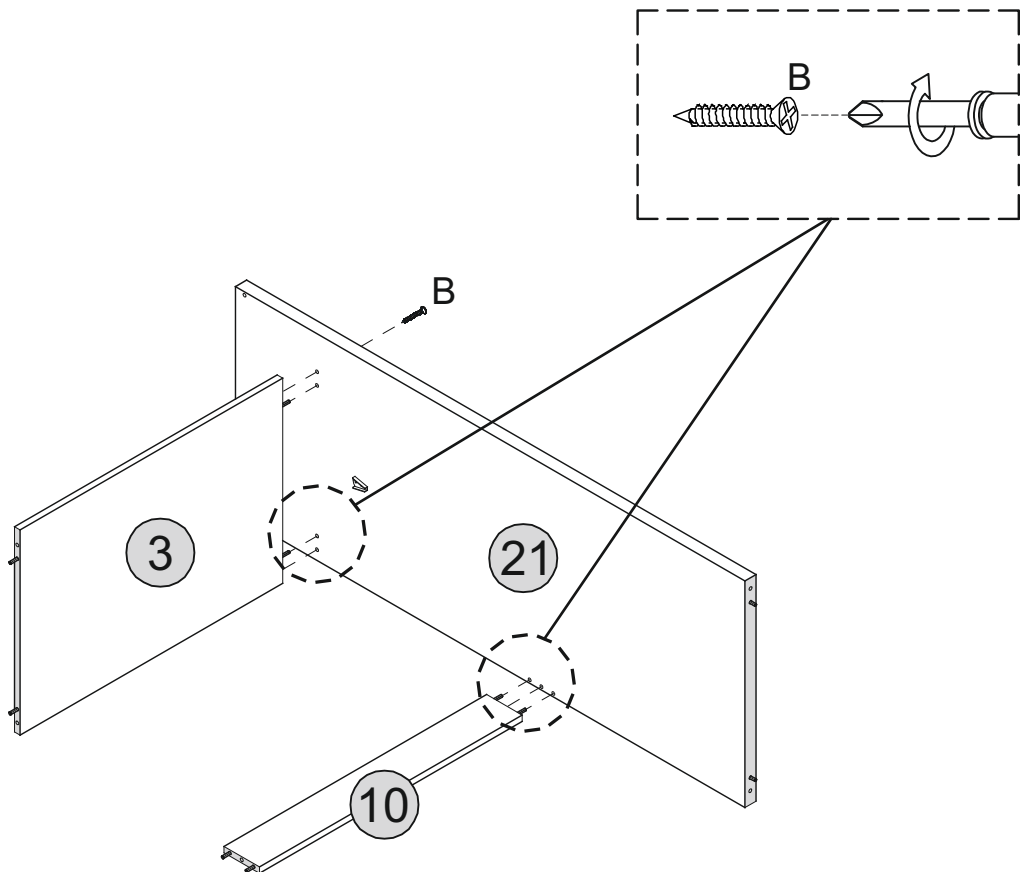
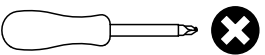
10 - SUPPORT PANEL x1

21 - CENTRE PANEL x1

HARDWARE REQUIRED

C  03
4x45mm

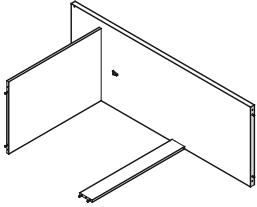
TOOLS REQUIRED



STEP 9

PARTS REQUIRED

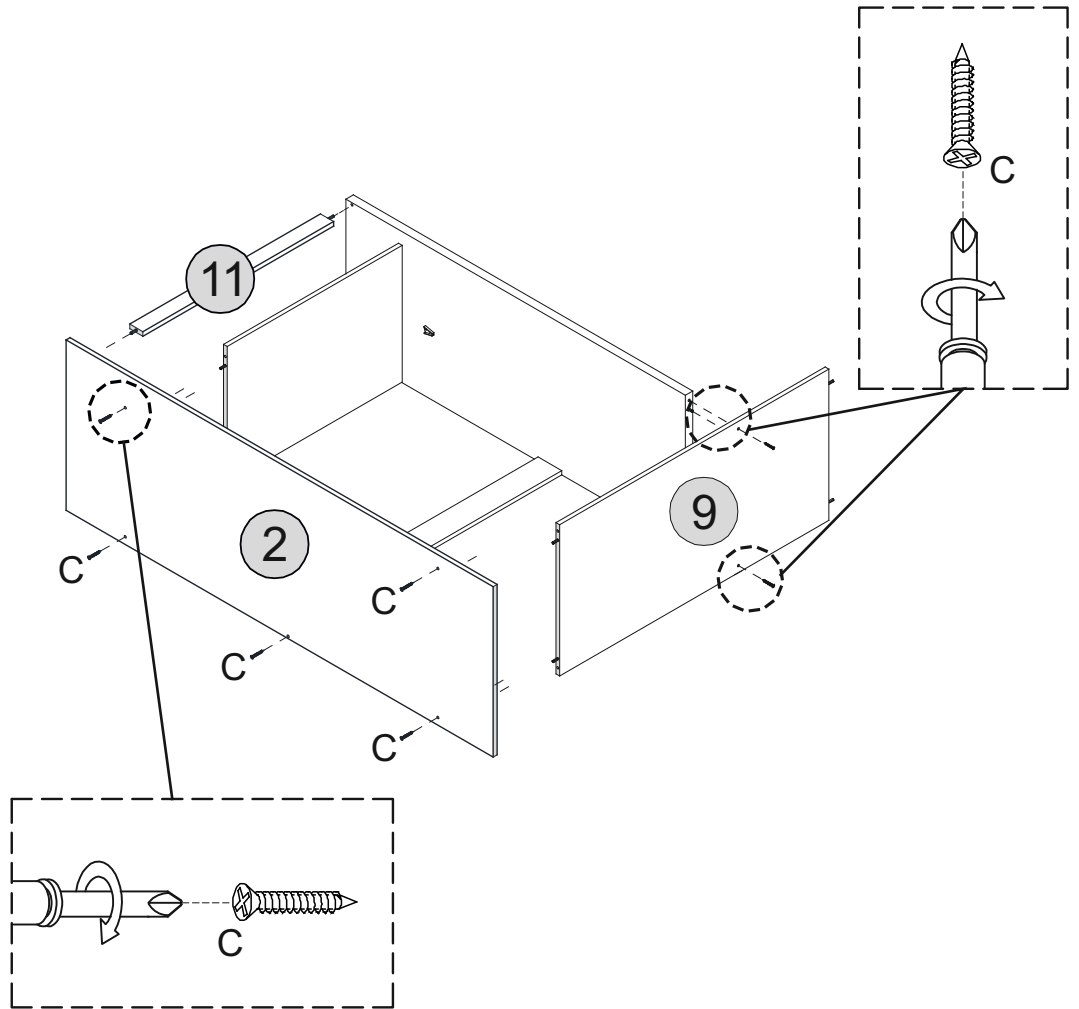
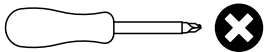
- 2 - LEFT SIDE PANEL x1
- 9 - BOTTOM SHELF PANEL x1
- 11- TOP SUPPORT BAR(LARGE) x1



HARDWARE REQUIRED



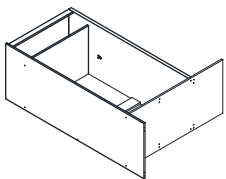
TOOLS REQUIRED



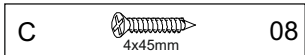
STEP 10

PARTS REQUIRED

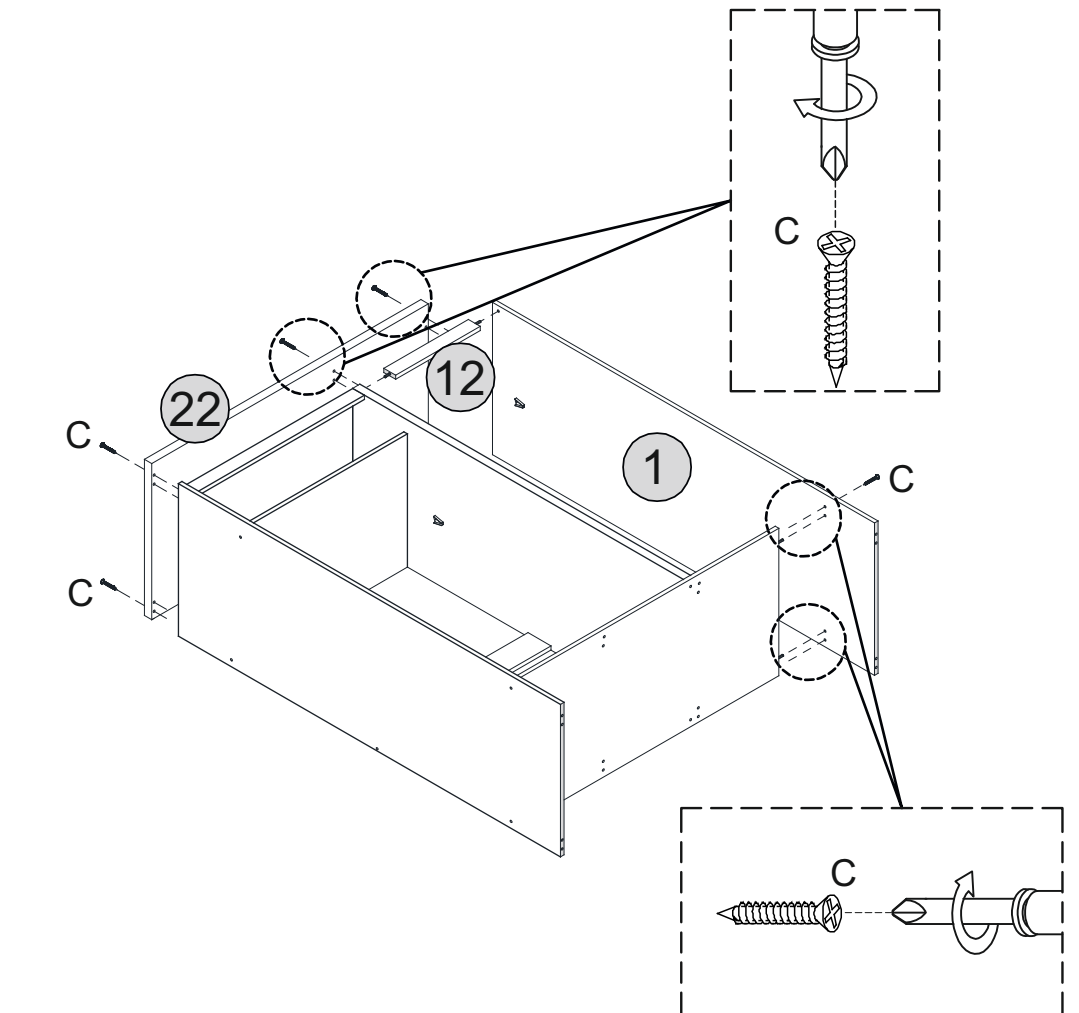
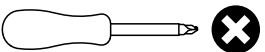
- 1 - RIGHT SIDE PANEL x1
- 12- TOP SUPPORT BAR(SMALL) x1
- 22- TOP PANEL x1



HARDWARE REQUIRED



TOOLS REQUIRED



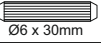
STEP 11

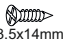
PARTS REQUIRED

5 - BOTTOM CENTRE PANEL x1

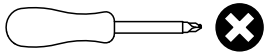
6 - BOTTOM CENTRE PANEL x1

HARDWARE REQUIRED

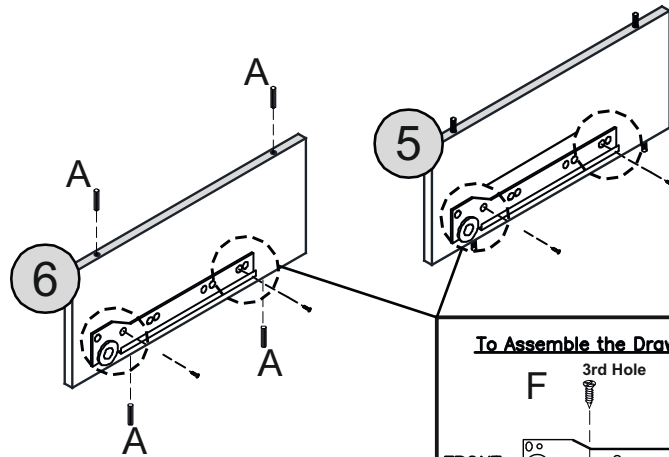
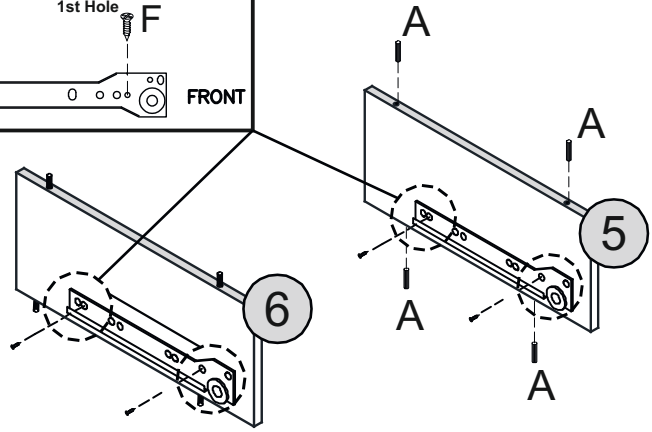
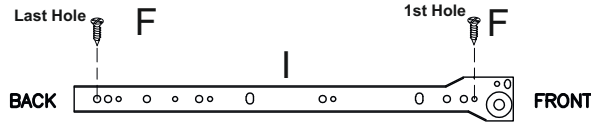
A  08

F  08

TOOLS REQUIRED



To Assemble the Drawer Slide. Please Follow Step as Below



To Assemble the Drawer Slide. Please Follow Step as Below



STEP 12


PARTS REQUIRED

5 - BOTTOM CENTRE PANEL x1

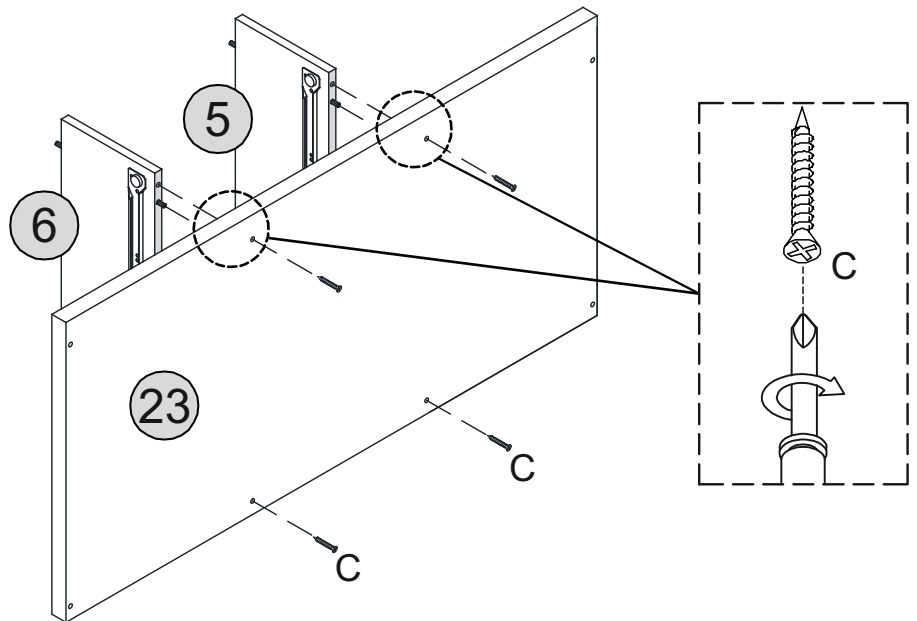
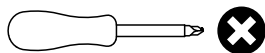
6 - BOTTOM CENTRE PANEL x1

23- BOTTOM PANEL x1

HARDWARE REQUIRED

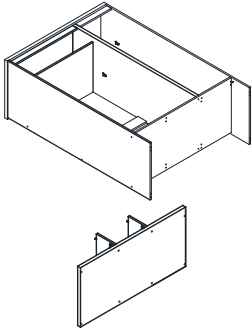
C  04

TOOLS REQUIRED

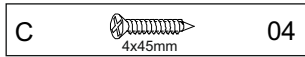


STEP 13

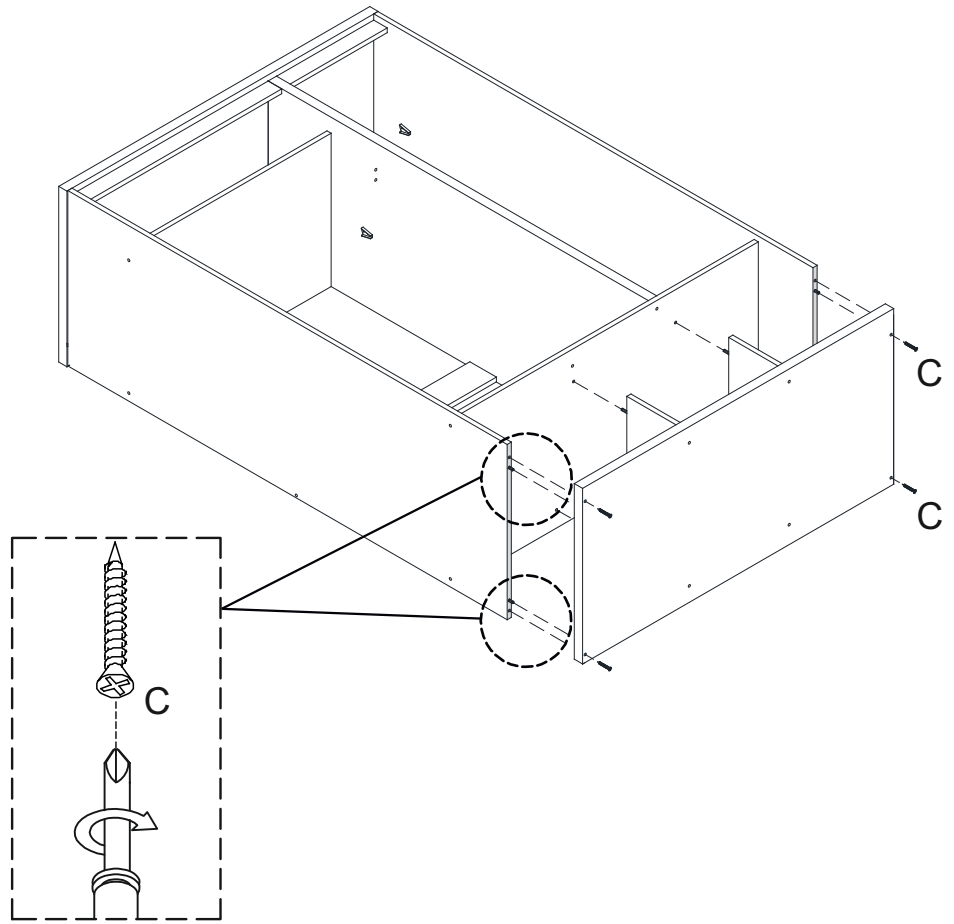
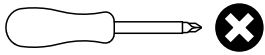
PARTS REQUIRED



HARDWARE REQUIRED



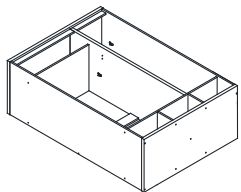
TOOLS REQUIRED



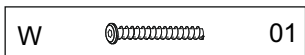
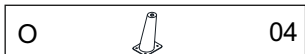
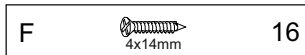
STEP 14

PARTS REQUIRED

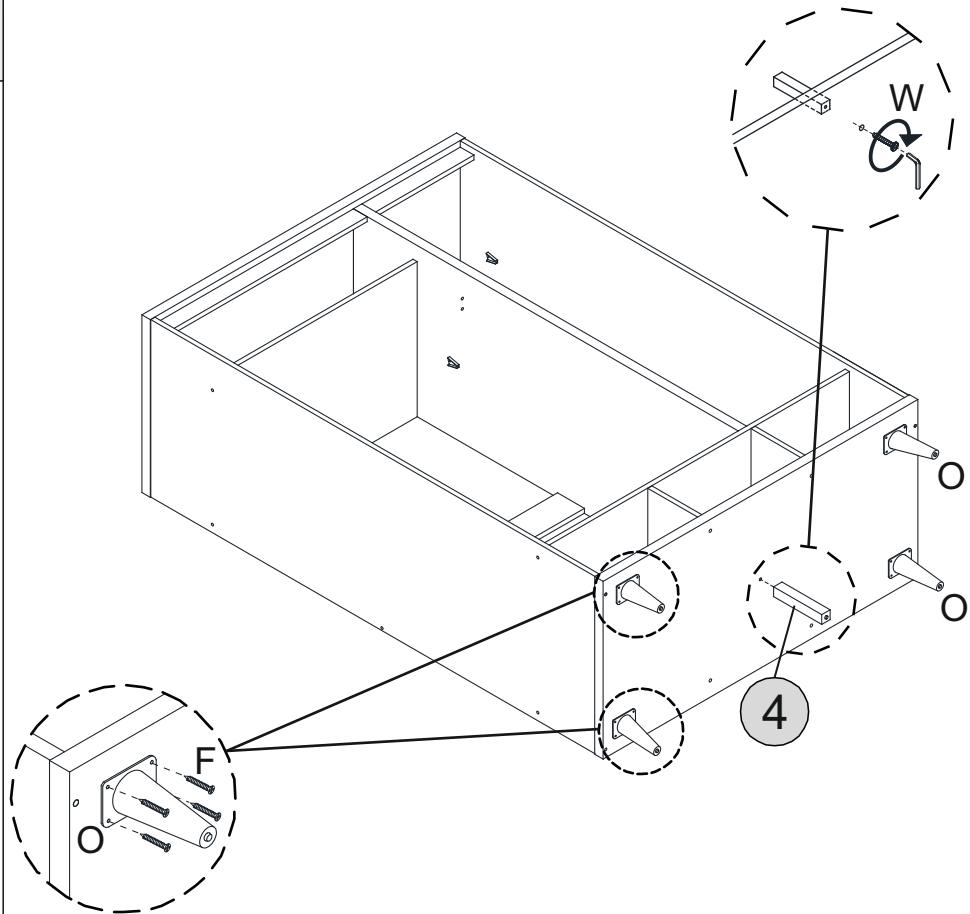
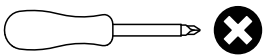
4 - CENTRE WOODEN LEG x1



HARDWARE REQUIRED



TOOLS REQUIRED

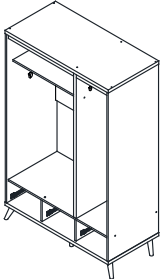


STEP 15

PARTS REQUIRED

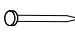
14 - BACK PANEL x2

15 - BACK PANEL x1

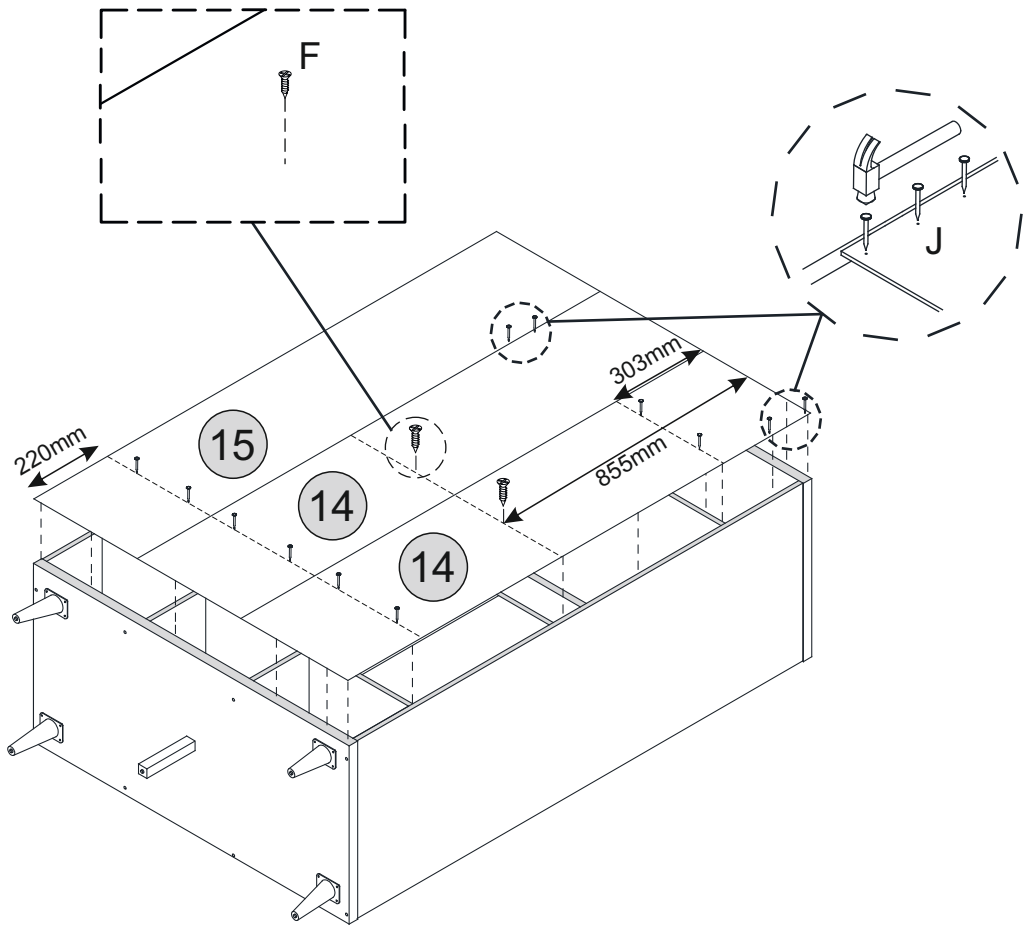
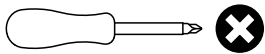
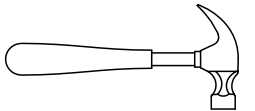


HARDWARE REQUIRED

F  02
3.5x14mm

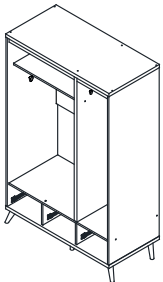
J  125

TOOLS REQUIRED



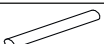
STEP 16

PARTS REQUIRED



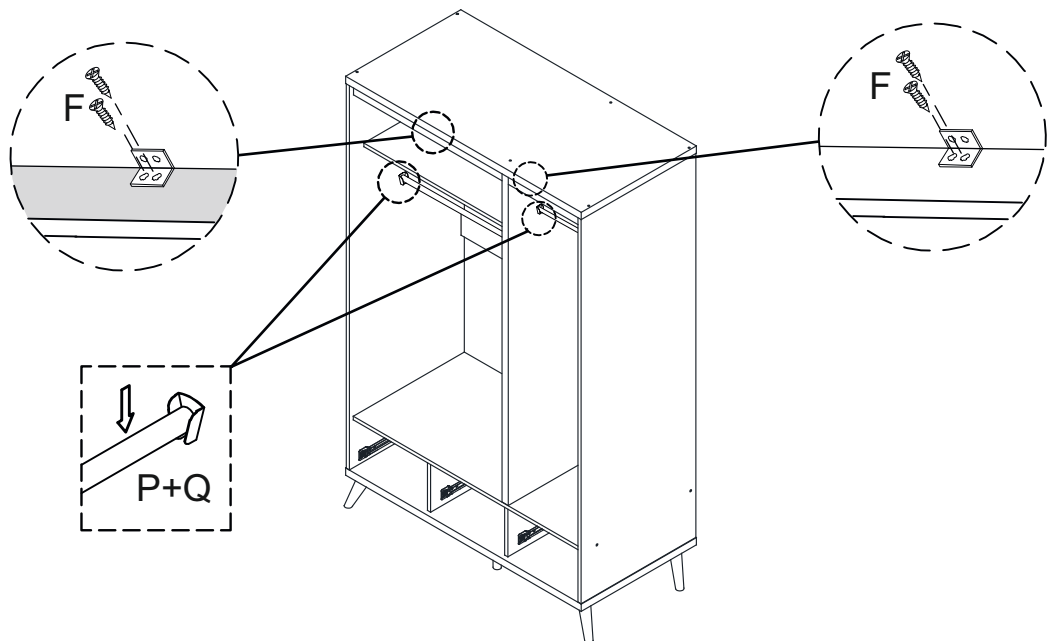
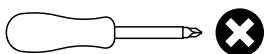
HARDWARE REQUIRED

F  04
3.5x14mm

P  01

Q  01

TOOLS REQUIRED

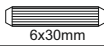
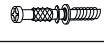



STEP 17

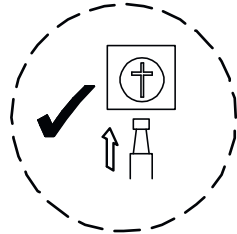
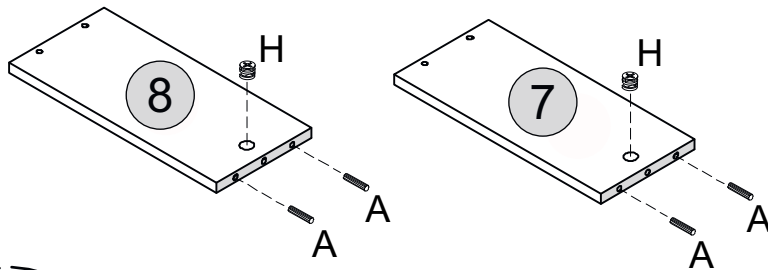
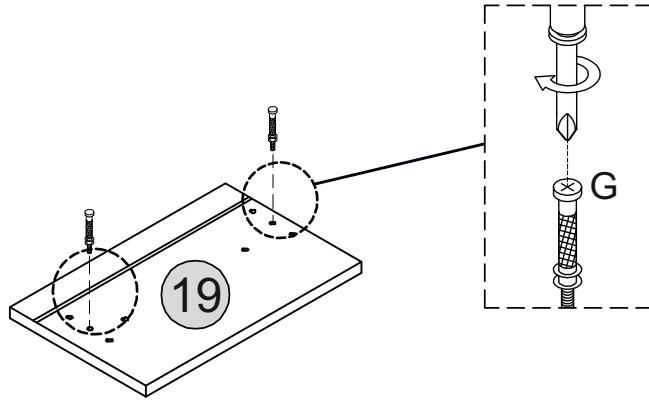
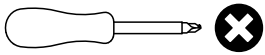
PARTS REQUIRED

- 7 - RIGHT DRAWER SIDE x1
- 8 - LEFT DRAWER SIDE x1
- 19 - CENTRE DRAWER FRONT x1

HARDWARE REQUIRED

- A  04
6x30mm
- G  02
- H  02

TOOLS REQUIRED

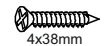


STEP 18

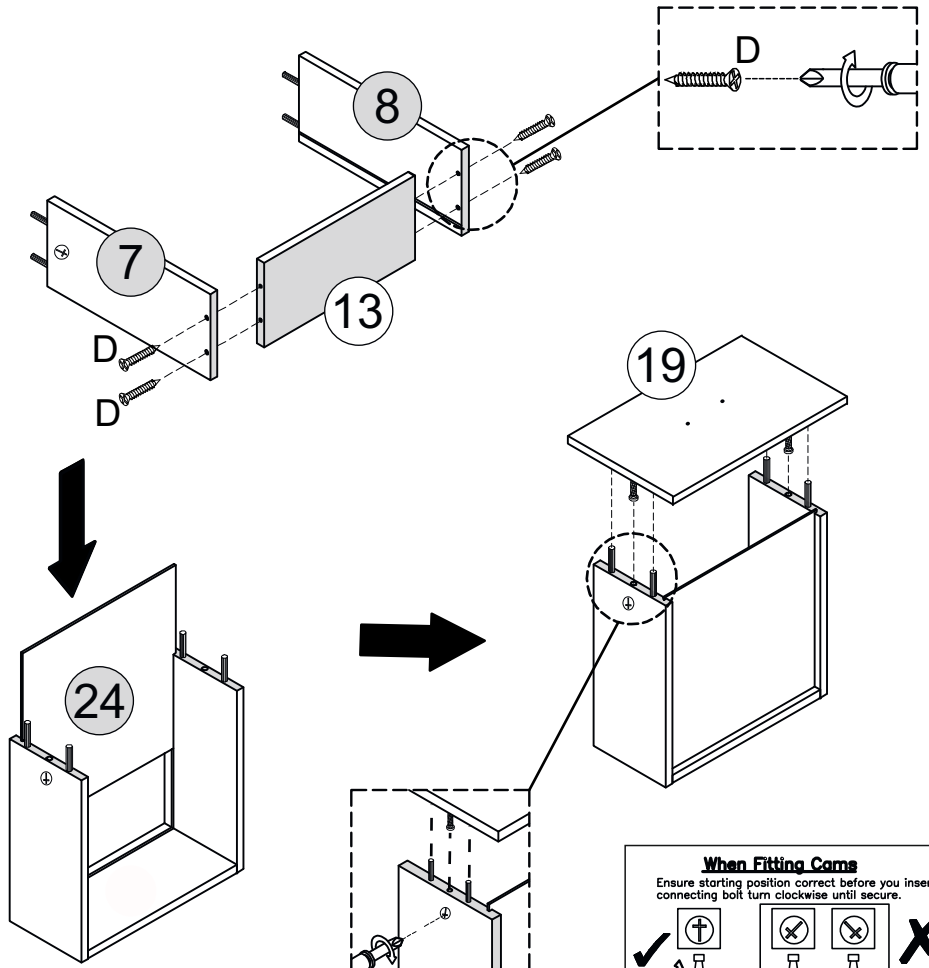
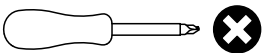
PARTS REQUIRED

- 7 - RIGHT DRAWER SIDE x1
- 8 - LEFT DRAWER SIDE x1
- 13 - DRAWER BACK x1
- 19 - CENTRE DRAWER FRONT x1
- 24 - DRAWER BOTTOM x1

HARDWARE REQUIRED

- D  04
4x38mm

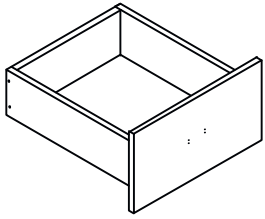
TOOLS REQUIRED



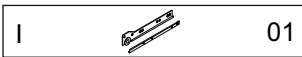
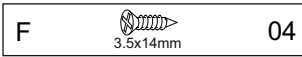
When Fitting Cams
Ensure starting position correct before you insert connecting bolt turn clockwise until secure.

STEP 19

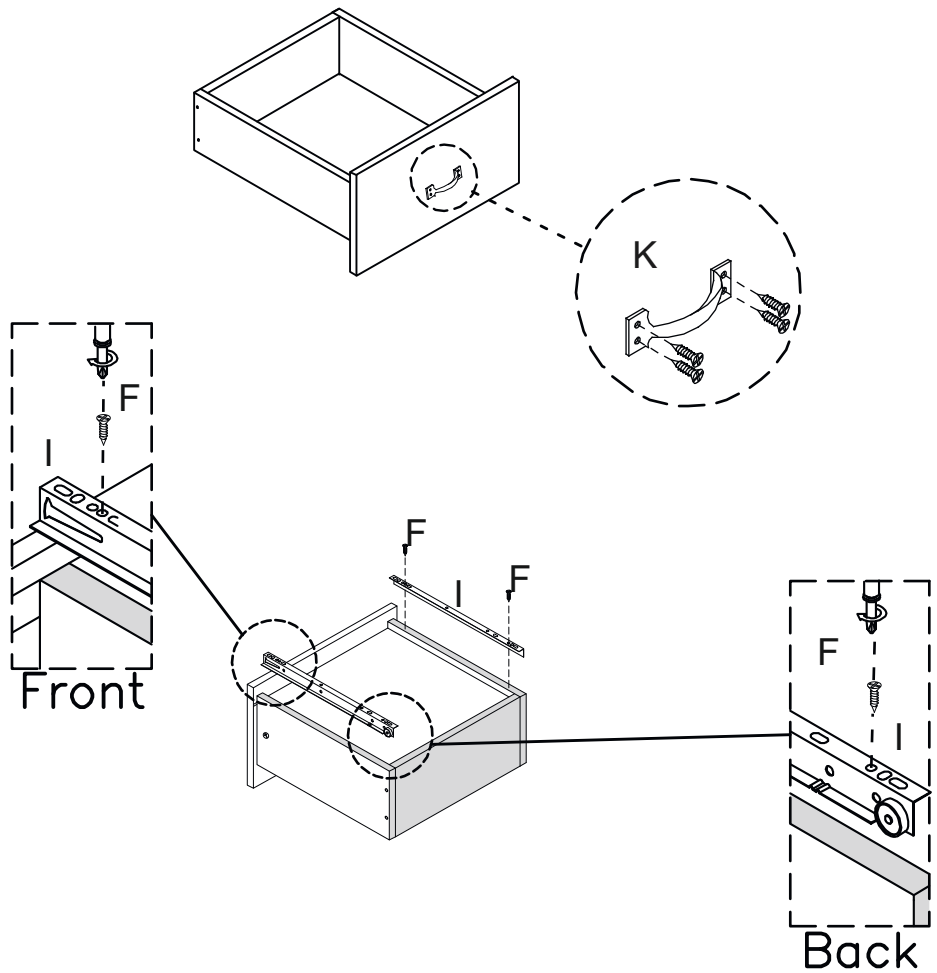
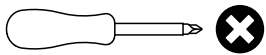
PARTS REQUIRED



HARDWARE REQUIRED



TOOLS REQUIRED

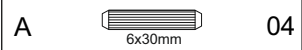


STEP 20

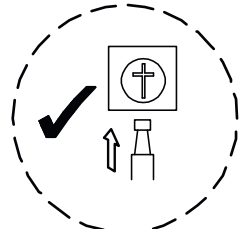
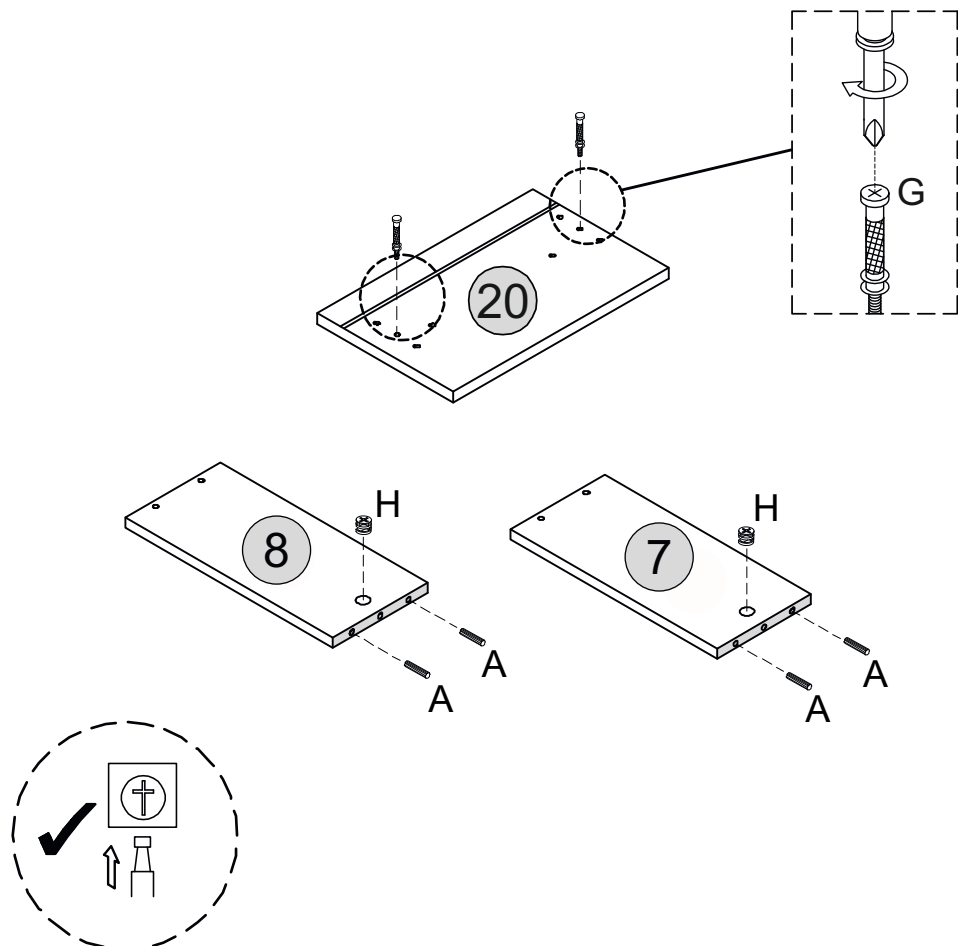
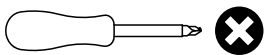
PARTS REQUIRED



HARDWARE REQUIRED



TOOLS REQUIRED

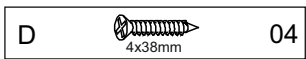


STEP 21

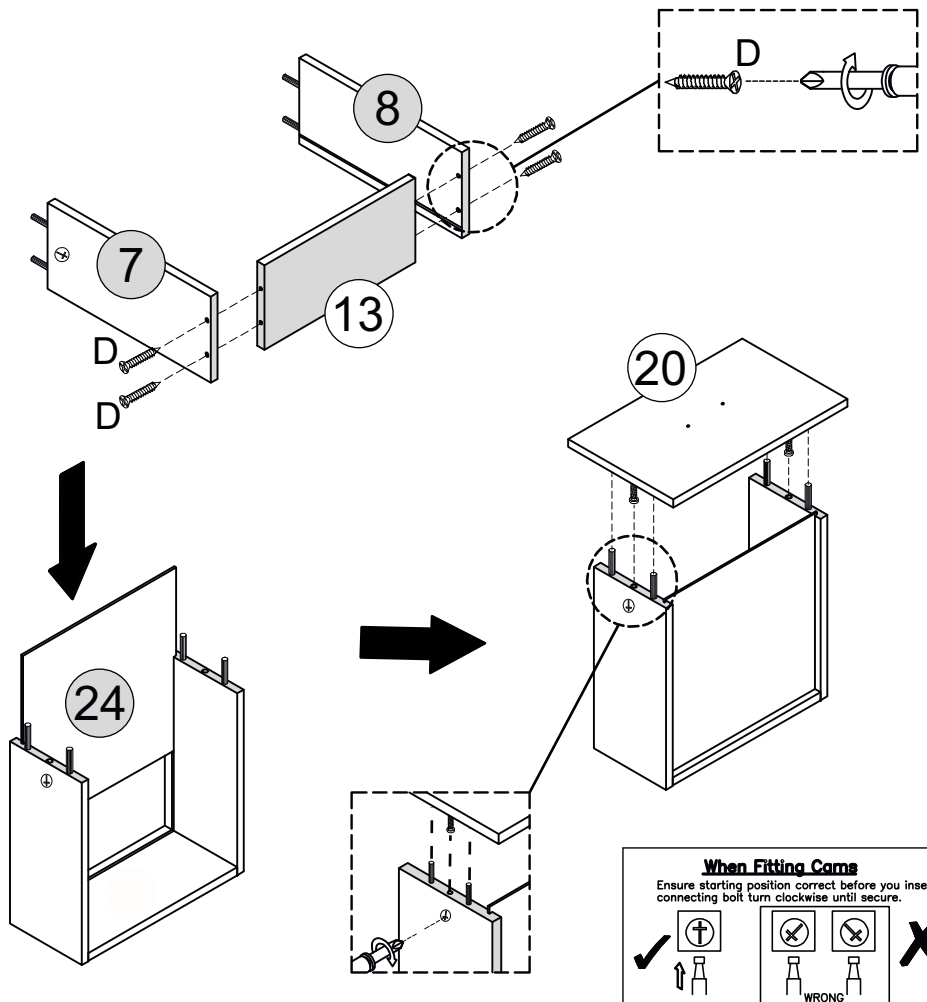
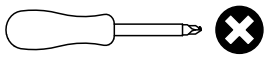
PARTS REQUIRED

7 - RIGHT DRAWER SIDE	x1
8 - LEFT DRAWER SIDE	x1
13 - DRAWER BACK	x1
20 - LEFT DRAWER FRONT	x1
24 - DRAWER BOTTOM	x1

HARDWARE REQUIRED



TOOLS REQUIRED

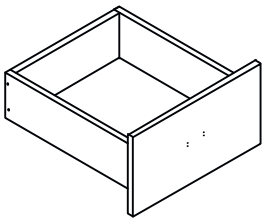


When Fitting Cams
Ensure starting position correct before you insert connecting bolt turn clockwise until secure.

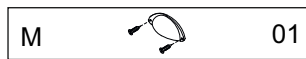
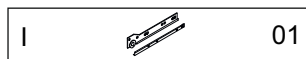
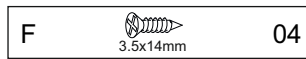
WRONG

STEP 22

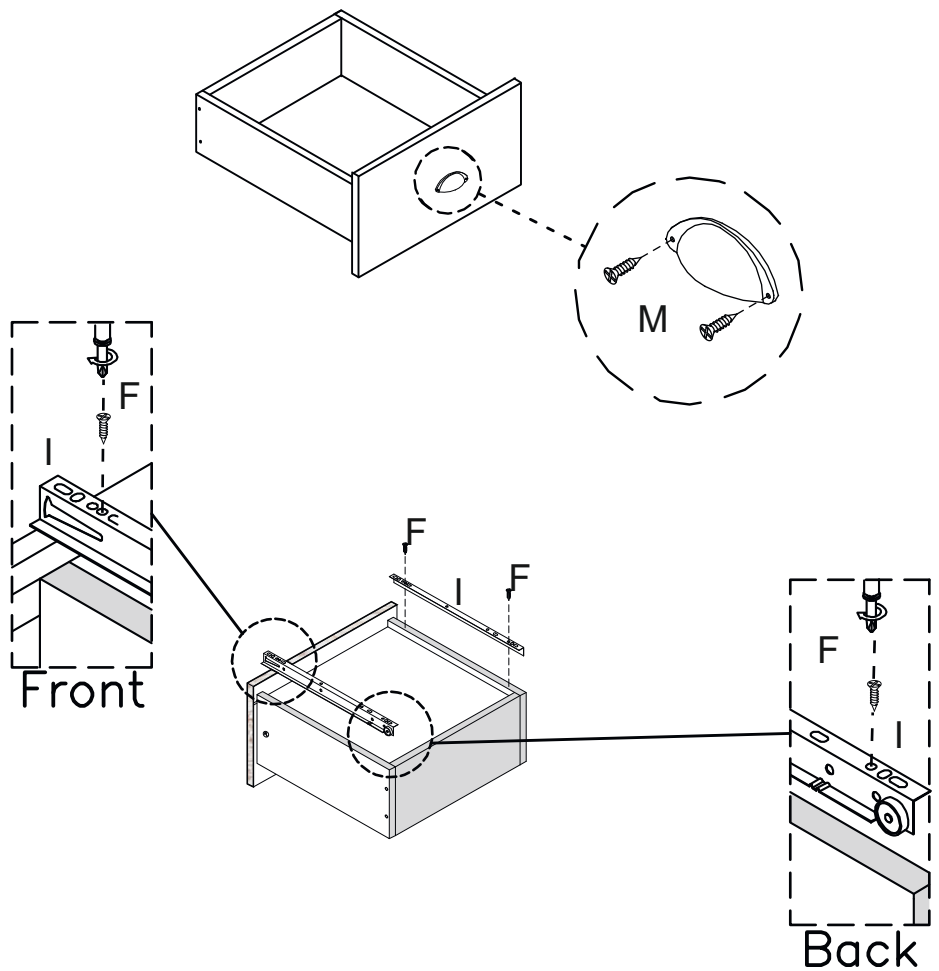
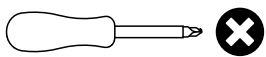
PARTS REQUIRED



HARDWARE REQUIRED



TOOLS REQUIRED

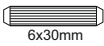
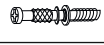



STEP 23

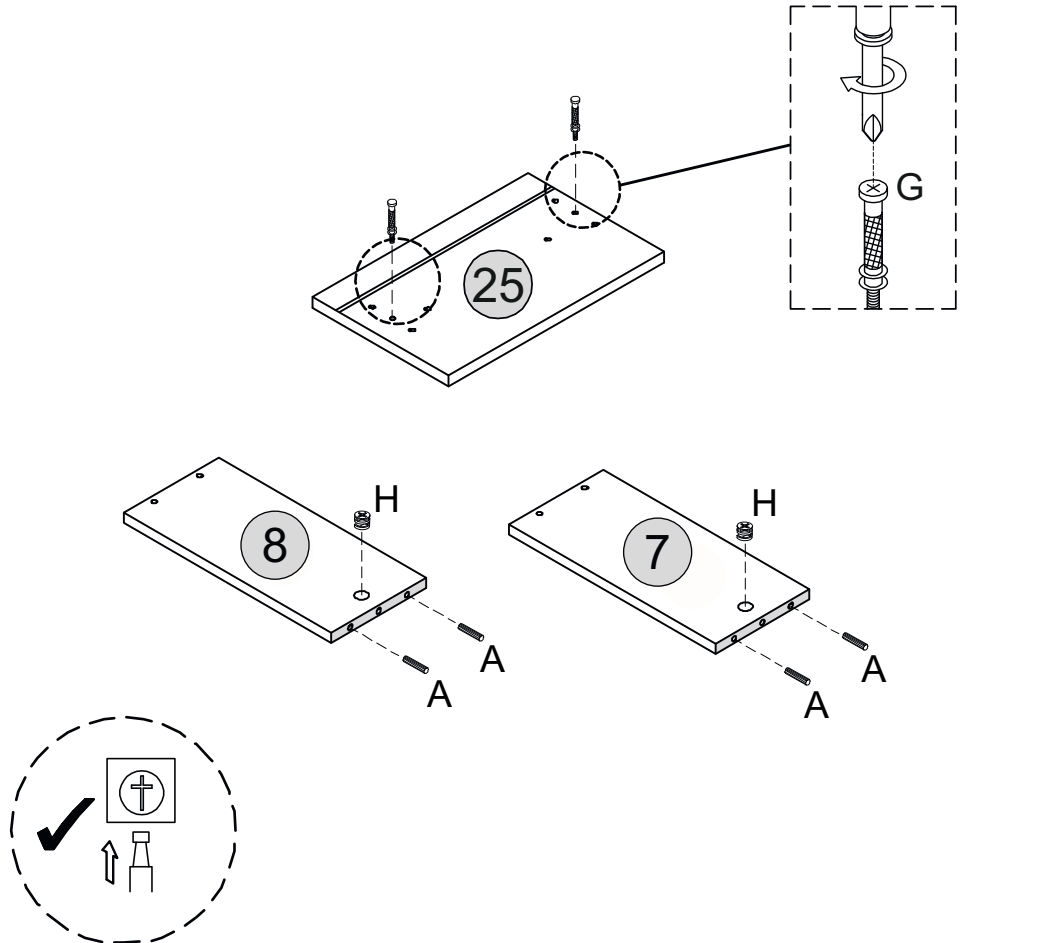
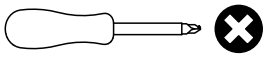
PARTS REQUIRED

- 7 - RIGHT DRAWER SIDE x1
- 8 - LEFT DRAWER SIDE x1
- 25 - RIGHT DRAWER FRONT x1

HARDWARE REQUIRED

- A  04
6x30mm
- G  02
- H  02

TOOLS REQUIRED




STEP 24

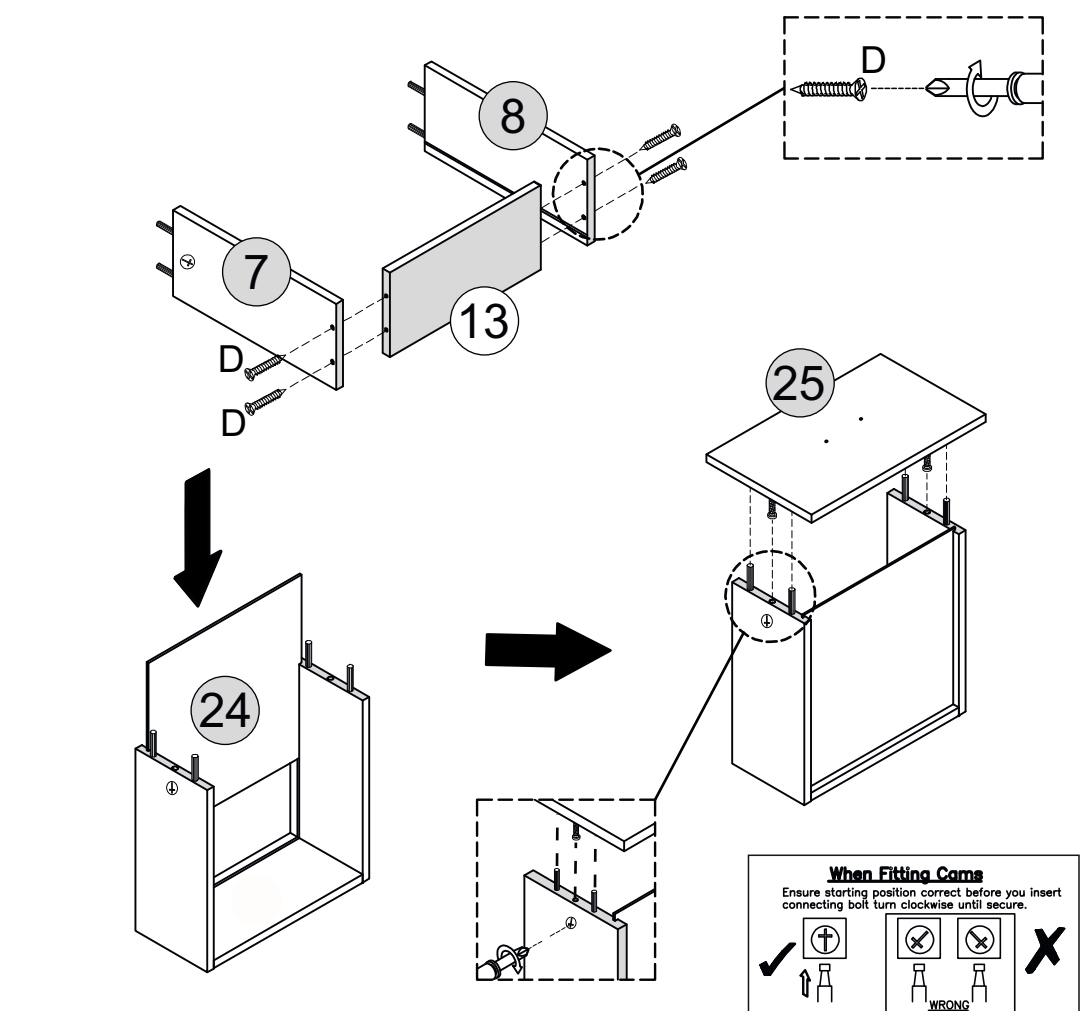
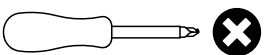
PARTS REQUIRED

- 7 - RIGHT DRAWER SIDE x1
- 8 - LEFT DRAWER SIDE x1
- 13 - DRAWER BACK x1
- 24 - DRAWER BOTTOM x1
- 25 - RIGHT DRAWER FRONT x1

HARDWARE REQUIRED

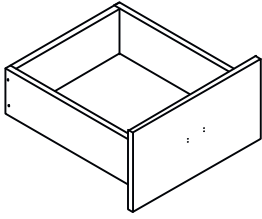
- D  04
4x38mm

TOOLS REQUIRED

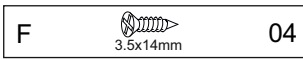


STEP 25

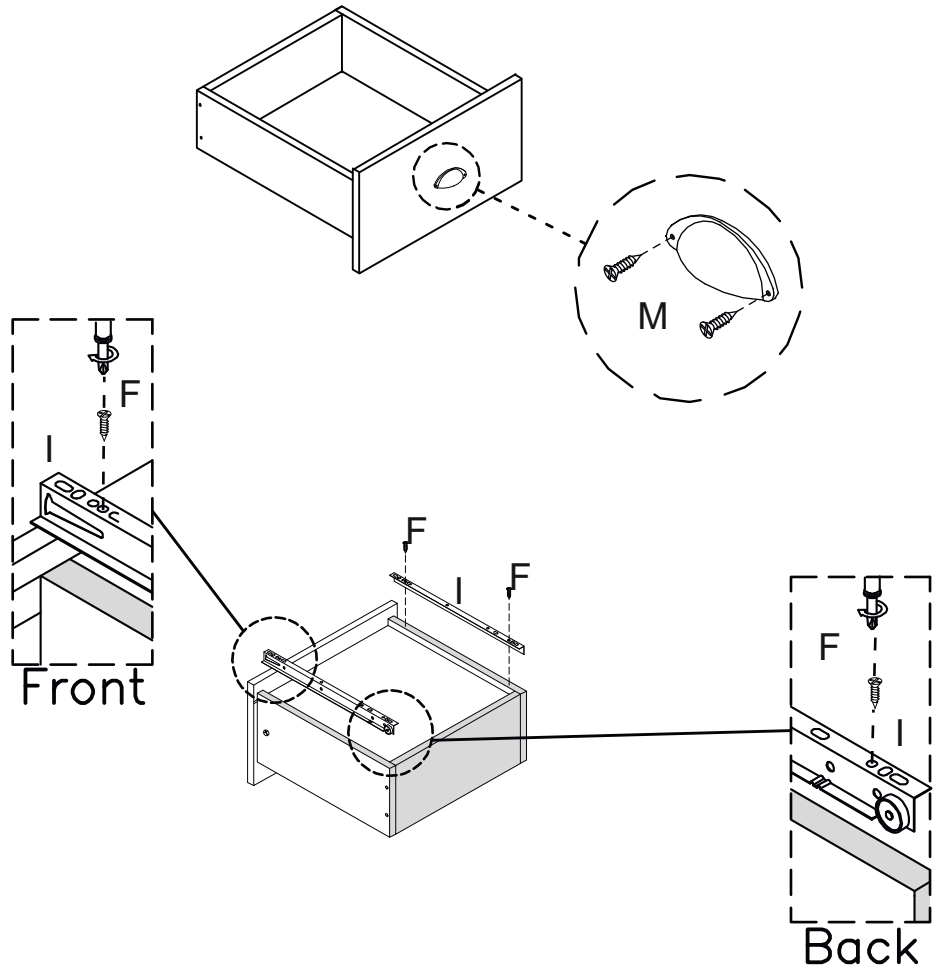
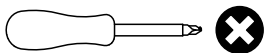
PARTS REQUIRED



HARDWARE REQUIRED



TOOLS REQUIRED

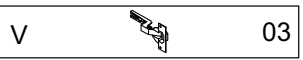
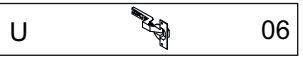
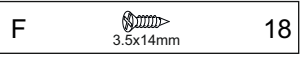


STEP 26

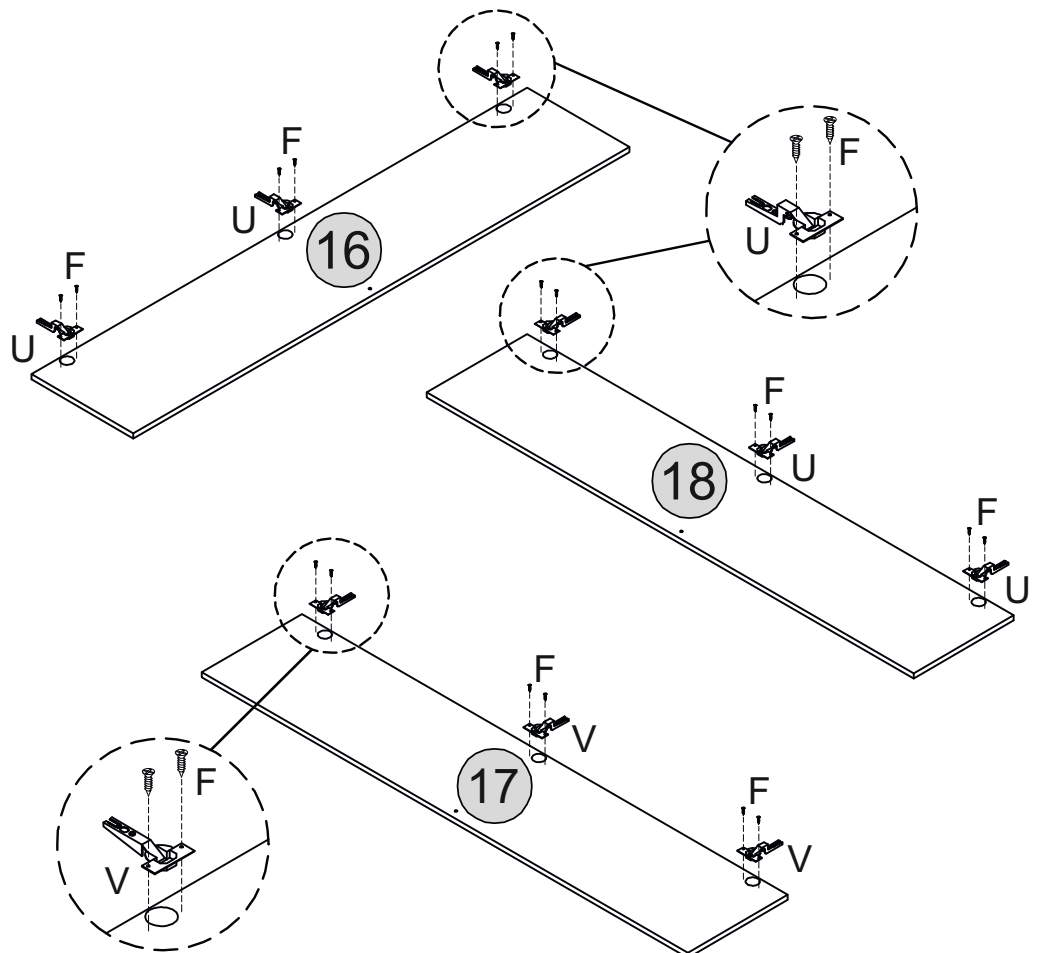
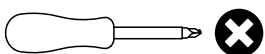
PARTS REQUIRED



HARDWARE REQUIRED



TOOLS REQUIRED

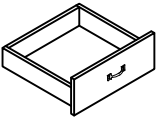
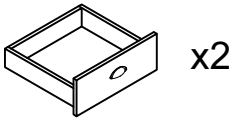
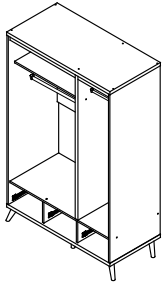


STEP 27

PARTS REQUIRED

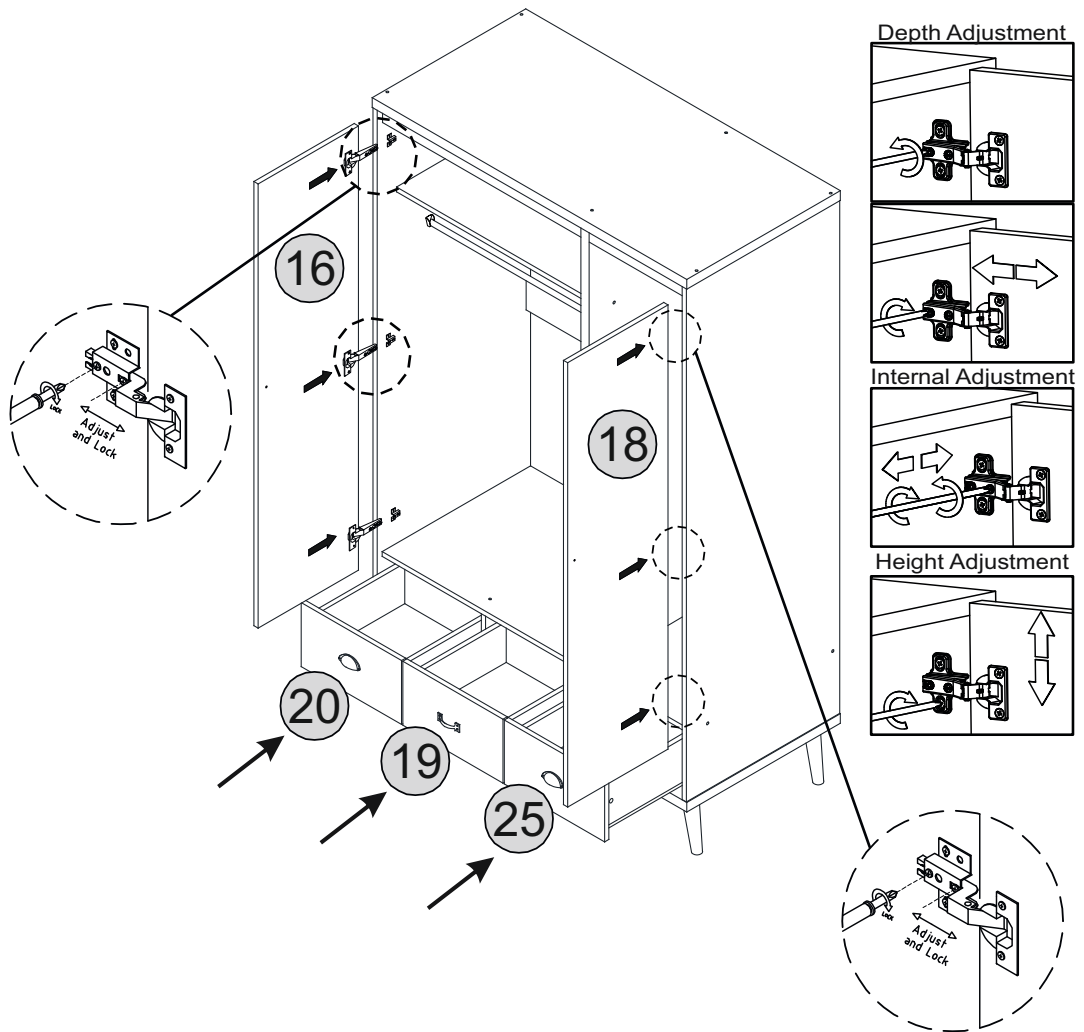
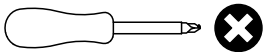
16 - LEFT DOOR x1

18 - RIGHT DOOR x1



HARDWARE REQUIRED

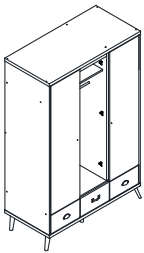
TOOLS REQUIRED



STEP 28

PARTS REQUIRED

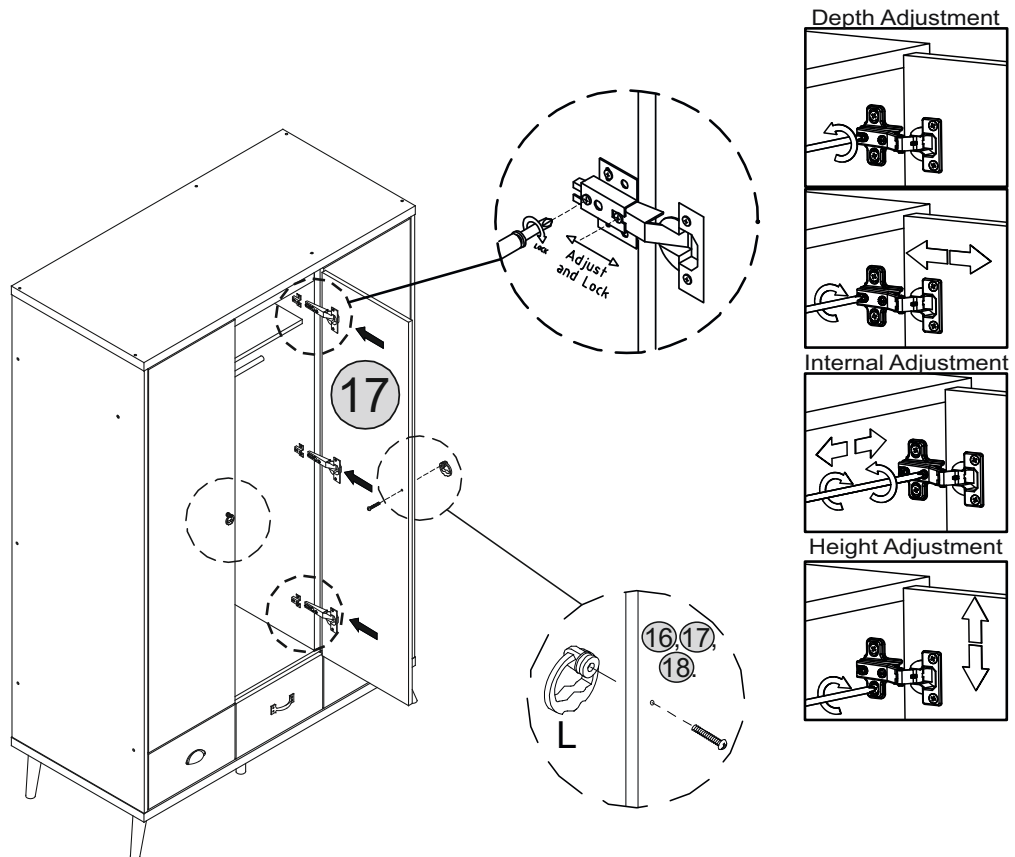
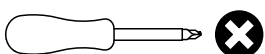
17 - CENTRE DOOR x1



HARDWARE REQUIRED

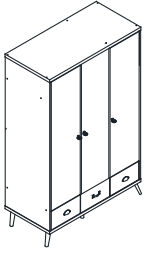
L  03

TOOLS REQUIRED



STEP 29

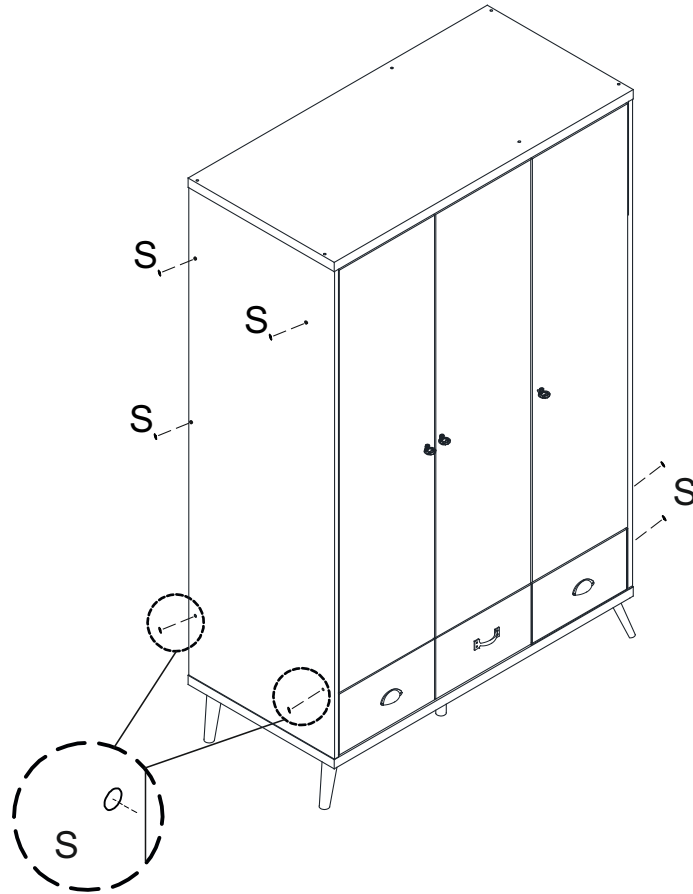
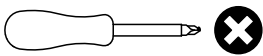
PARTS REQUIRED



HARDWARE REQUIRED

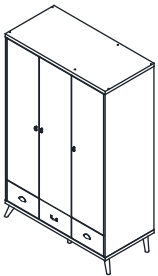


TOOLS REQUIRED



STEP 30

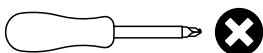
PARTS REQUIRED



HARDWARE REQUIRED



TOOLS REQUIRED



WARNING

Serious or fatal injuries can occur from furniture tipping over. To prevent the furniture from tipping over we recommend that it is permanently fixed to the wall.

Wall fixings are not supplied with this product as different wall materials require different types of fixing devices. Please make sure you use fixings suitable for the walls in your home.

