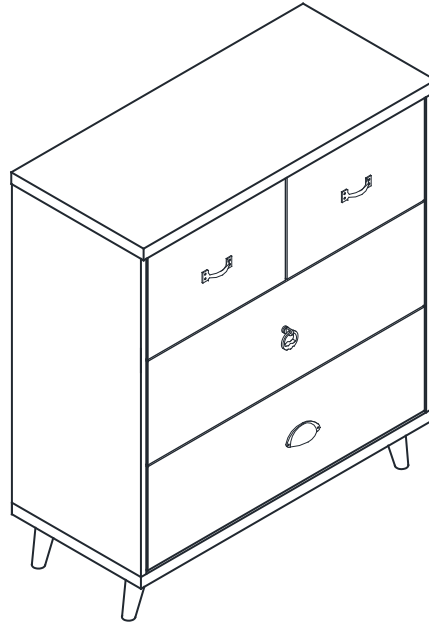


GREY/CHARCOAL CONCRETE EFFECT NORDIC 2+2 DRAWER CHEST ASSEMBLY INSTRUCTIONS



**FOR DOMESTIC USE ONLY
IMPORTANT**

PLEASE READ BEFORE YOU CONTINUE FURTHER

THE PRODUCT YOU HAVE PURCHASED WILL GIVE YOU MANY YEARS OF SERVICE IF YOU FOLLOW THE GUIDELINES FOR ITS SAFE ASSEMBLY AND PERIODIC MAINTENANCE AND CLEANING.

ASSEMBLE ON A SOFT CLEAN SURFACE.

DO NOT USE ANY TOOLS OTHER THAN THOSE SHOWN.

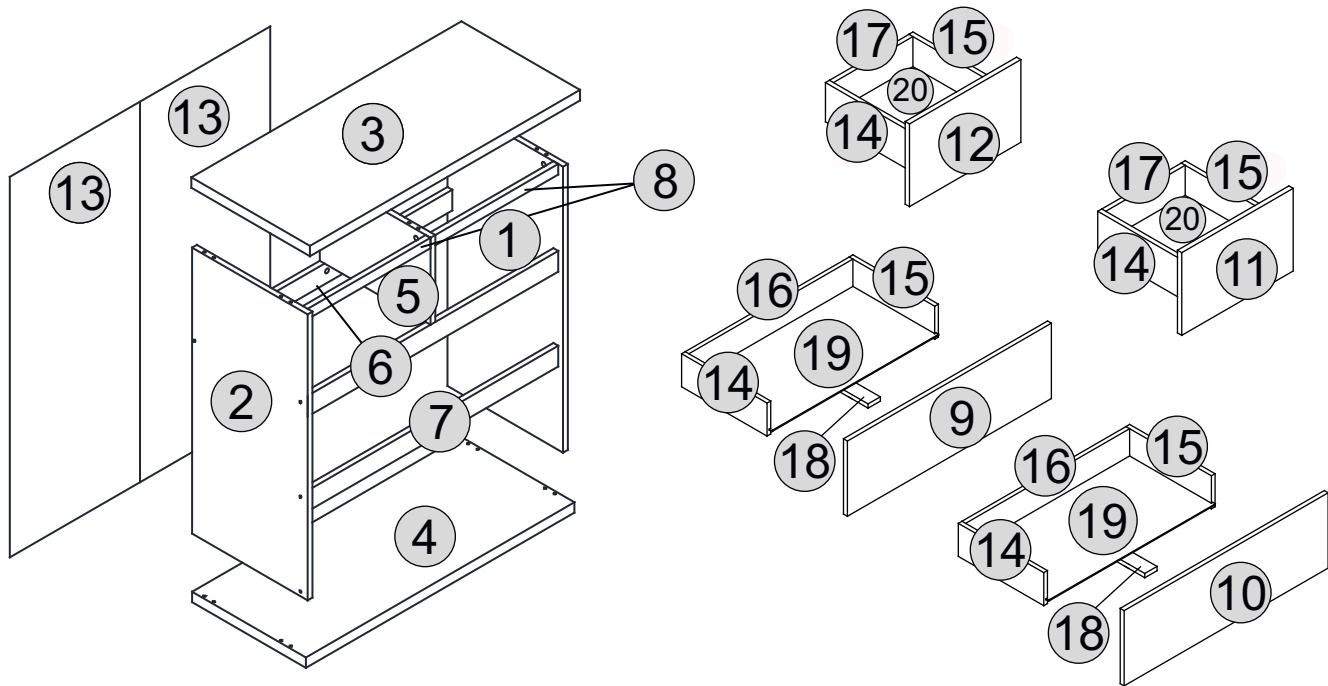
ANY SPANNERS OR ALLEN KEYS REQUIRED ARE INCLUDED WITH THE FITTING KIT.

DO NOT FOR ANY REASON USE A POWER TOOL TO ASSEMBLE THIS PRODUCT. ITS USE WILL INVALIDATE ANY CLAIM YOU MAY HAVE AND COULD MAKE THIS PRODUCT UNSAFE.

DEPENDING ON THE AMOUNT OF USE THIS PRODUCT RECEIVES, IT MAY BE NECESSARY TO TIGHTEN UP THE FIXINGS FROM TIME TO TIME. THIS IS COMPLETELY NORMAL FOR ANY FLAT PACK FURNITURE. DO NOT OVERTIGHTEN FIXINGS.

FOR CLEANING, YOU MAY USE A DAMP CLOTH (NOT WET). DO NOT USE POLISH, DETERGENT OR CHEMICAL CLEANERS.

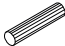
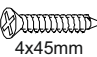






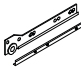

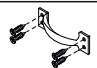




THIS SURFACE OF THIS ITEM IS NOT HEAT RESISTANT. ALWAYS USE A PLACE MAT UNDER HOT OR COLD ITEMS TO PREVENT MARKING.



PART LIST

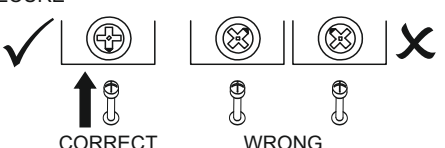
Part Number	Part Code	Part Description	Quantity	Carton
1	S100-102-154-TA1-01	Right Side Panel	1	1/1
2	S100-102-154-TA1-02	Left Side Panel	1	1/1
3	S100-102-154-TA1-03	Top Panel	1	1/1
4	S100-102-154-TA1-04	Bottom Panel	1	1/1
5	S100-102-154-TA1-05	Shelf Panel	1	1/1
6	S100-102-154-TA1-06	Horizontal Support Panel	2	1/1
7	S100-102-154-TA1-07	Horizontal Support Panel	1	1/1
8	S100-102-154-TA1-08	Top Support Panel	2	1/1
9	S100-102-154-TA1-09	Large Drawer Front	1	1/1
10	S100-102-154-TA1-10	Large Drawer Front	1	1/1
11	S100-102-154-TA1-11	Right Small Drawer Front	1	1/1
12	S100-102-154-TA1-12	Left Small Drawer Front	1	1/1
13	S100-102-154-TA1-13	Back Panel	2	1/1
14	S100-102-154-TA1-14	Left Drawer Side	4	1/1
15	S100-102-154-TA1-15	Right Drawer Side	4	1/1
16	S100-102-154-TA1-16	Large Drawer Back	2	1/1
17	S100-102-154-TA1-17	Small Drawer Back	2	1/1
18	S100-102-154-TA1-18	Drawer Support	2	1/1
19	S100-102-154-TA1-19	Large Drawer Base	2	1/1
20	S100-102-154-TA1-20	Small Drawer Base	2	1/1

HARDWARE LIST

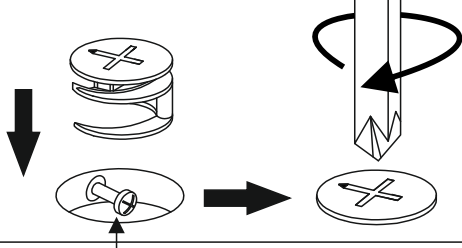
No.	Part Name		Qty	Carton
A	Wooden Dowel (6x30mm)		x34	1
B	45mm Screw (4x45mm)		x10	1
C	14mm Screw (3.5x14mm)		x56	1
D	38mm Screw (4x38mm)		x18	1
E	Cam Bolt (8032T)		x18	1
F	Cam Nut (1512)		x18	1
G	Wood Leg + Plastic Foot		x4	2
H	6/8" Nail		x35	1
I	14" Drawer Slide		x4	1
J	PVC L-Bracket		x2	1
K	Handle+Screw (3x16mm=8pcs)		x2	1
L	Screw Cover (CB-White)		x6	1
M	Handle+Screw ^{T-4538} (4x20mm=2pcs)		x1	1
N	Handle+Screw ^{Y-8238} (3x16mm=2pcs)		x1	1
O	Wall Fixings (4x20mm=1pc)		x1	1

TIPS FOR FITTINGS CAM-LOCKS

WHEN FITTING CAM NUT. ENSURE STARTING POSITION IS CORRECT BEFORE YOU INSERT CONNECTING CAM BOLT TURN CLOCKWISE UNTIL SECURE



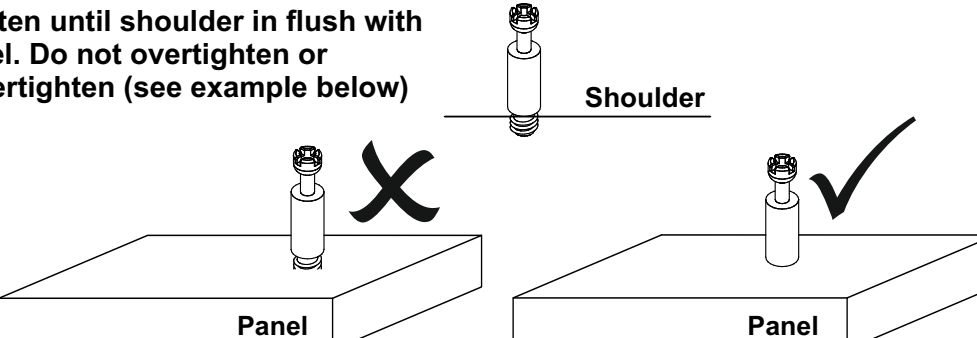
CORRECT **WRONG**



Cam bolt head needs to be in centre

CAMBOLT

Tighten until shoulder in flush with panel. Do not overtighten or undertighten (see example below)



Panel **Panel**

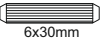
Shoulder

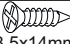
STEP 1

PARTS REQUIRED

2 - LEFT SIDE PANEL x1

HARDWARE REQUIRED

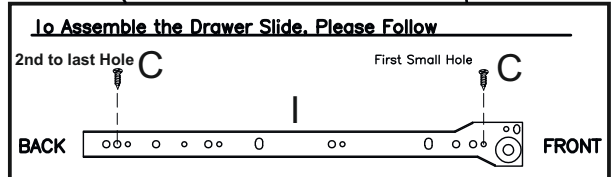
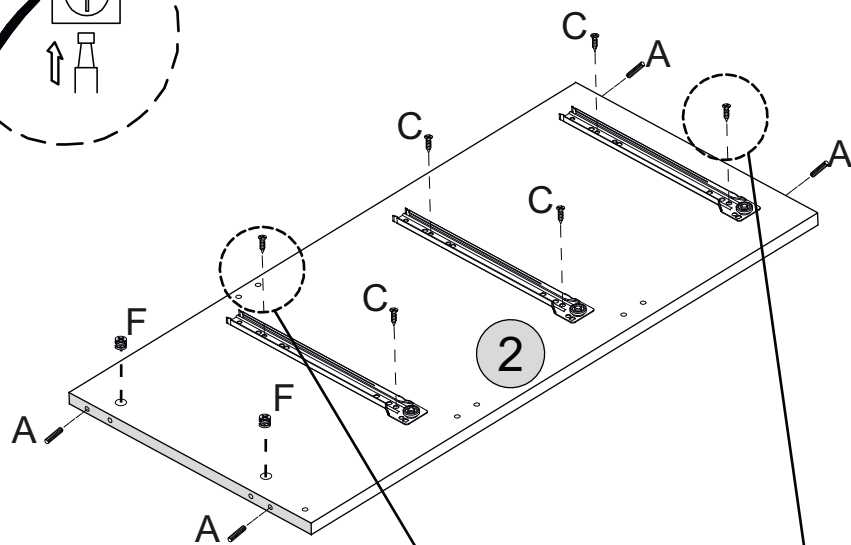
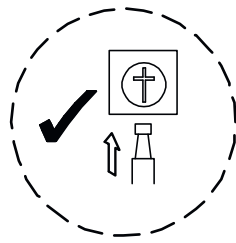
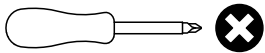
A  04
6x30mm

C  06
3.5x14mm

F  02

I  03

TOOLS REQUIRED

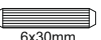


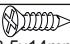
STEP 2

PARTS REQUIRED

1 - RIGHT SIDE PANEL x1

HARDWARE REQUIRED

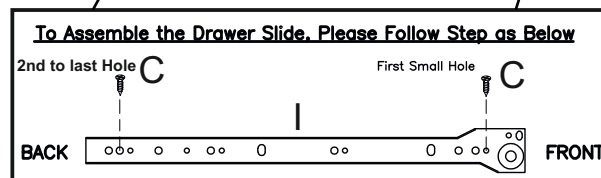
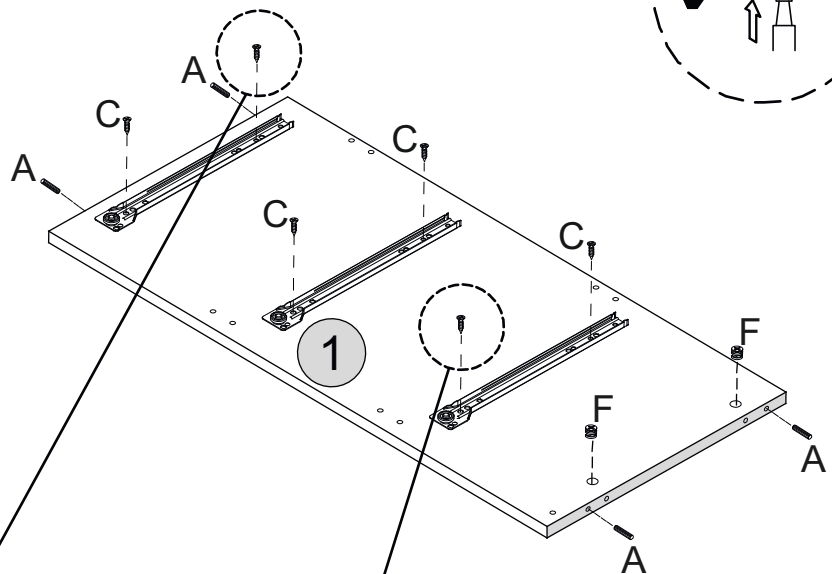
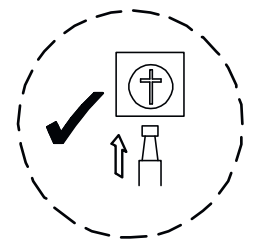
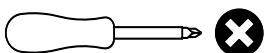
A  04
6x30mm

C  06
3.5x14mm

F  02

I  03

TOOLS REQUIRED

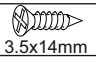


STEP 3

PARTS REQUIRED

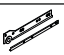
5 - SHELF PANEL x1

HARDWARE REQUIRED

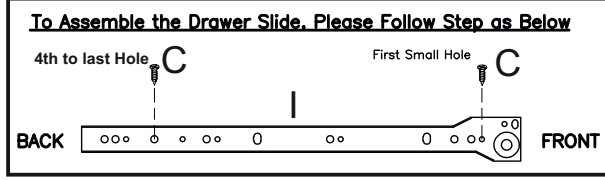
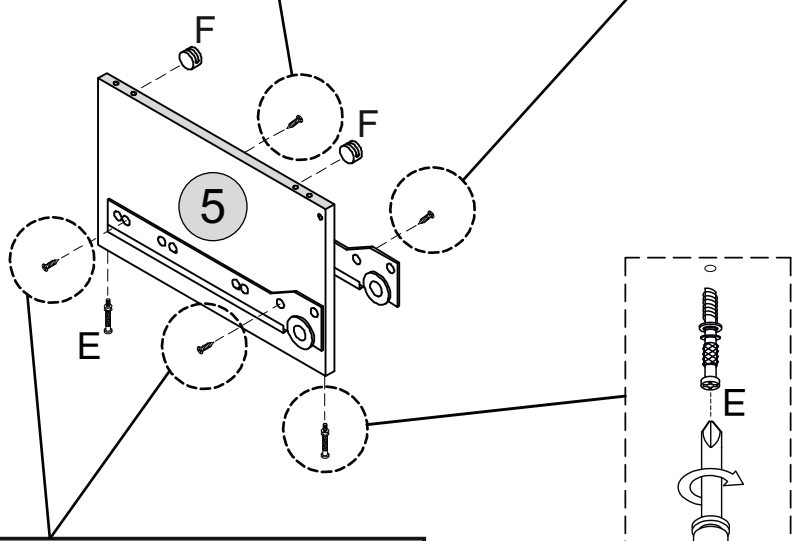
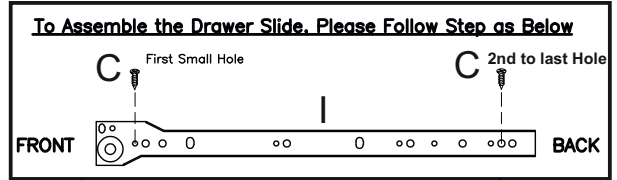
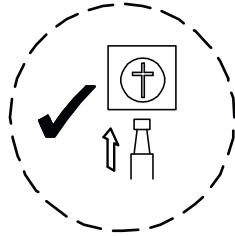
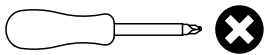
C  04
3.5x14mm

E  02

F  02

I  02

TOOLS REQUIRED



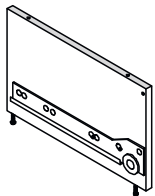
STEP 4

PARTS REQUIRED

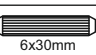
6 - HORIZONTAL SUPPORT PANEL x2

7 - HORIZONTAL SUPPORT PANEL x1

8 - TOP SUPPORT PANEL x2

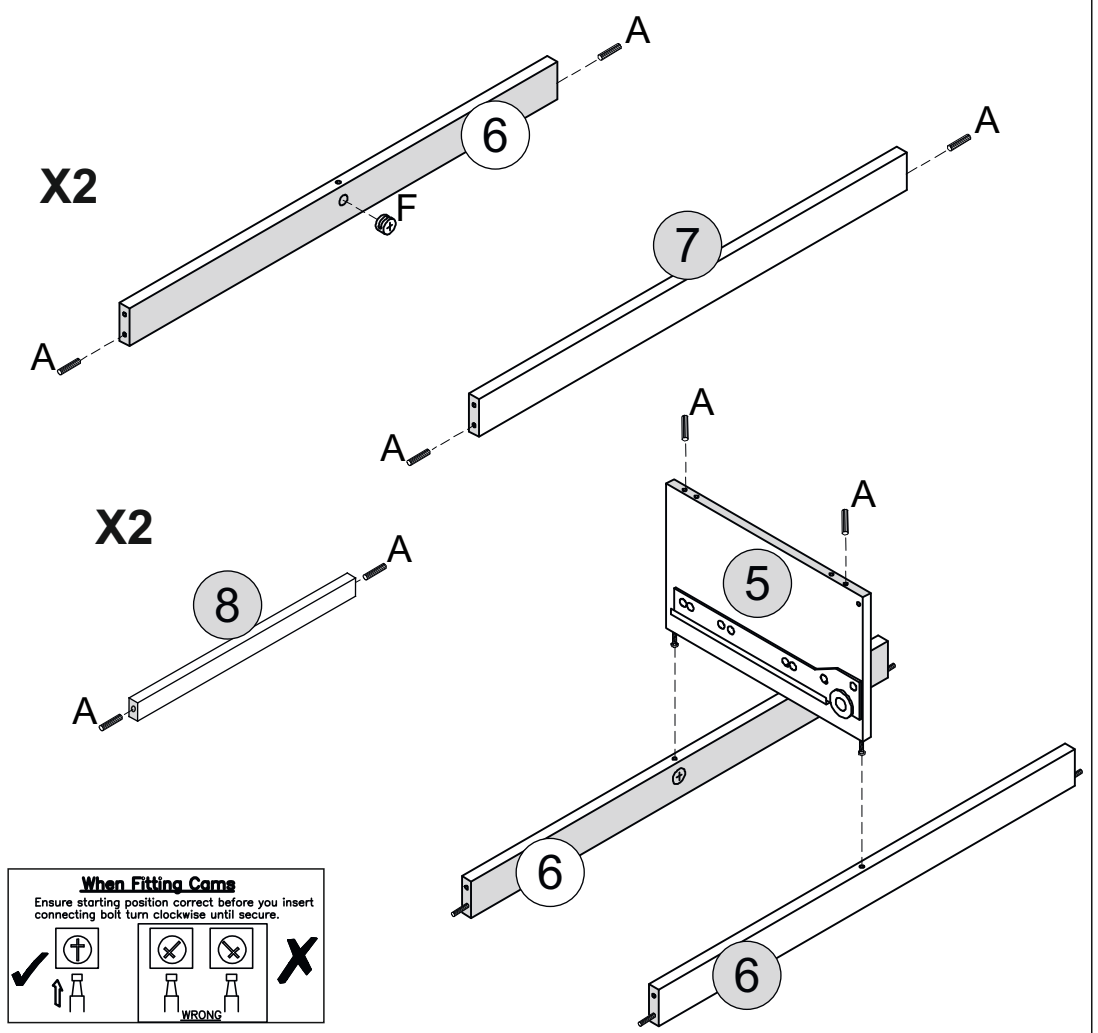
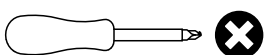


HARDWARE REQUIRED

A  12
6x30mm

F  02

TOOLS REQUIRED




STEP 5

PARTS REQUIRED

3 - TOP PANEL x1

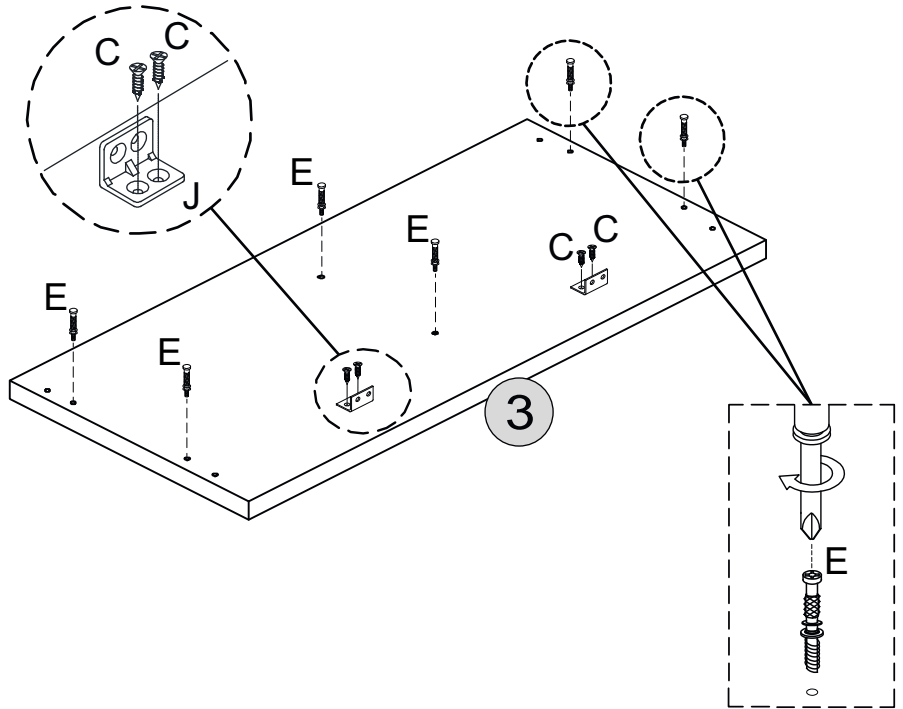
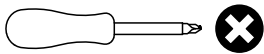
HARDWARE REQUIRED

C  04
3.5x14mm

E  06

J  02

TOOLS REQUIRED

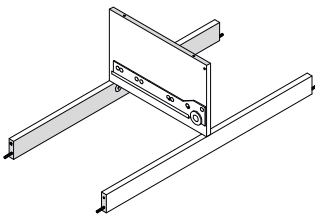


STEP 6

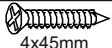
PARTS REQUIRED

2 - LEFT SIDE PANEL x1

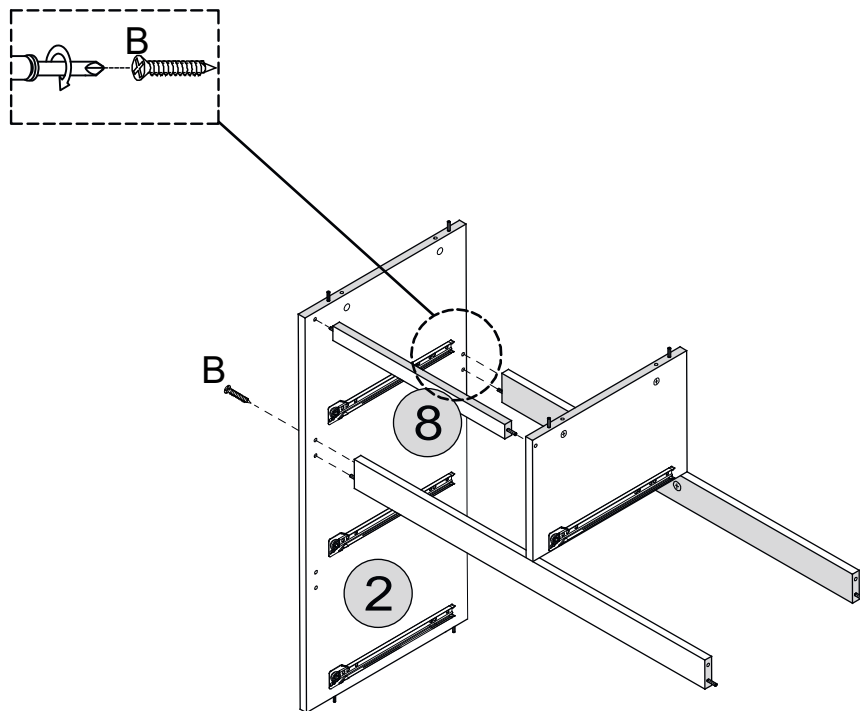
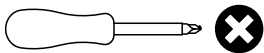
8 - TOP SUPPORT PANEL x1



HARDWARE REQUIRED

B  02
4x45mm

TOOLS REQUIRED



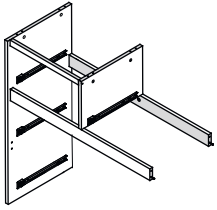
STEP 7

PARTS REQUIRED

1 - RIGHT SIDE PANEL x1

7 - HORIZONTAL SUPPORT PANEL x1

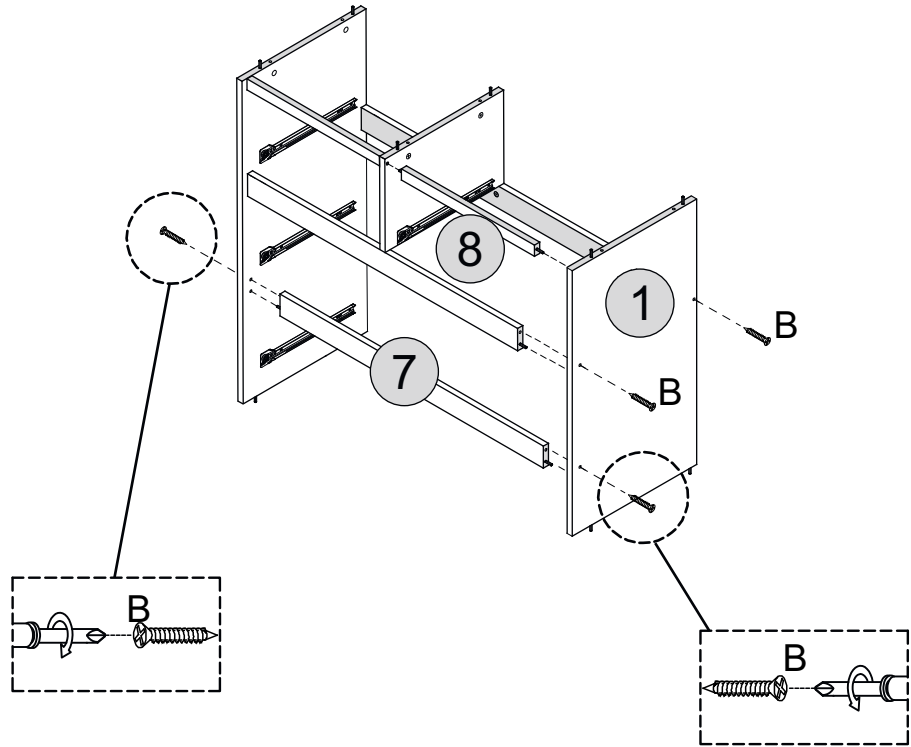
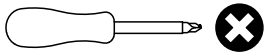
8 - TOP SUPPORT PANEL x1



HARDWARE REQUIRED

B  04

TOOLS REQUIRED

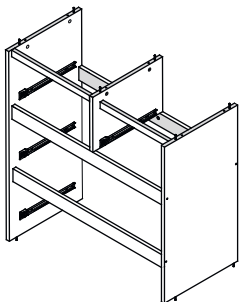


STEP 8

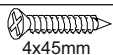
PARTS REQUIRED

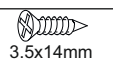
3 - TOP PANEL x1

4 - BOTTOM PANEL x1

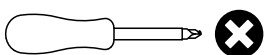


HARDWARE REQUIRED

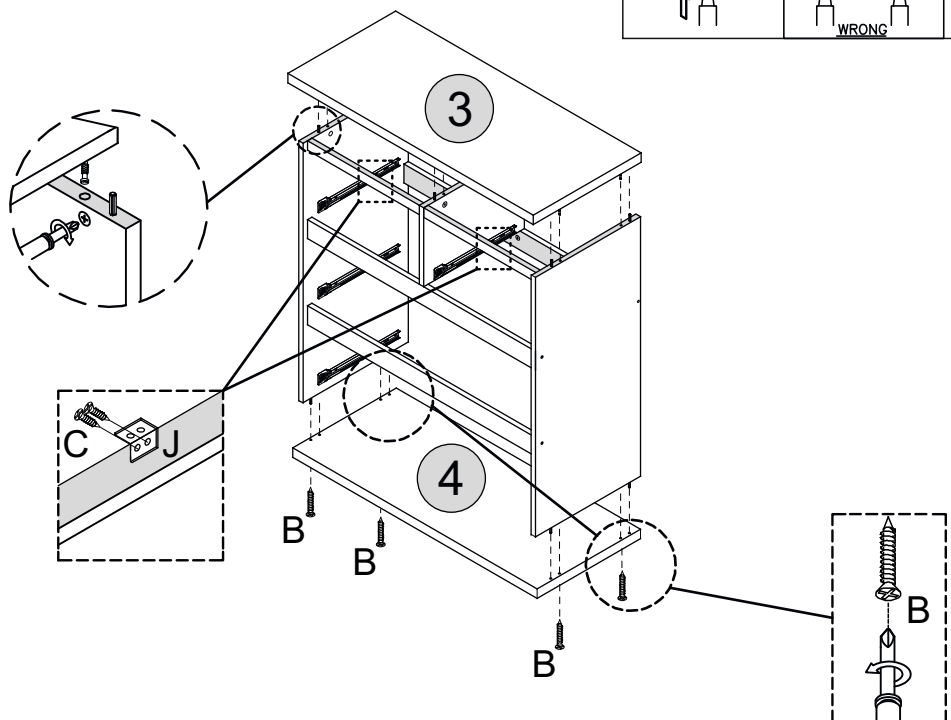
B  04

C  04

TOOLS REQUIRED



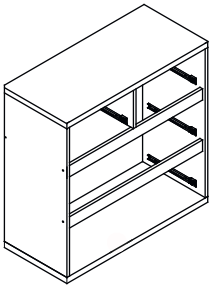
When Fitting Cams
Ensure starting position correct before you insert connecting bolt turn clockwise until secure.



STEP 9

PARTS REQUIRED


13 - BACK PANEL x2



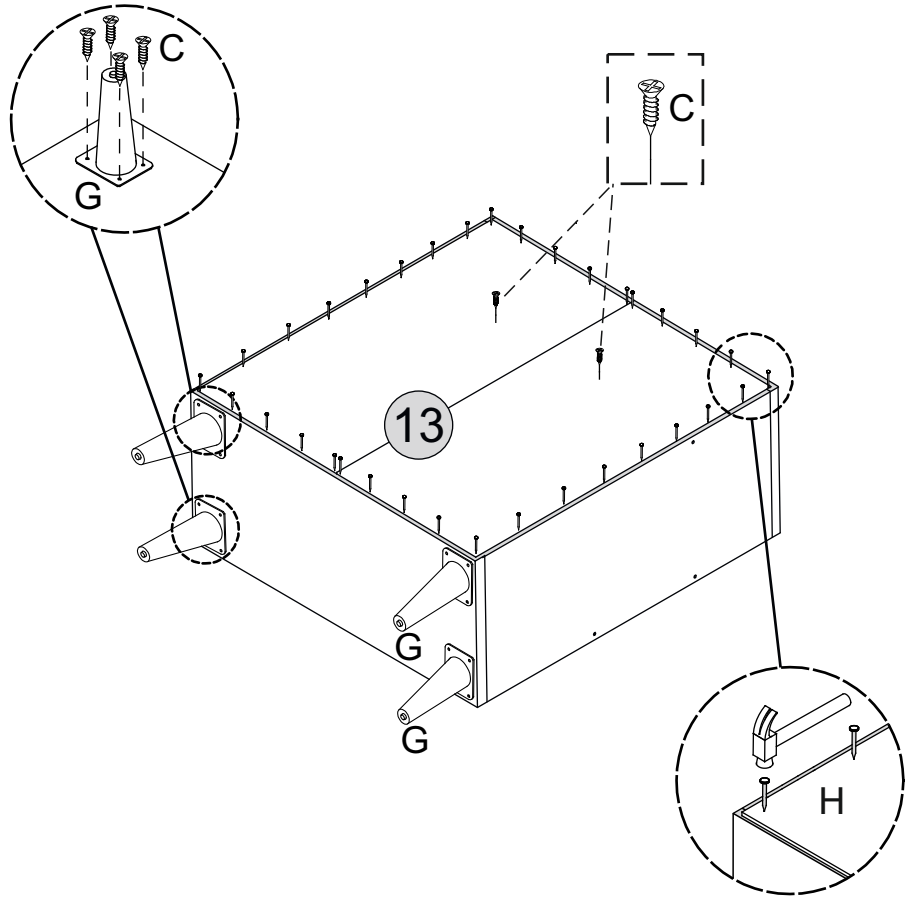
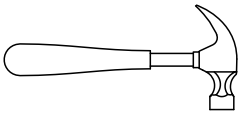
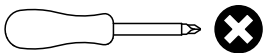
HARDWARE REQUIRED

C  18
3.5x14mm

G  04

H  35

TOOLS REQUIRED



STEP 10

PARTS REQUIRED

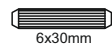
10 - DRAWER FRONT LARGE x1

14 - LEFT DRAWER SIDE x1

15 - RIGHT DRAWER SIDE x1

18 - DRAWER SUPPORT x1

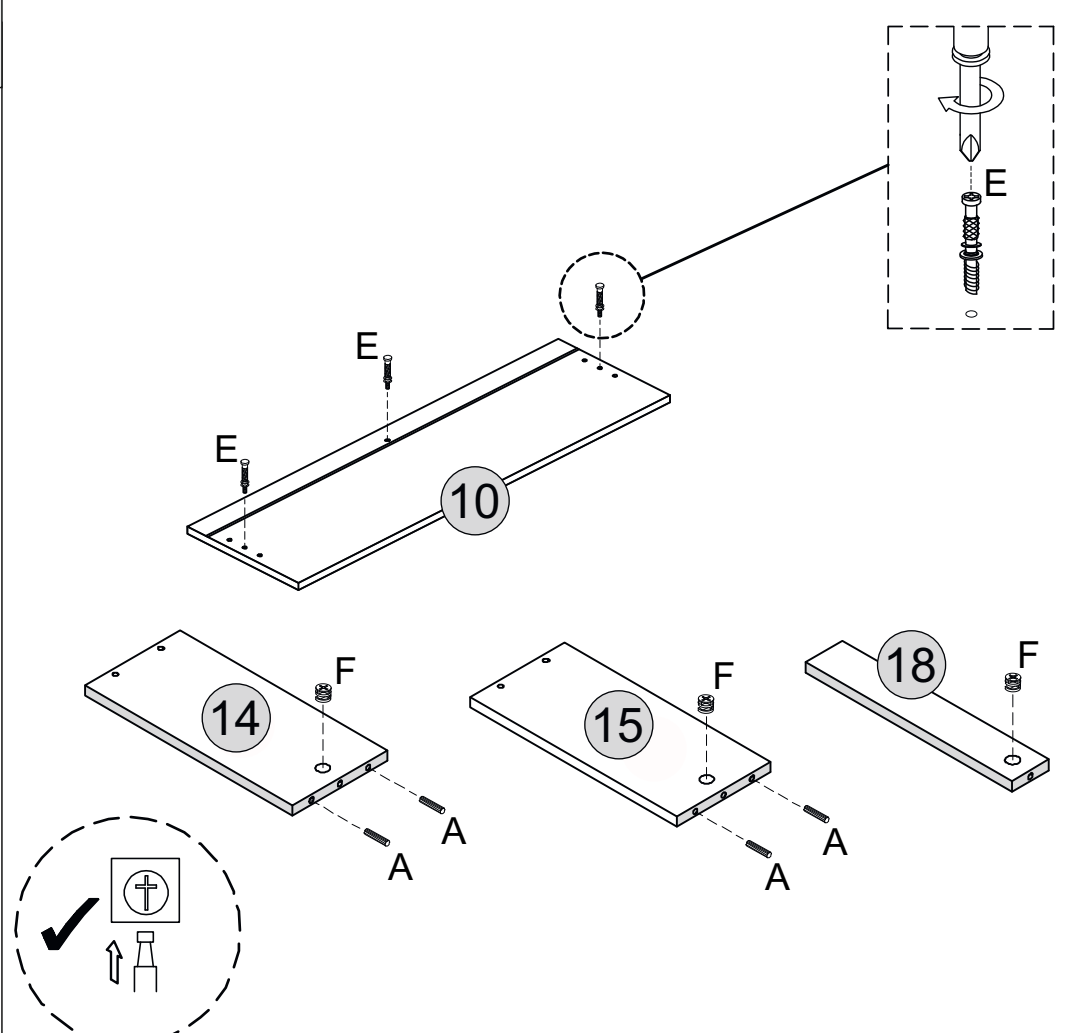
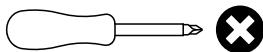
HARDWARE REQUIRED

A  04
6x30mm

E  03

F  03

TOOLS REQUIRED



STEP 11

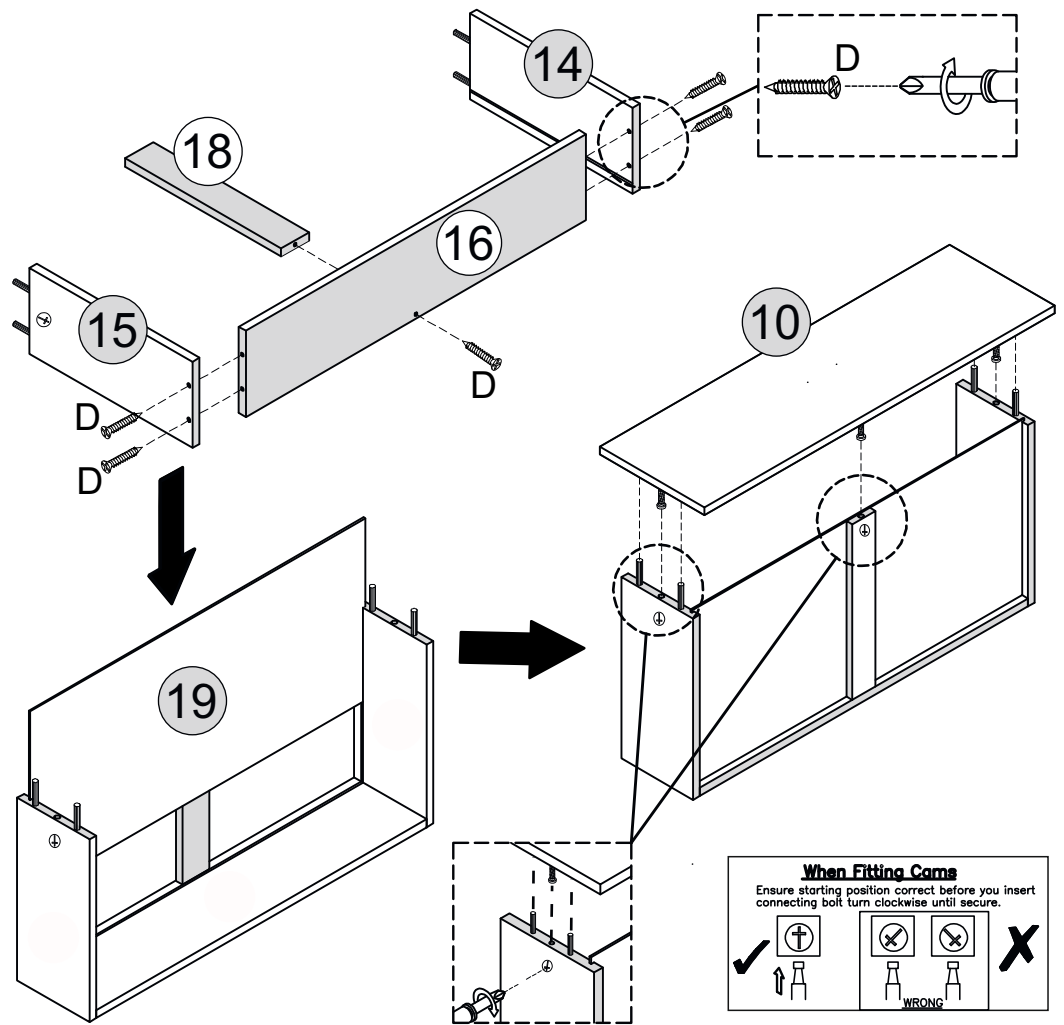
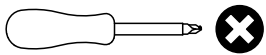
PARTS REQUIRED

- 10 - DRAWER FRONT LARGE x1
- 14 - LEFT DRAWER SIDE x1
- 15 - RIGHT DRAWER SIDE x1
- 16 - LARGE DRAWER BACK x1
- 18 - DRAWER SUPPORT x1
- 19 - LARGE DRAWER BASE x1

HARDWARE REQUIRED

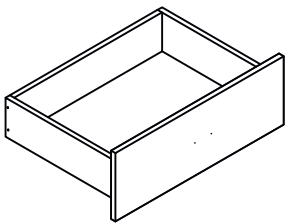
- D  05

TOOLS REQUIRED

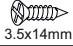




STEP 12

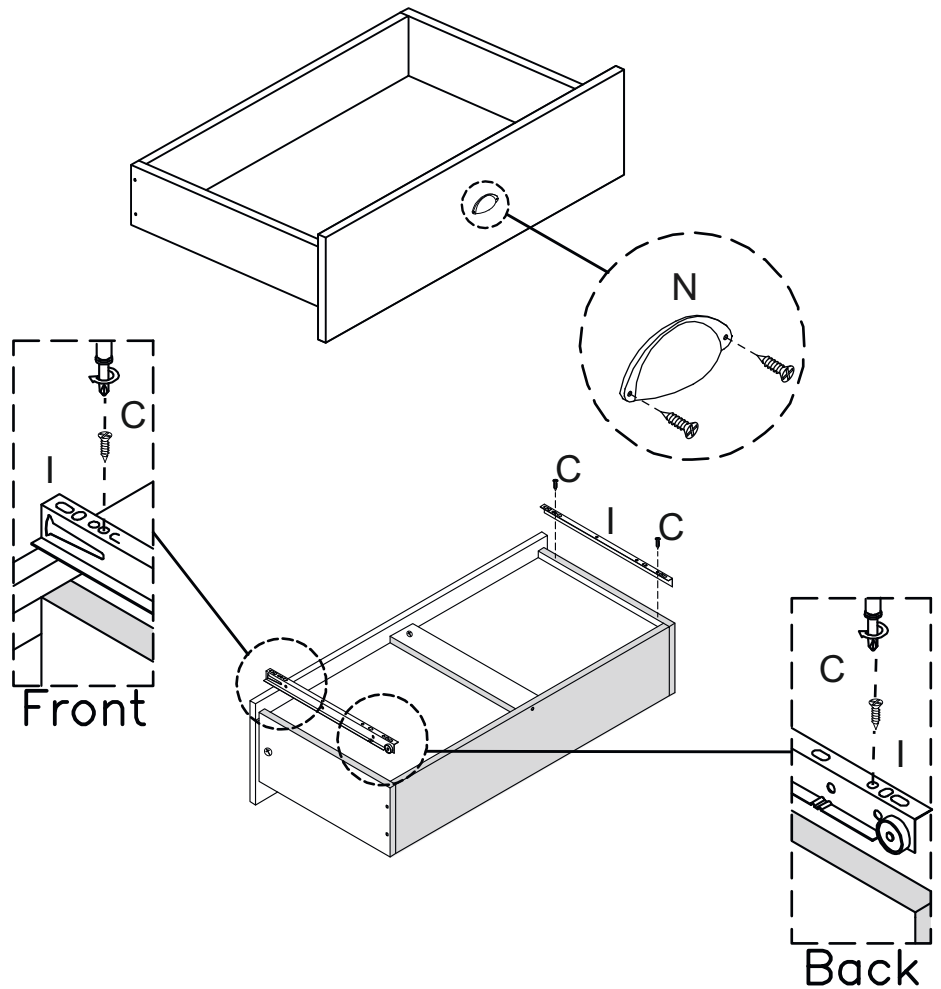
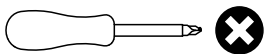
PARTS REQUIRED



HARDWARE REQUIRED

- C  04
- I  01
- N  01

TOOLS REQUIRED

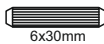




STEP 13

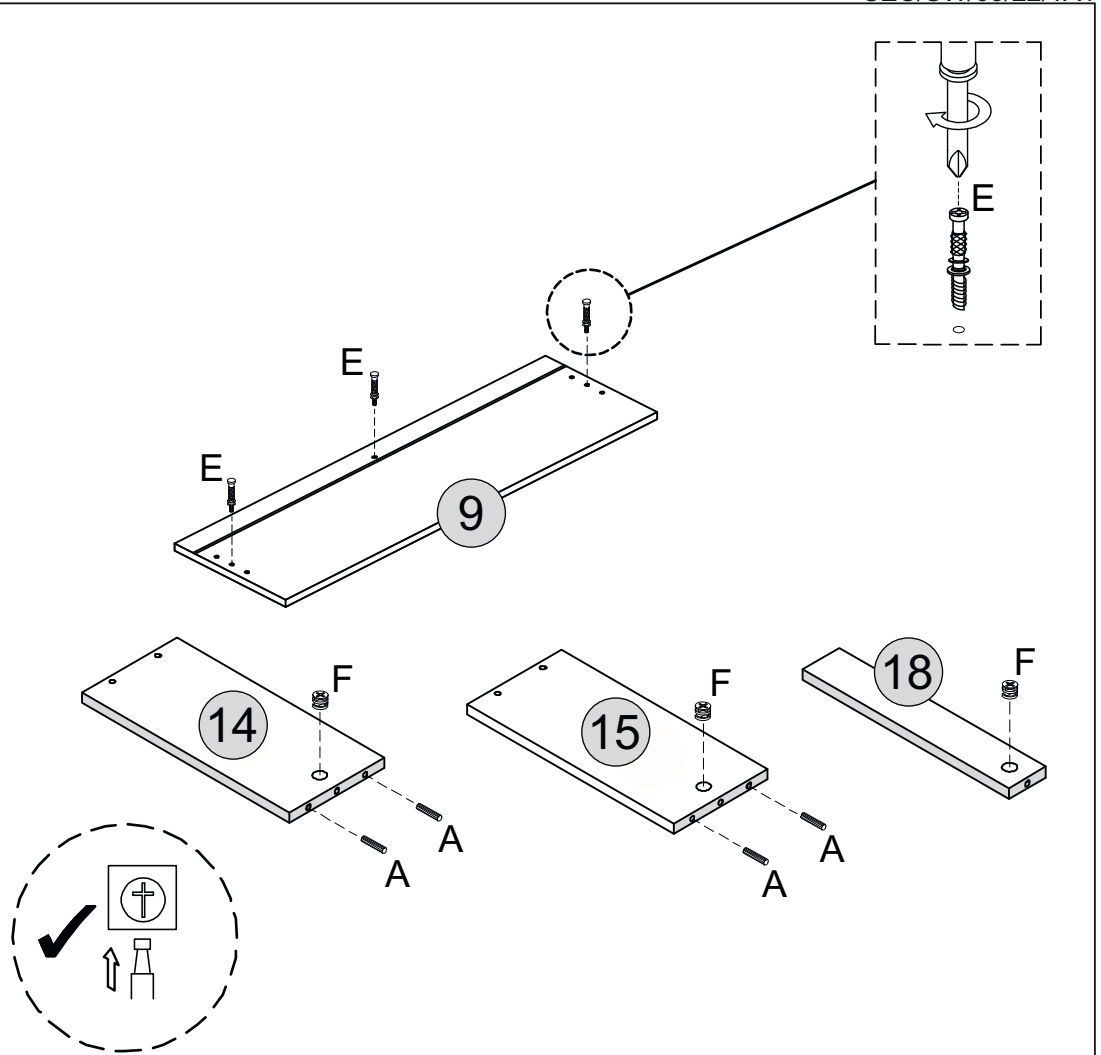
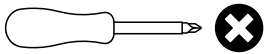
PARTS REQUIRED

9 - DRAWER FRONT LARGE	x1
14 -LEFT DRAWER SIDE	x1
15 -RIGHT DRAWER SIDE	x1
18 -DRAWER SUPPORT	x1

HARDWARE REQUIRED

A	 04
E	 03
F	 03

TOOLS REQUIRED

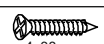


STEP 14

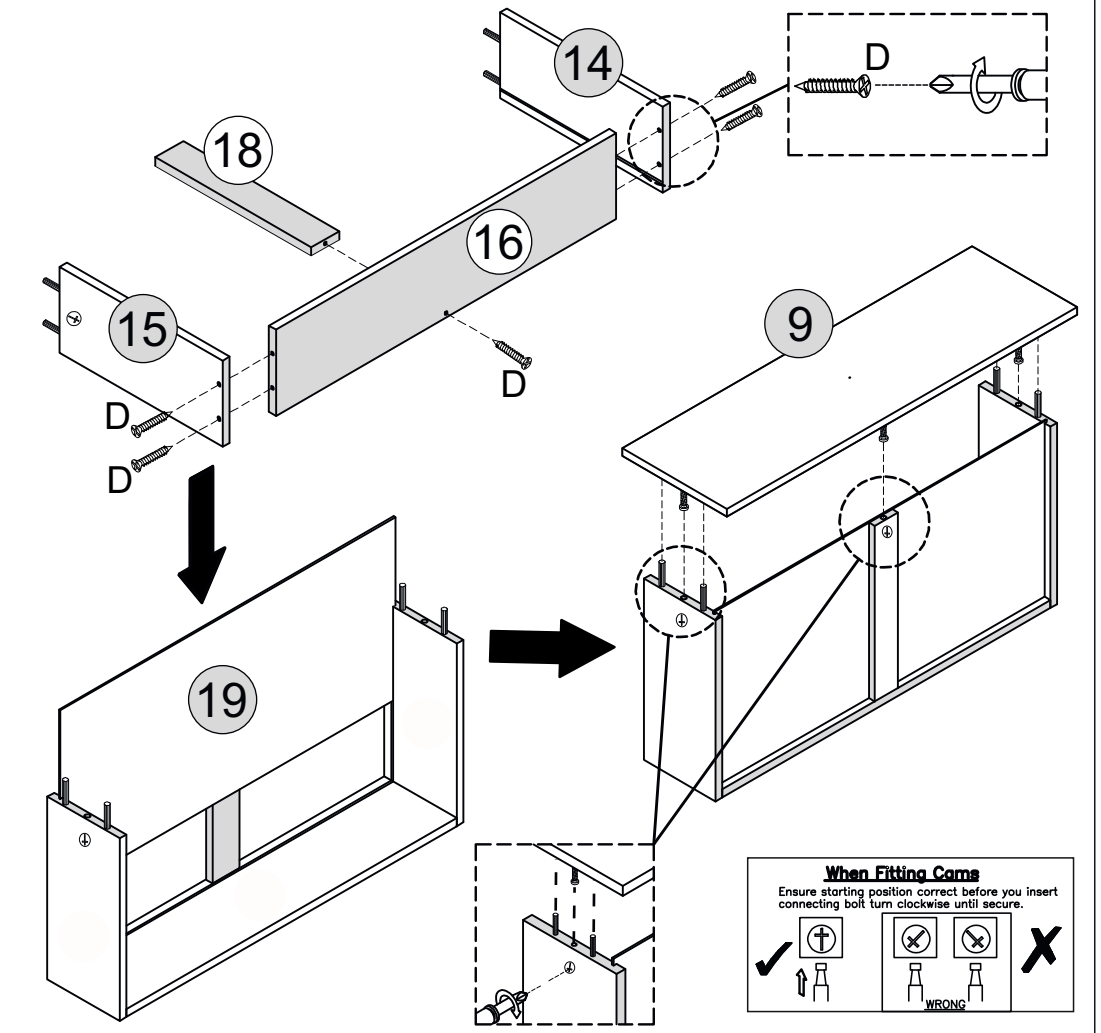
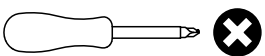
PARTS REQUIRED

9 - DRAWER FRONT LARGE	x1
14 -LEFT DRAWER SIDE	x1
15 -RIGHT DRAWER SIDE	x1
16 -DRAWER BACK LARGE	x1
18 -DRAWER SUPPORT	x1
19 -LARGE DRAWER BASE	x1

HARDWARE REQUIRED

D	 05
---	--

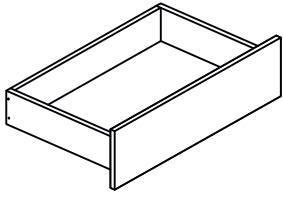
TOOLS REQUIRED



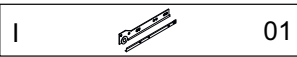
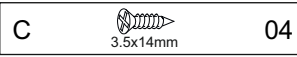
When Fitting Cams
 Ensure starting position correct before you insert connecting bolt turn clockwise until secure.

STEP 15

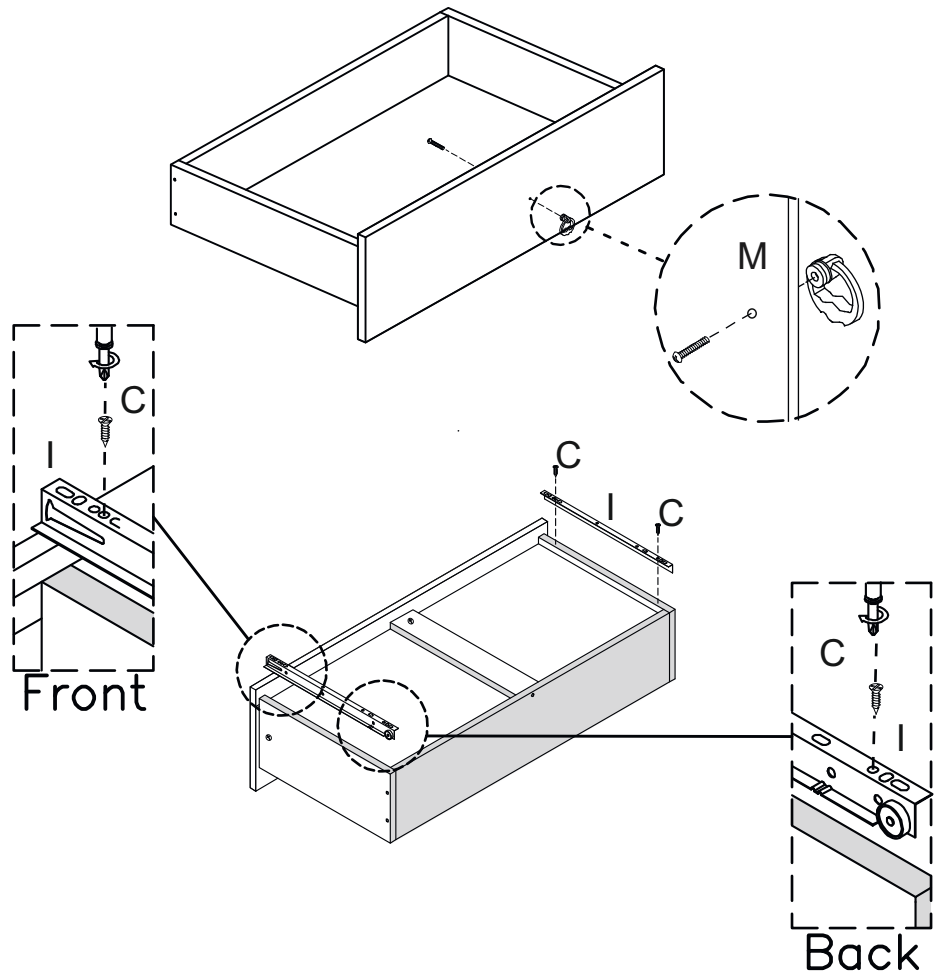
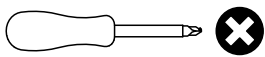
PARTS REQUIRED



HARDWARE REQUIRED



TOOLS REQUIRED



STEP 16

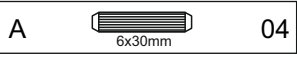
PARTS REQUIRED

12 -LEFT SMALL DRAWER FRONT x1

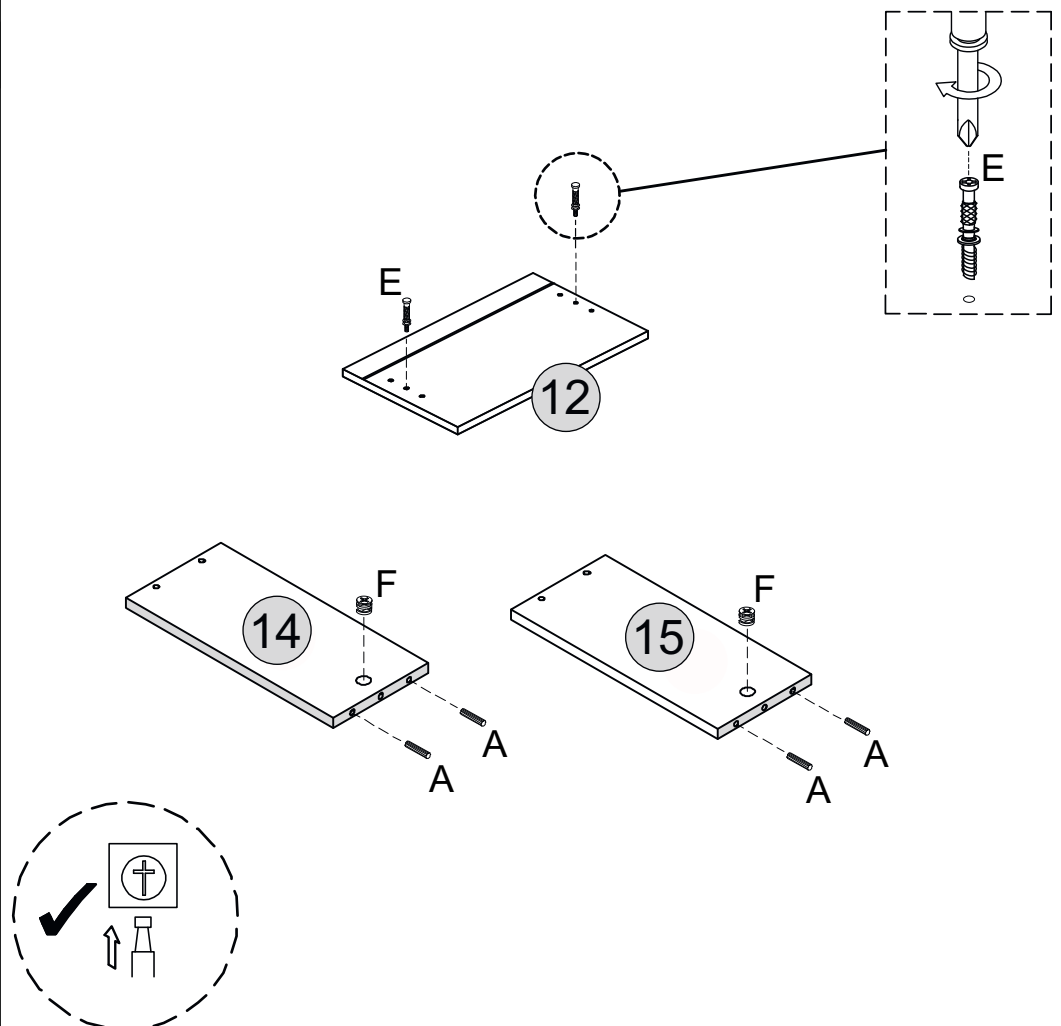
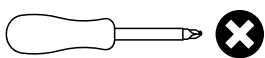
14 -LEFT DRAWER SIDE x1

15 -RIGHT DRAWER SIDE x1

HARDWARE REQUIRED



TOOLS REQUIRED



STEP 17

PARTS REQUIRED

12 - LEFT SMALL DRAWER FRONT x1


14 - LEFT DRAWER SIDE x1

15 - RIGHT DRAWER SIDE x1

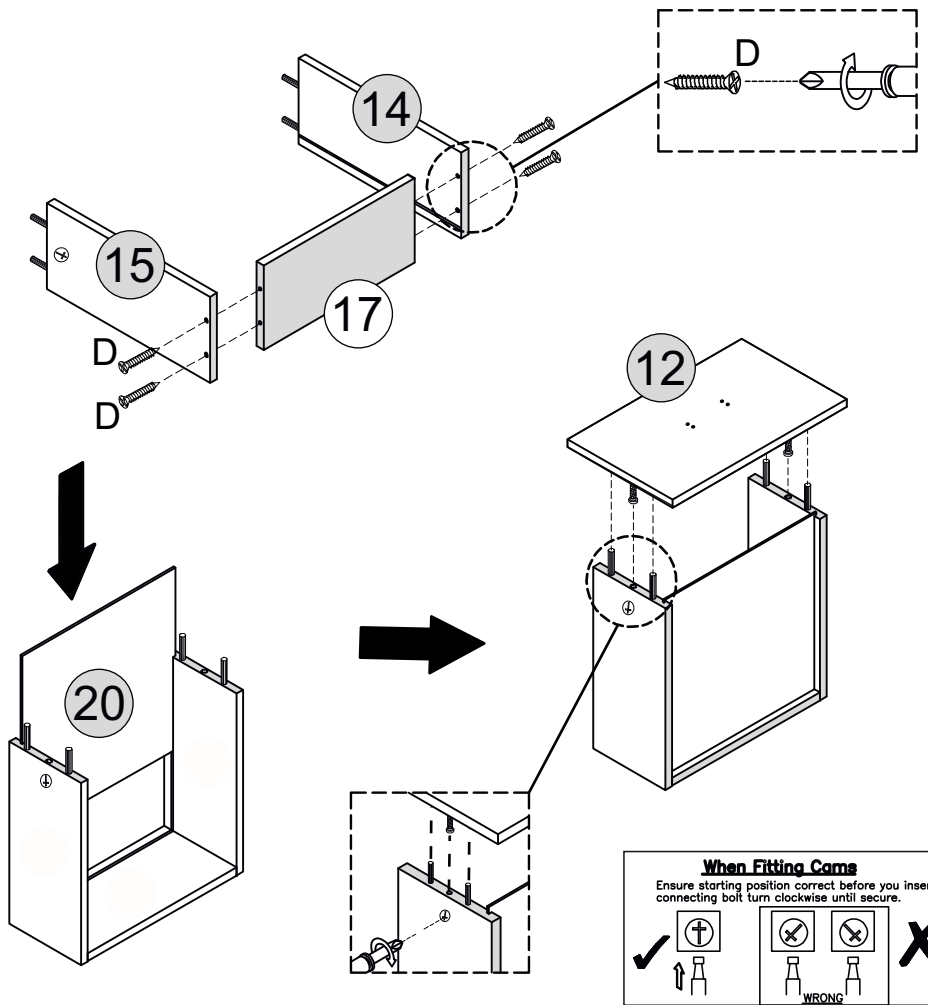
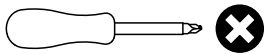
17 - SMALL DRAWER BACK x1

20 - SMALL DRAWER BASE x1

HARDWARE REQUIRED

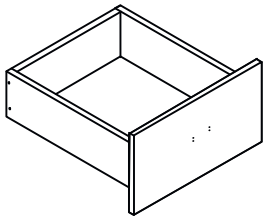
D  04
4x38mm

TOOLS REQUIRED

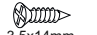



STEP 18


PARTS REQUIRED



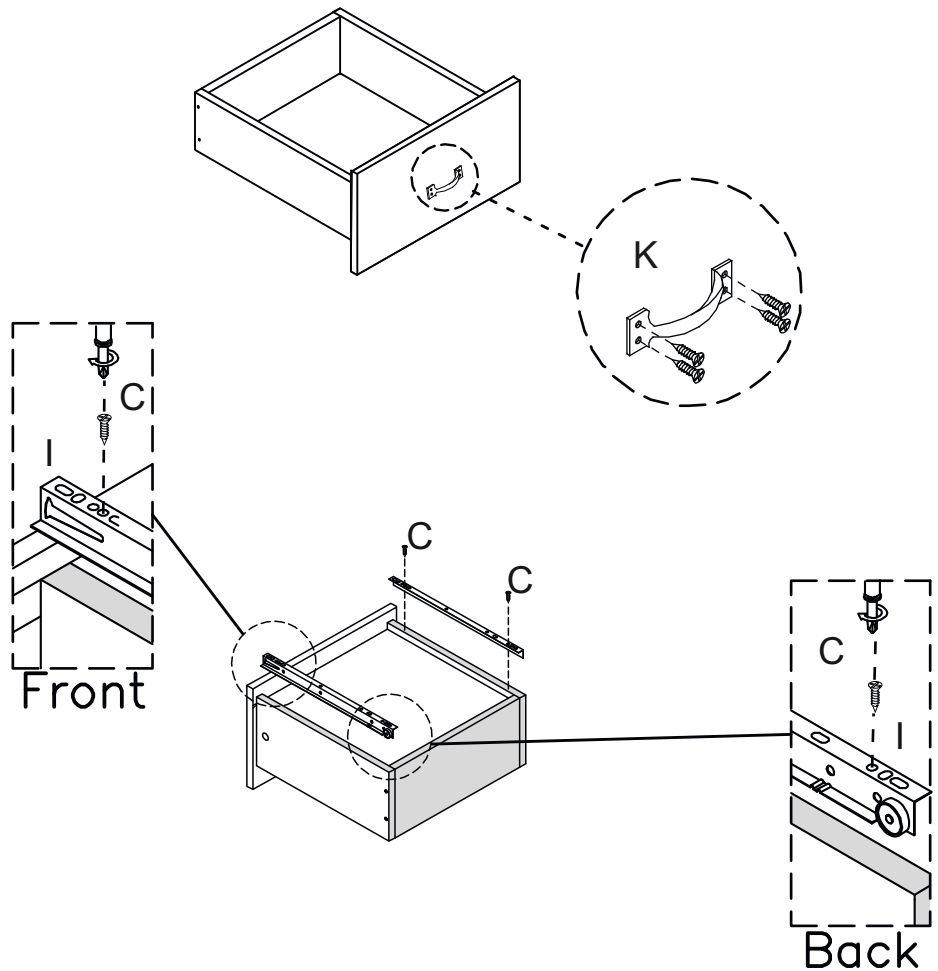
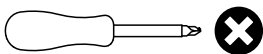
HARDWARE REQUIRED

C  04
3.5x14mm

I  01

K  01

TOOLS REQUIRED



STEP 19


PARTS REQUIRED

11 -RIGHT SMALL DRAWER FRONT x1

14 - LEFT DRAWER SIDE x1

15 -RIGHT DRAWER SIDE x1

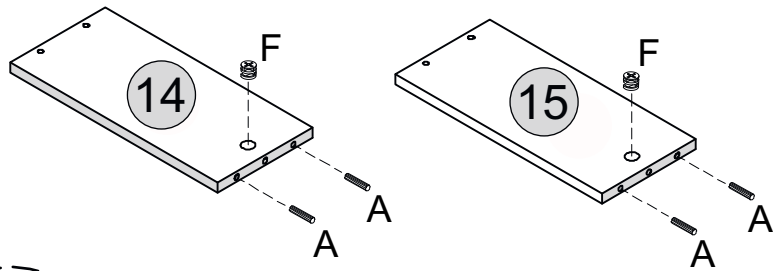
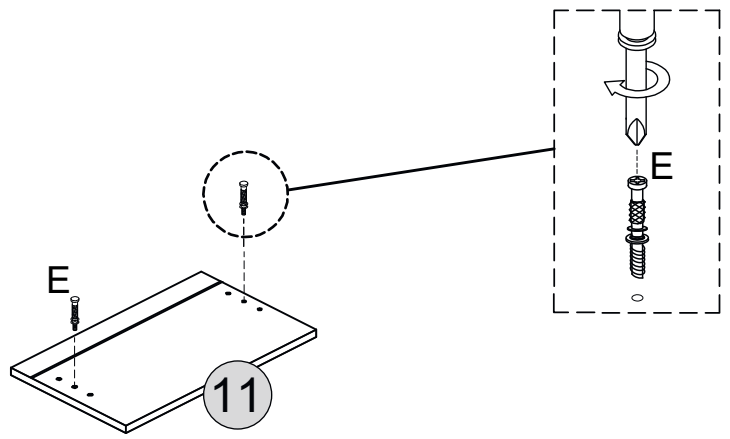
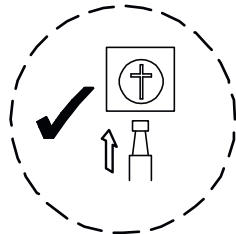
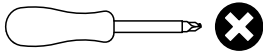
HARDWARE REQUIRED

A  04
6x30mm

E  02

F  02

TOOLS REQUIRED



STEP 20

PARTS REQUIRED

11 -RIGHT SMALL DRAWER FRONT x1

14 - LEFT DRAWER SIDE x1

15 -RIGHT DRAWER SIDE x1

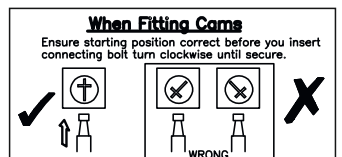
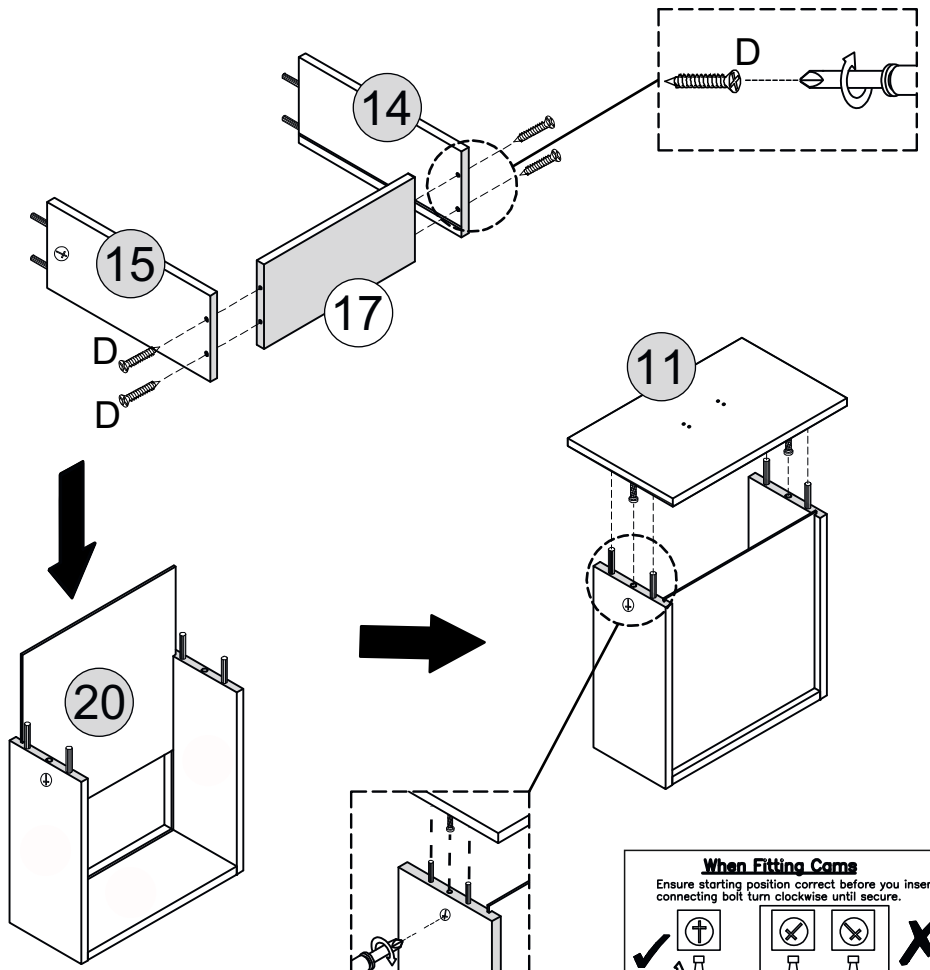
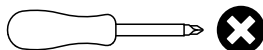
17 -SMALL DRAWER BACK x1

20 -SMALL DRAWER BASE x1

HARDWARE REQUIRED

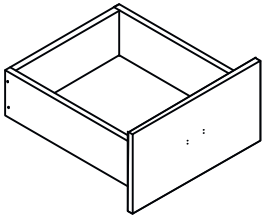
D  04
4x38mm

TOOLS REQUIRED

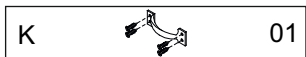
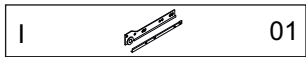
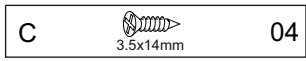


STEP 21

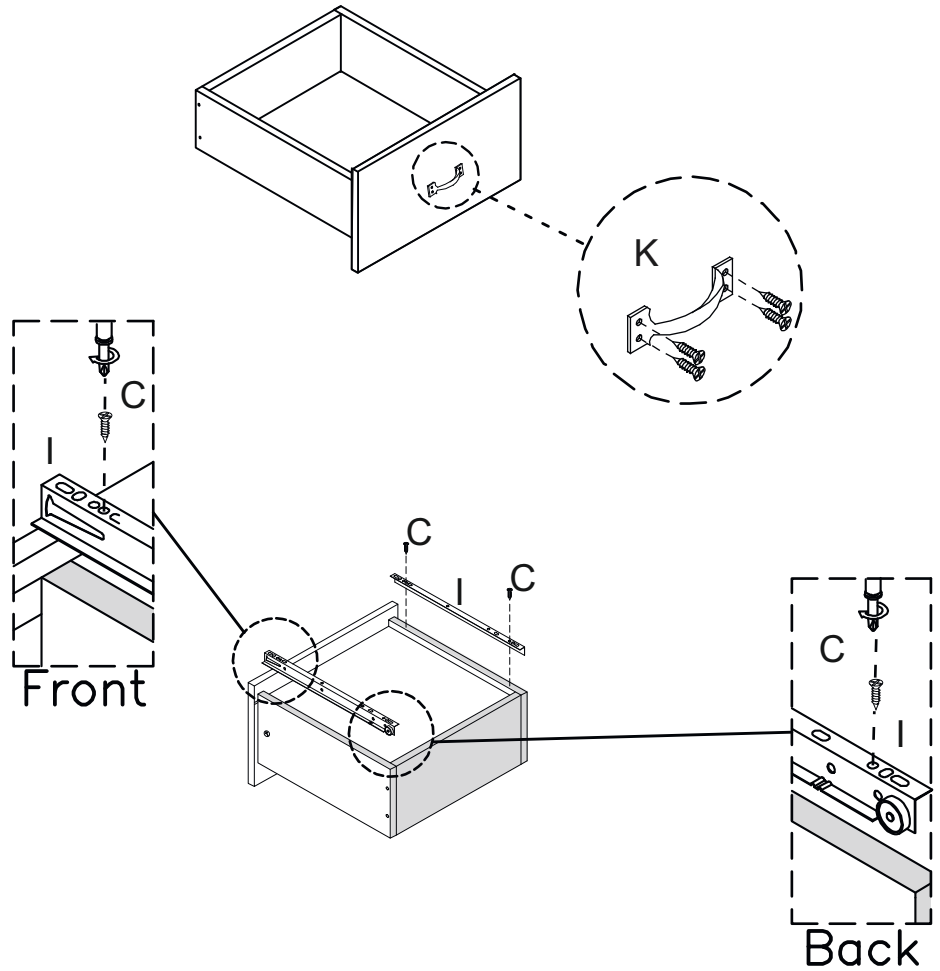
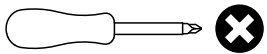
PARTS REQUIRED



HARDWARE REQUIRED

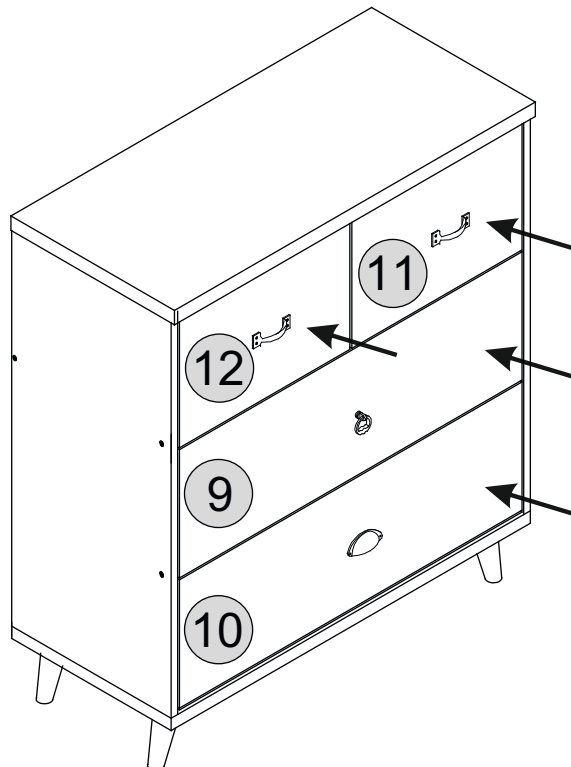
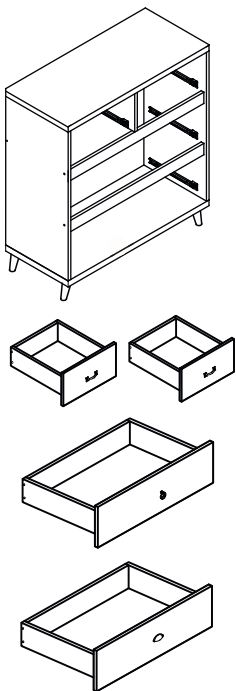


TOOLS REQUIRED



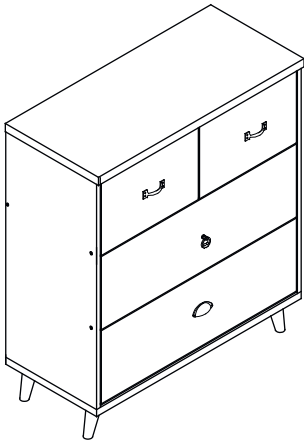
STEP 22

PARTS REQUIRED

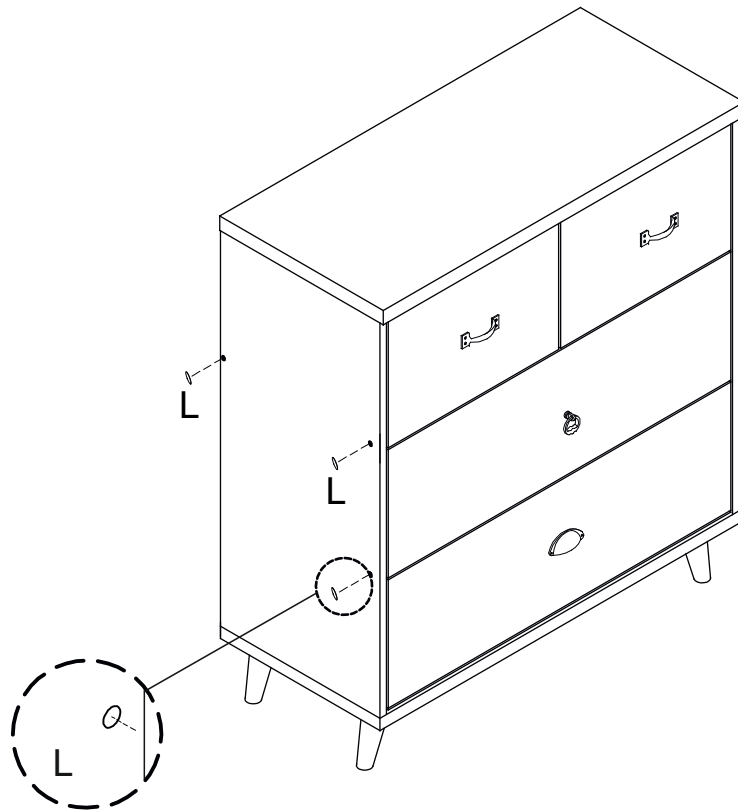


STEP 23

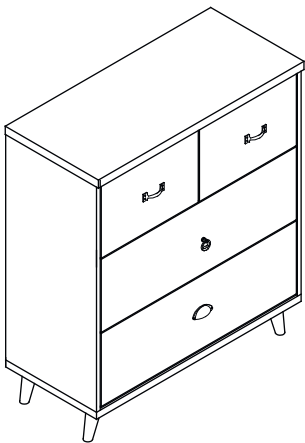
PARTS REQUIRED



HARDWARE REQUIRED



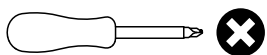
STEP 24



HARDWARE REQUIRED



TOOLS REQUIRED



WARNING

Serious or fatal injuries can occur from furniture tipping over. To prevent the furniture from tipping over we recommend that it is permanently fixed to the wall.

Wall fixings are not supplied with this product as different wall materials require different types of fixing devices. Please make sure you use fixings suitable for the walls in your home.

