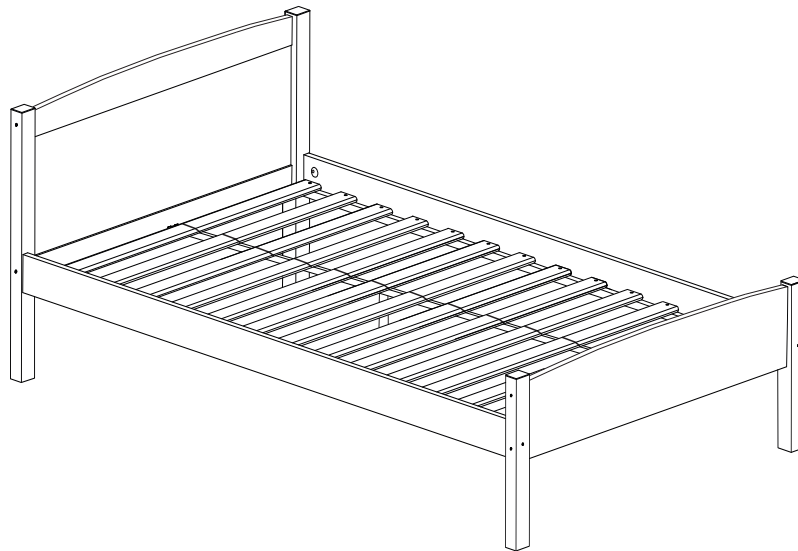
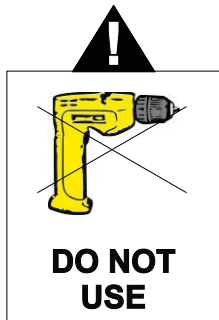
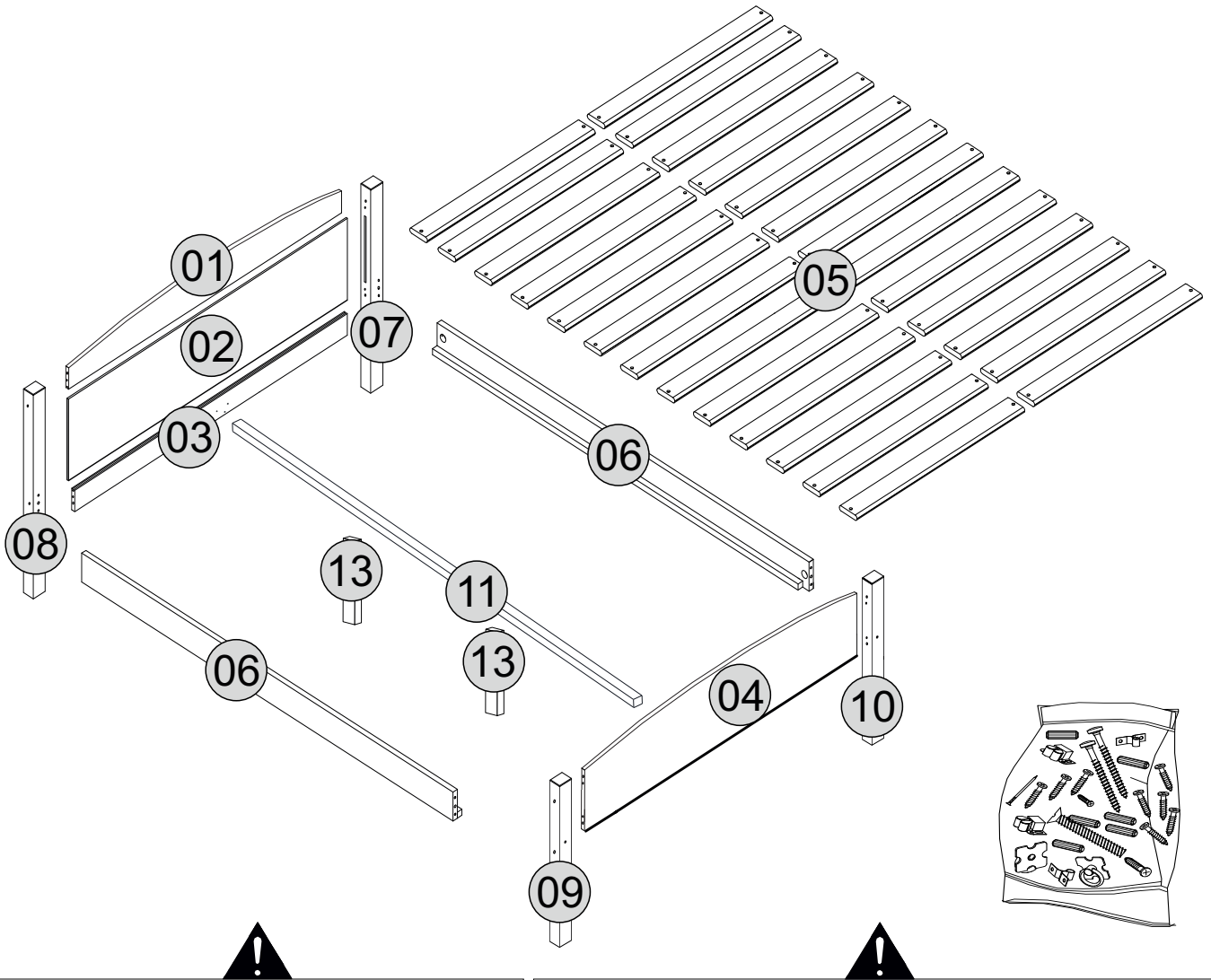


GREY SLATE AMBER 4'6" BED ASSEMBLY INSTRUCTIONS



IMPORTANT FOR DOMESTIC USE ONLY PLEASE READ BEFORE YOU CONTINUE FURTHER CARE AND MAINTENANCE

- After unpacking this product please keep the original packaging in case it needs to be returned for any reason.
- Please ensure all fittings and parts are present before commencing with assembly.
- We recommend that you lay a blanket or sheet on the floor to avoid damage to both your floor and the product.
- We strongly recommend that you keep children away from your work area.
- Assemble this product as close to its final position as possible.
- Never drag or push products as this could cause damage to the joints making it inferior.
- Do not drag or push items across your furniture as this may cause the surface to scratch.
- Do not place this product next to a radiator or in direct sunlight.
- Wood is a natural product and may expand if subjected to damp and may shrink or crack if subjected to heat. Therefore it is recommended that room temperature is maintained, with no sudden temperature fluctuations.
- Make sure any spillage is wiped off immediately.
- Do not place hot or chilled items directly on to the surface, use a place mat or marking will occur.
- For general cleaning use a soft cotton or microfibre cloth, and do not use detergents of any kind.
- Do not place on a wet or damp floor as staining may occur to your floor.
- From time to time it may be necessary to tighten fittings, regular inspections should be carried out.



*** Use of power tools to assemble this product will invalidate any claim and damage this product making it unsafe !!!**
*** Please assemble on a clean soft surface to avoid damage.**

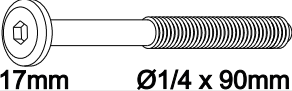

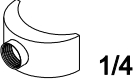


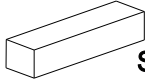
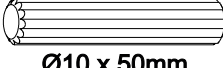
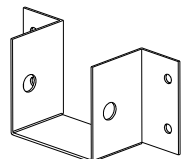
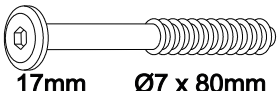



*** Please check contents and read the instructions before commencing assembly.**
*** Assemble this product following the enclosed instructions carefully.**
*** Please take care to avoid damaging panels during assembly.**

Please Note:
 The below highlighted parts have been number/colour coded to help identify them during assembly.

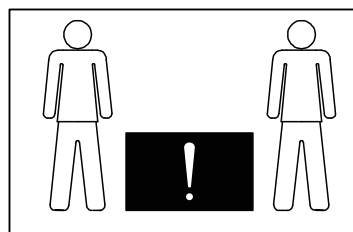
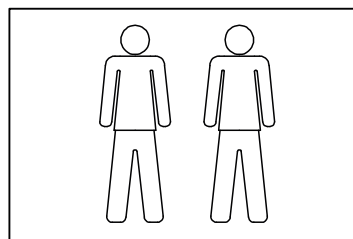
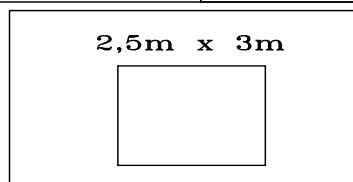
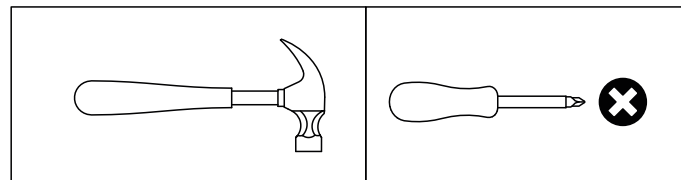
PARTS LIST

Part Number	Part Code	Part Description	Quantity	Carton
00	S200-203-108-PJ1-00	Hardware Kit	1	1/2
01	S200-203-108-PJ1-01	Upper Crossbeam	1	1/2
02	S200-203-108-PJ1-02	Large Panel	1	1/2
03	S200-203-108-PJ1-03	Lower Crossbeam	1	1/2
04	S200-203-108-PJ1-04	Small Panel	1	1/2
05	S200-203-108-PJ1-05	Slats (02 Holes)	26	1/2
06	S200-203-108-PJ1-06	Siderails	2	2/2
07	S200-203-108-PJ1-07	Right Headboard Post	1	1/2
08	S200-203-108-PJ1-08	Left Headboard Post	1	1/2
09	S200-203-108-PJ1-09	Left Footboard Post	1	1/2
10	S200-203-108-PJ1-10	Right Footboard Post	1	1/2
11	S200-203-108-PJ1-11	Centre Support Rail	1	2/2
13	S200-203-108-PJ1-13	Centre Support Leg	2	2/2

FITTINGS

A	 17mm Ø1/4 x 90mm	12	H	 Ø1/4" x 60	02
B	 1/4	12	I		01
C	 Ø3,5 x 30mm	52	J	 SPACER	02
D	 Ø10 x 50mm	08	K		02
E	 17mm Ø7 x 80mm	02			
F	 Ø8 x 50mm	08	L	 GLUE	01
G	 Ø4,0 x 16mm	08			

TOOLS REQUIRED



STEP 1

PARTS REQUIRED


01- UPPER CROSSBEAM x1

03- LOWER CROSSBEAM x1

07- RIGHT HEADBOARD POST x1


08- LEFT HEADBOARD POST x1

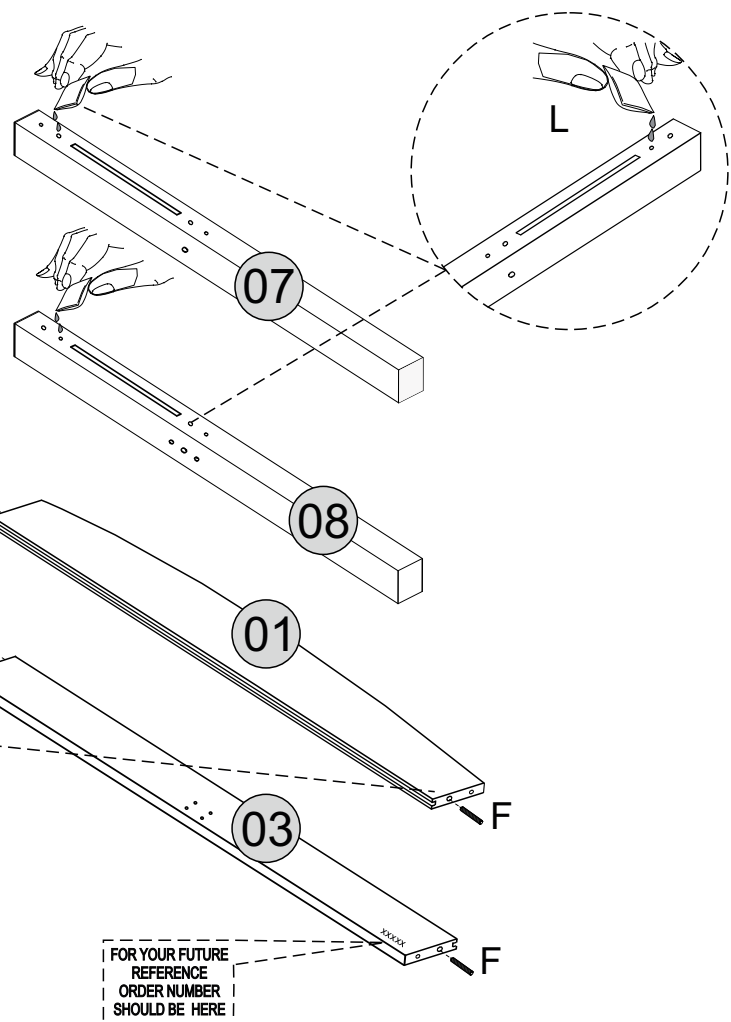
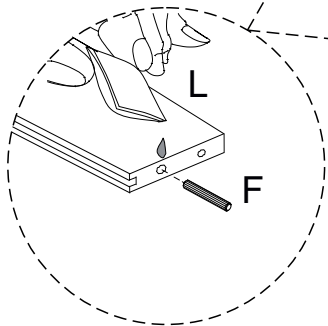
HARDWARE REQUIRED

F  04
Ø8 x 50mm

L  01
GLUE

TOOLS REQUIRED

 Glue must be added to the dowel holes on part 01,03,07 and 08.



STEP 2

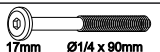
PARTS REQUIRED

01- UPPER CROSSBEAM x1

03- LOWER CROSSBEAM x1

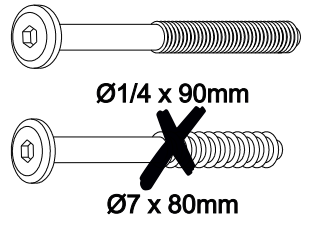
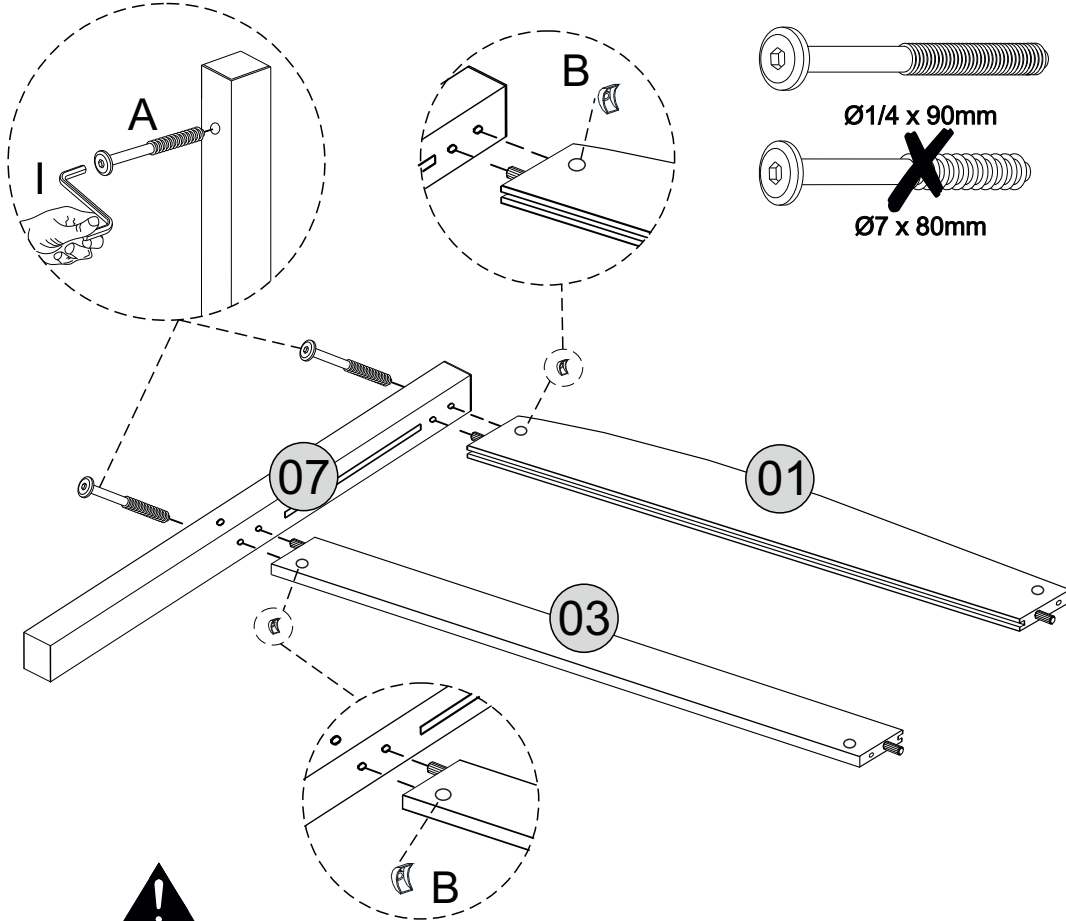
07- RIGHT HEADBOARD POST x1

HARDWARE REQUIRED

A  02
17mm Ø1/4 x 90mm

B  02
1/4

TOOLS REQUIRED

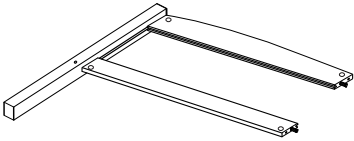


 Please assemble on a clean soft surface to avoid damage.

STEP 3

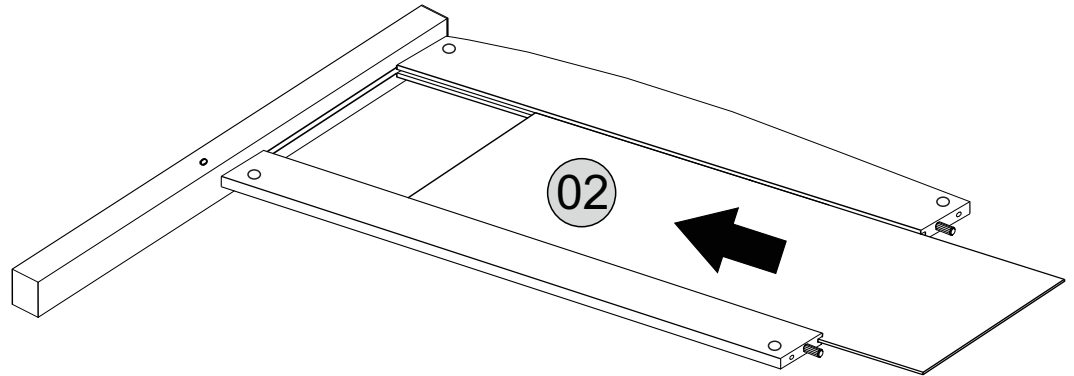
PARTS REQUIRED

02- LARGE PANEL x1



HARDWARE REQUIRED

TOOLS REQUIRED

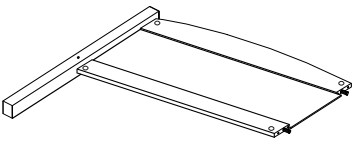


Please assemble on a clean soft surface to avoid damage.

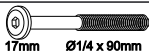
STEP 4

PARTS REQUIRED

08- LEFT HEADBOARD POST x1

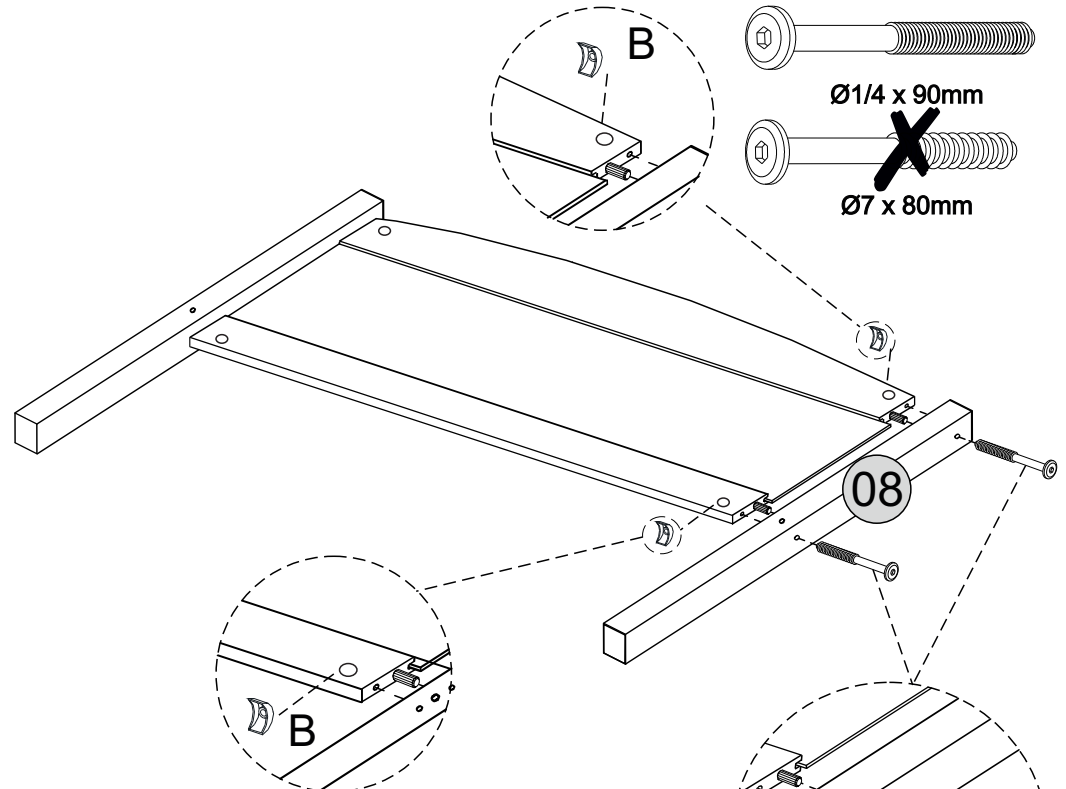


HARDWARE REQUIRED

A  02
17mm Ø1/4 x 90mm

B  02
1/4

TOOLS REQUIRED



Please assemble on a clean soft surface to avoid damage.

STEP 5


PARTS REQUIRED

04- SMALL PANEL x1

09- LEFT FOOTBOARD POST x1


10- RIGHT HEADBOARD POST x1

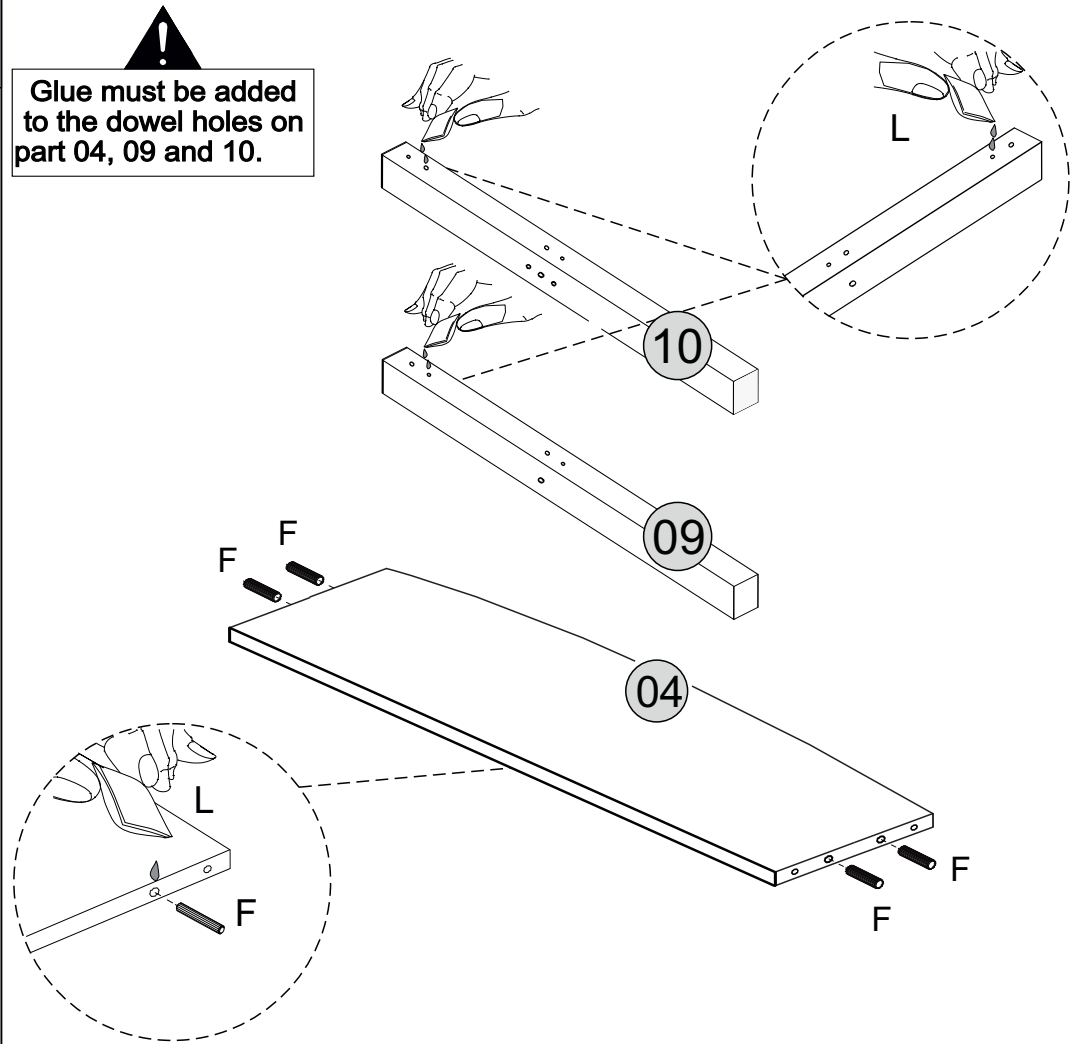
HARDWARE REQUIRED

F  04
Ø8 x 50mm

L  01
GLUE

TOOLS REQUIRED

 **Glue must be added to the dowel holes on part 04, 09 and 10.**



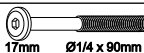
STEP 6

PARTS REQUIRED

04- SMALL PANEL x1

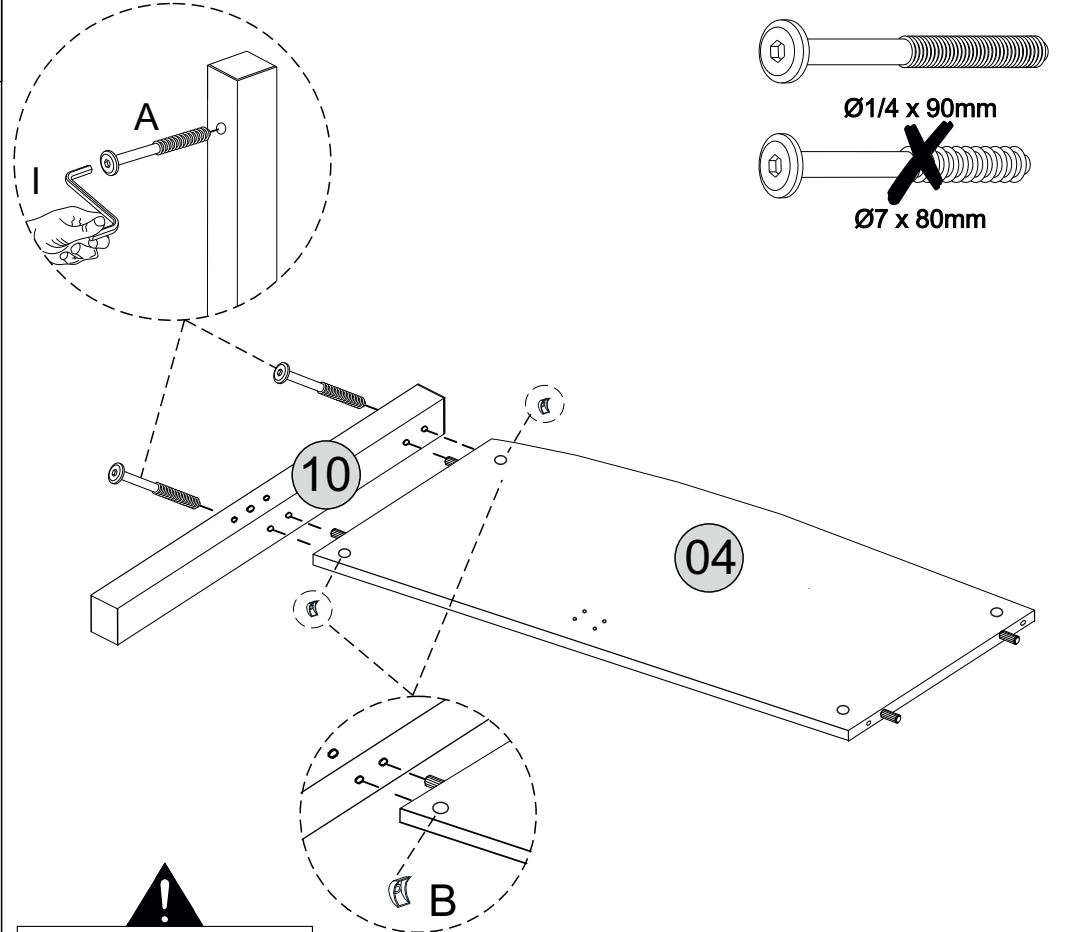
10- RIGHT FOOTBOARD POST x1

HARDWARE REQUIRED

A  02
17mm Ø1/4 x 90mm

B  02
1/4

TOOLS REQUIRED

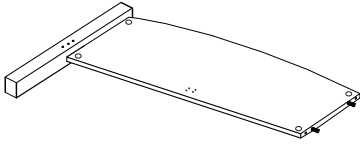


 **Please assemble on a clean soft surface to avoid damage.**


STEP 7

PARTS REQUIRED

09-LEFT FOOTBOARD POST x1

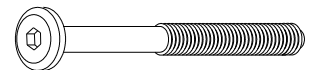


HARDWARE REQUIRED

A  17mm $\varnothing 1/4 \times 90\text{mm}$ 02

B  1/4 02

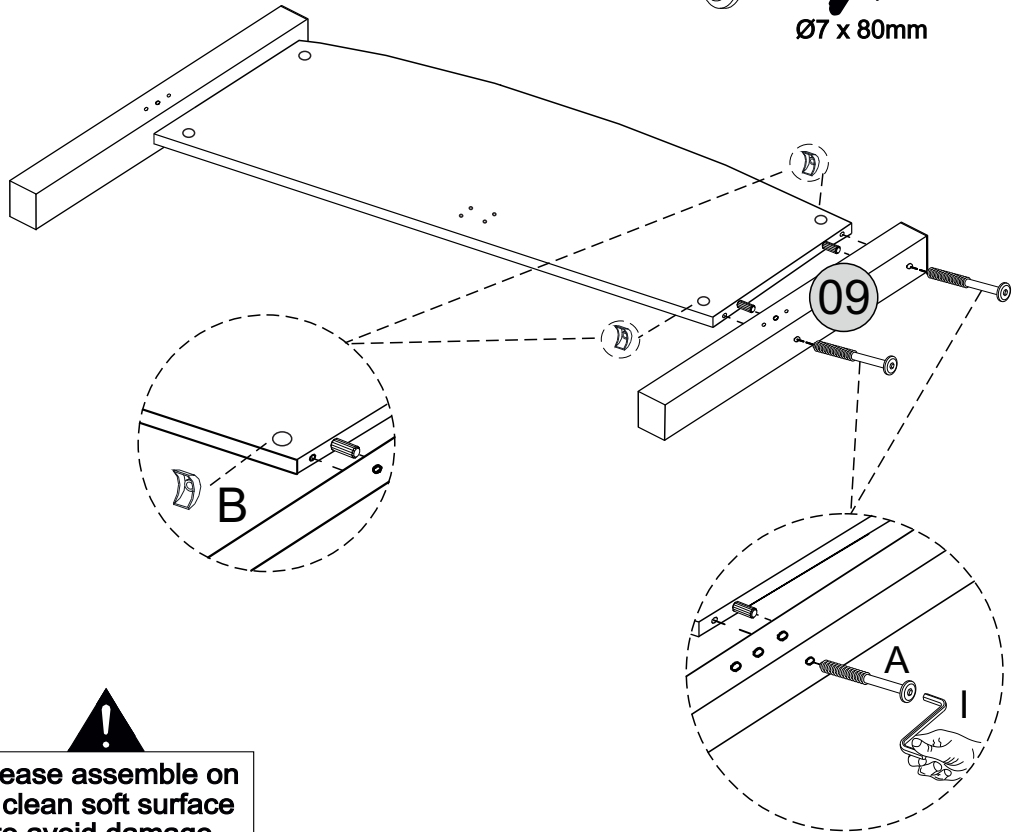
TOOLS REQUIRED



$\varnothing 1/4 \times 90\text{mm}$



$\varnothing 7 \times 80\text{mm}$



 Please assemble on a clean soft surface to avoid damage.

STEP 8

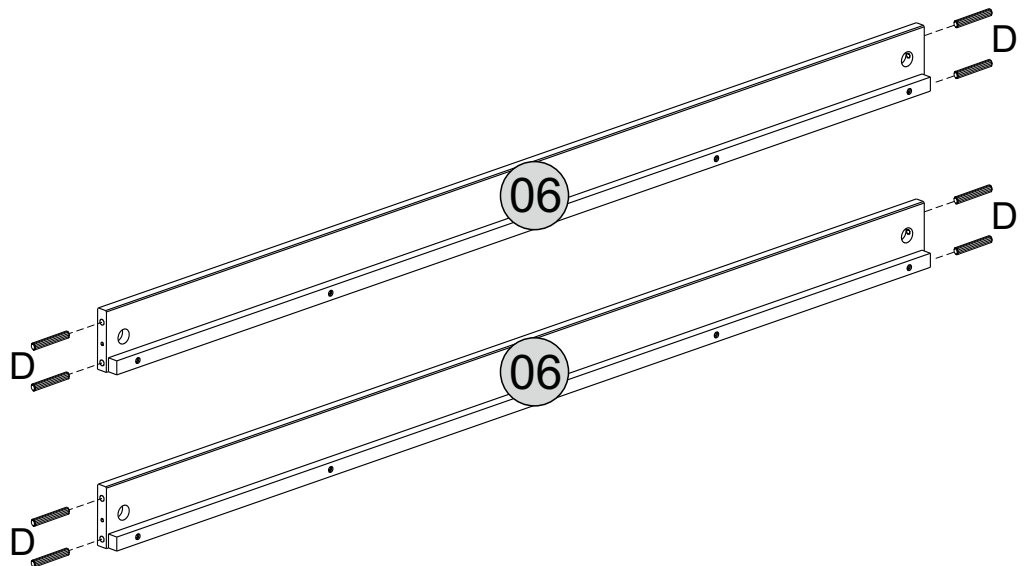
PARTS REQUIRED

06- SIDERAILS x2

HARDWARE REQUIRED

D  $\varnothing 10 \times 50\text{mm}$ 08

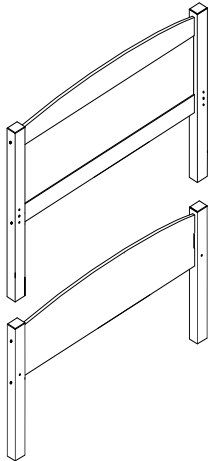
TOOLS REQUIRED



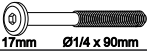
STEP 9

PARTS REQUIRED

06- SIDERAILS x2

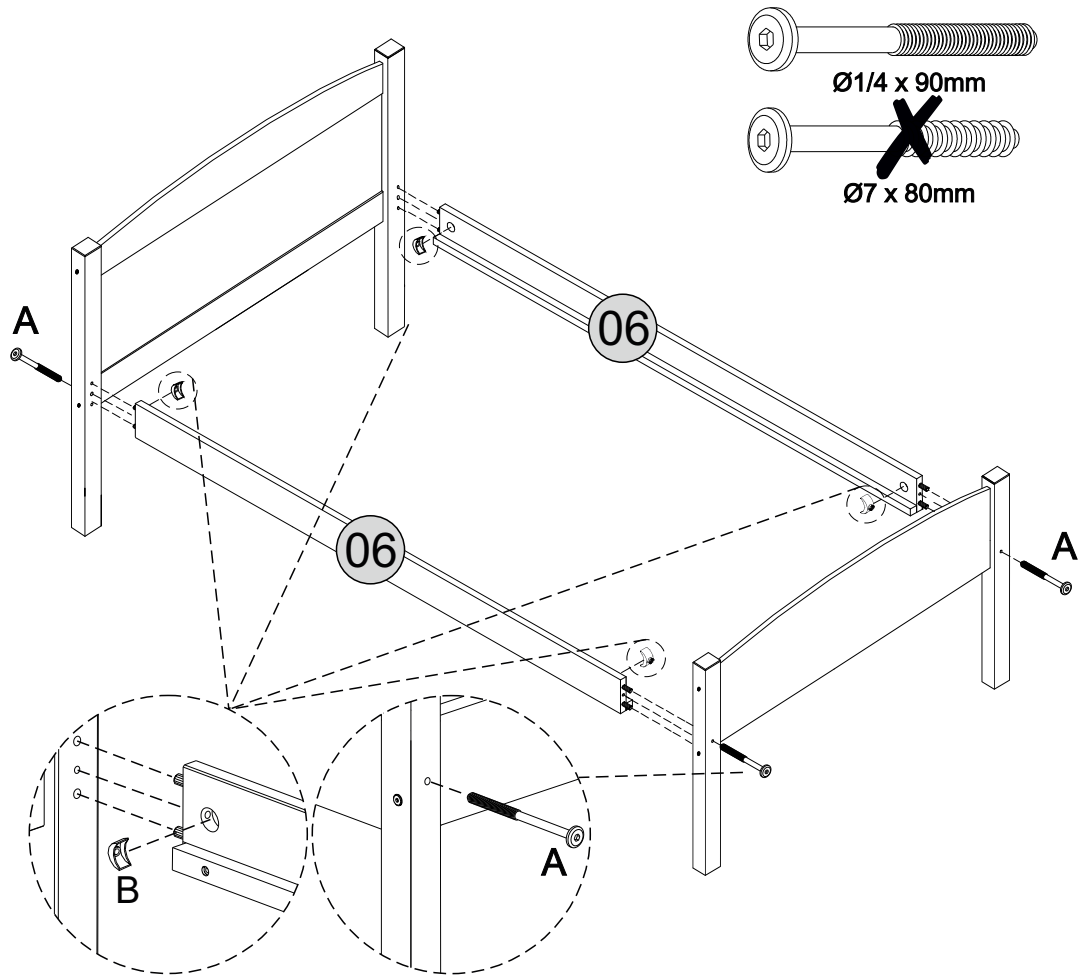


HARDWARE REQUIRED

A  04

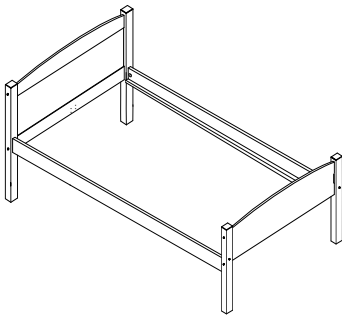
B  04

TOOLS REQUIRED

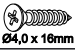



STEP 10

PARTS REQUIRED

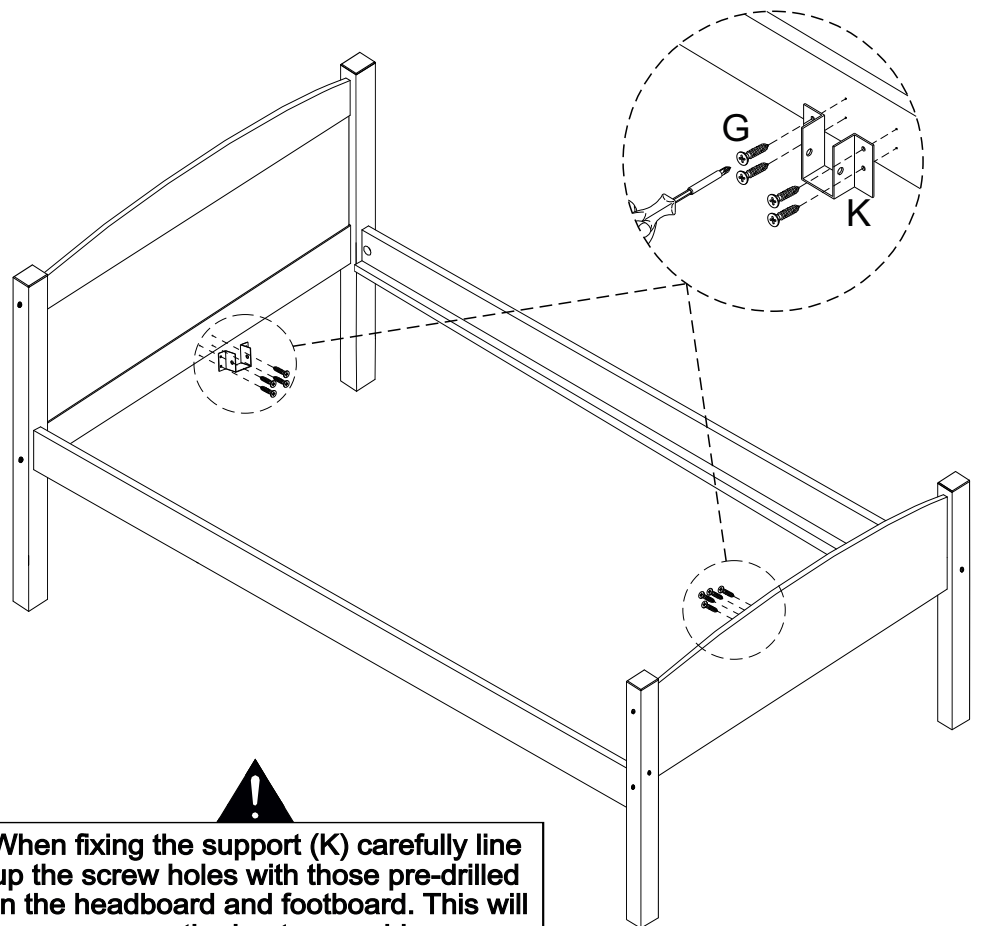
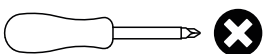


HARDWARE REQUIRED

G  08

K  02

TOOLS REQUIRED




 When fixing the support (K) carefully line up the screw holes with those pre-drilled on the headboard and footboard. This will ensure the best assembly.

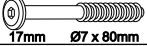
STEP 11

PARTS REQUIRED

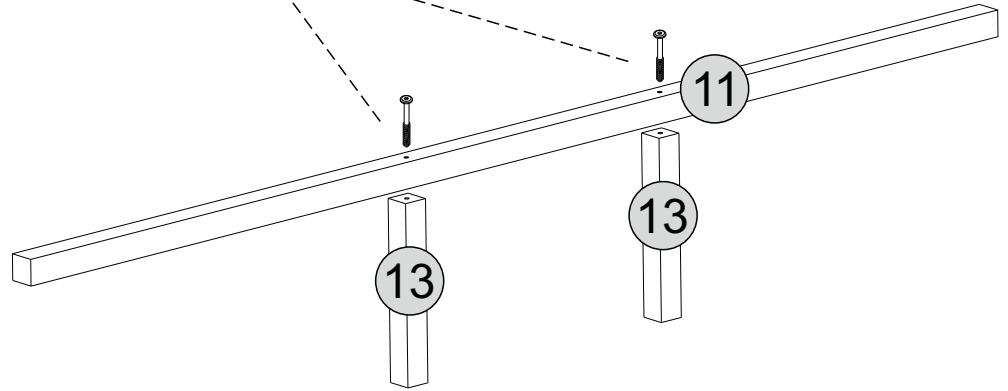
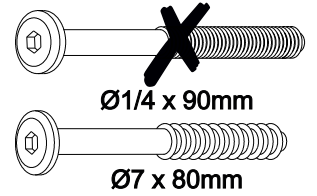
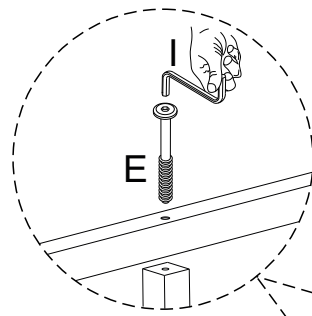
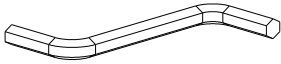
11- CENTRE SUPPORT RAIL x1

13- CENTRE SUPPORT LEG x2

HARDWARE REQUIRED

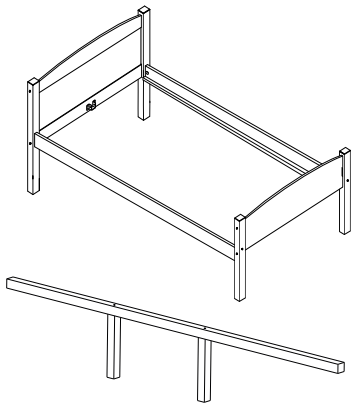
E  02
17mm Ø7 x 80mm

TOOLS REQUIRED




STEP 12

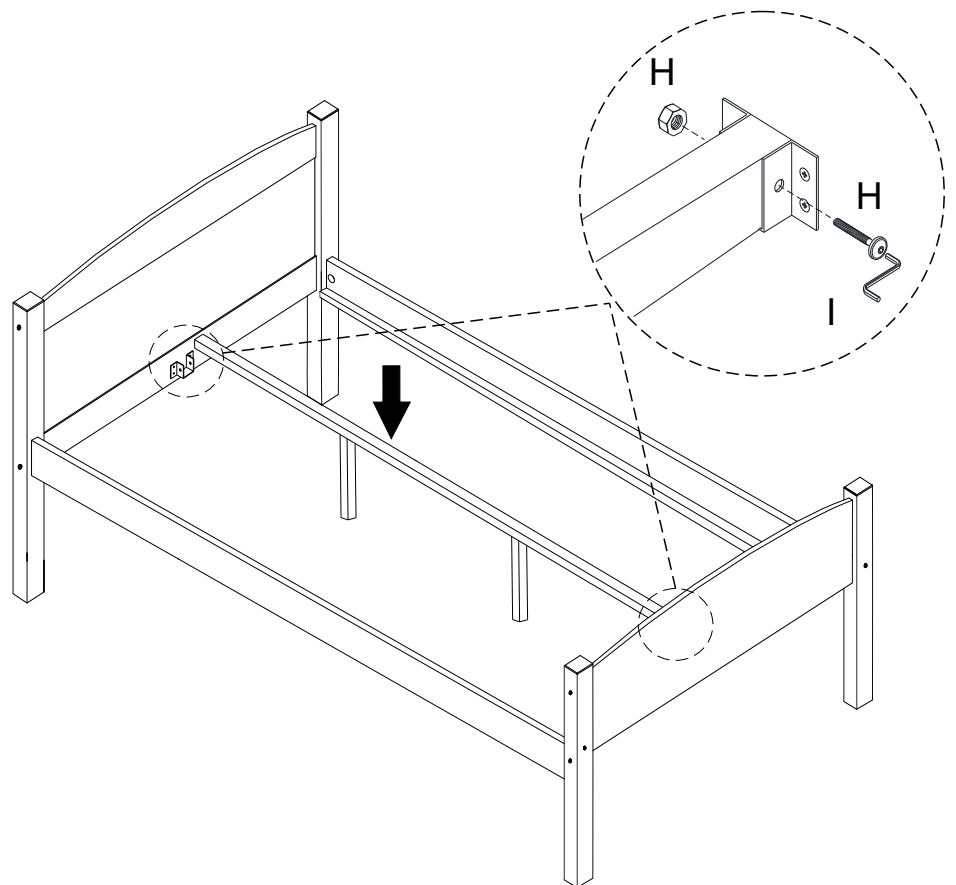
PARTS REQUIRED



HARDWARE REQUIRED

H  02
Ø14* x 60mm

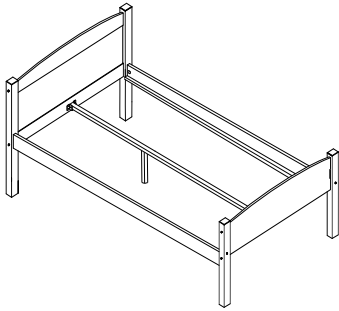
TOOLS REQUIRED



STEP 13

PARTS REQUIRED

05- SLATS (02 HOLES) x26

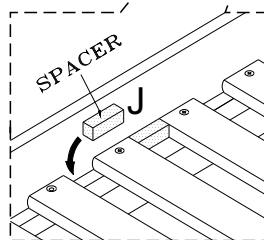
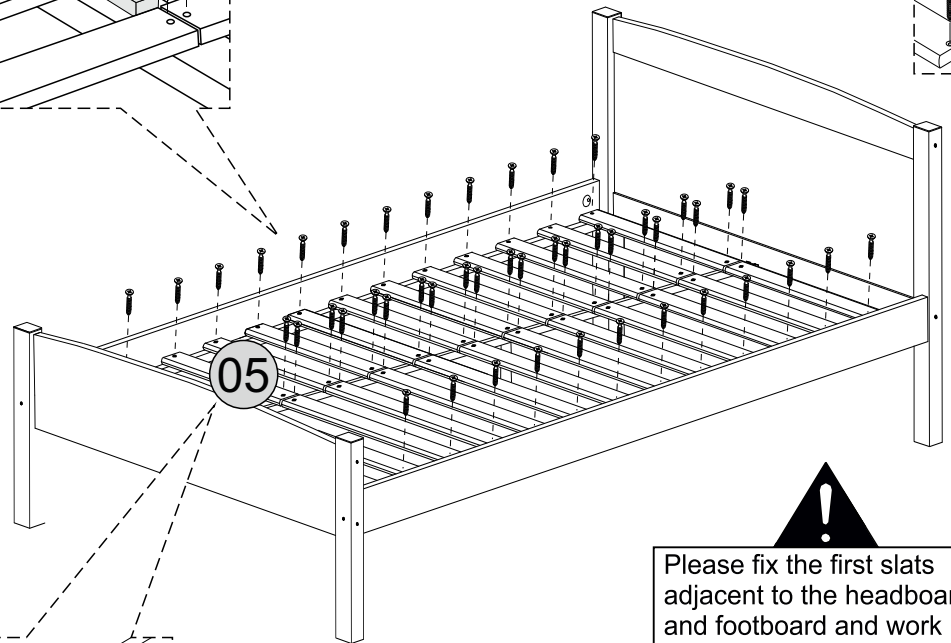
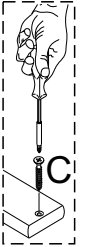
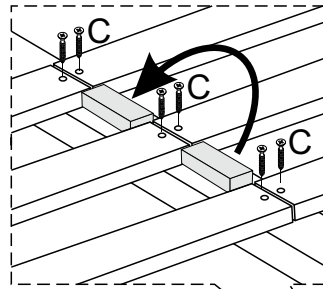
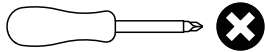


HARDWARE REQUIRED

C  52
Ø3,5 x 30 mm

J  02
SPACER

TOOLS REQUIRED



!
Please fix the first slats adjacent to the headboard and footboard and work towards the middle of the bed using the spacer (J) as shown to ensure correct spacing. Fix all the slats to one siderail first then push the second siderail tight against the slats and fix.