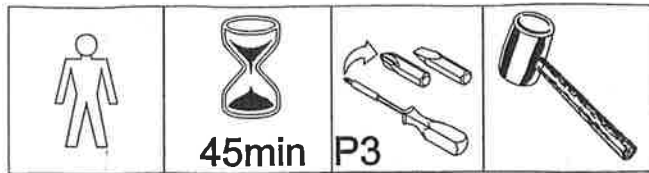


CL510



Thank you for choosing this furniture.

BEFORE YOU START ASSEMBLY please store the carton at room temperature for 48 hours or more so the contents can acclimatise.

PLEASE RETAIN ALL PACKING UNTIL YOU HAVE COMPLETED ASSEMBLY.

Information about your Pine furniture.

Our pine furniture ranges have been carefully crafted from solid wood and natural wood veneers. Each piece of pine has unique characteristics such as knots, variances in shading and graining. These are part of the natural character of the furniture itself.

Caring for your Pine furniture.

Extreme temperature can cause slight movements in the wood itself so please avoid placing your furniture close to radiators or other direct sources of heat. Humidity should also be avoided.

Please avoid exposing your furniture to continued bright sunlight as it can affect the colour.

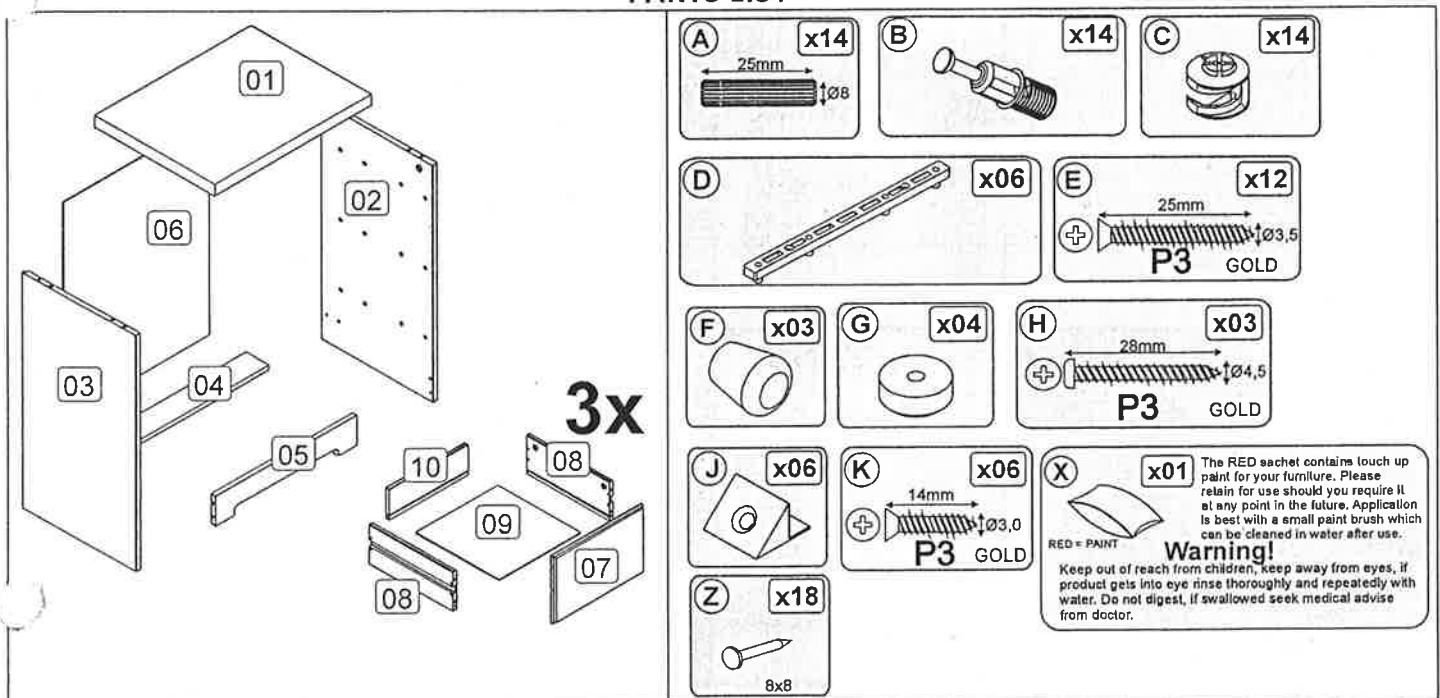
Any fluid spills should be removed as quickly as possible.

Always lift your furniture when moving as dragging may cause damage to your furniture or flooring.

After care.

Wipe the surfaces with a dry cloth and an occasional use of a normal household furniture polish. For the models with drawers, we also recommend you use household spray polish occasionally on drawer grooves and runners as this will aid use. Please do not use detergents or chemicals on your furniture.

NEW PARTS LIST



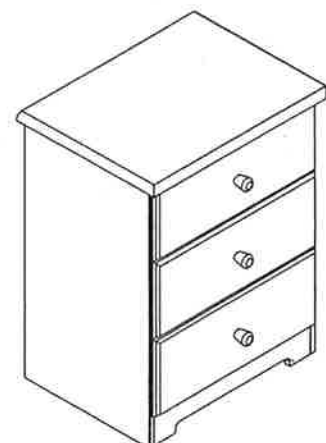
BEFORE YOU START ASSEMBLY

Please check that you have all the correct parts and fittings as detailed in the Parts List above.

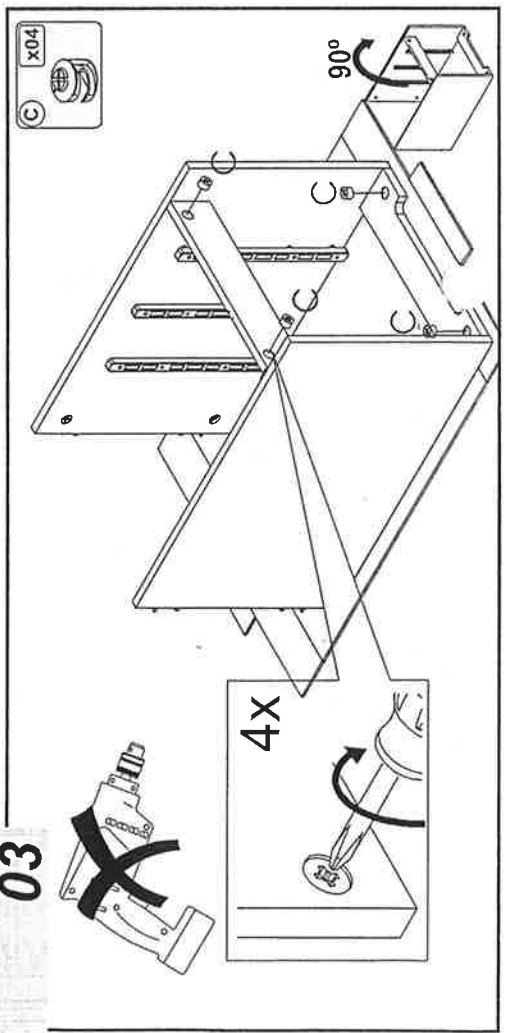
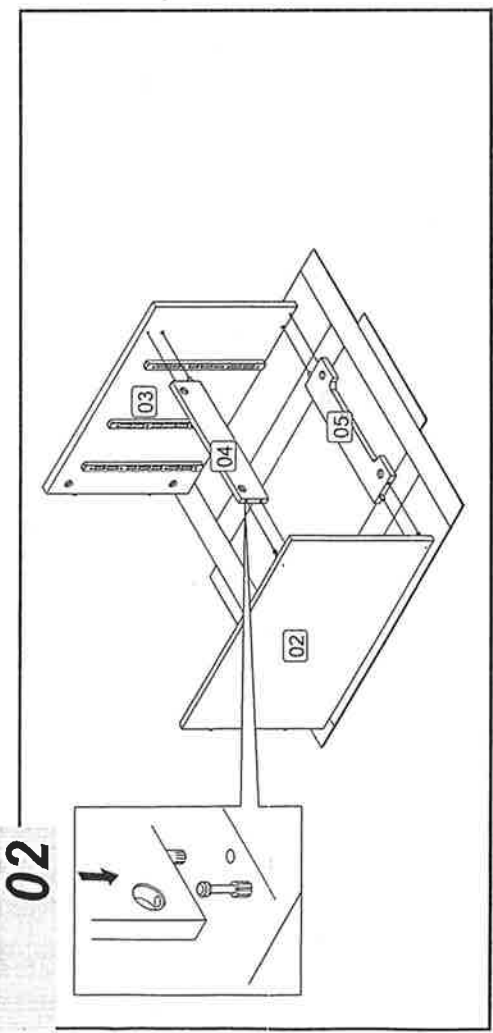
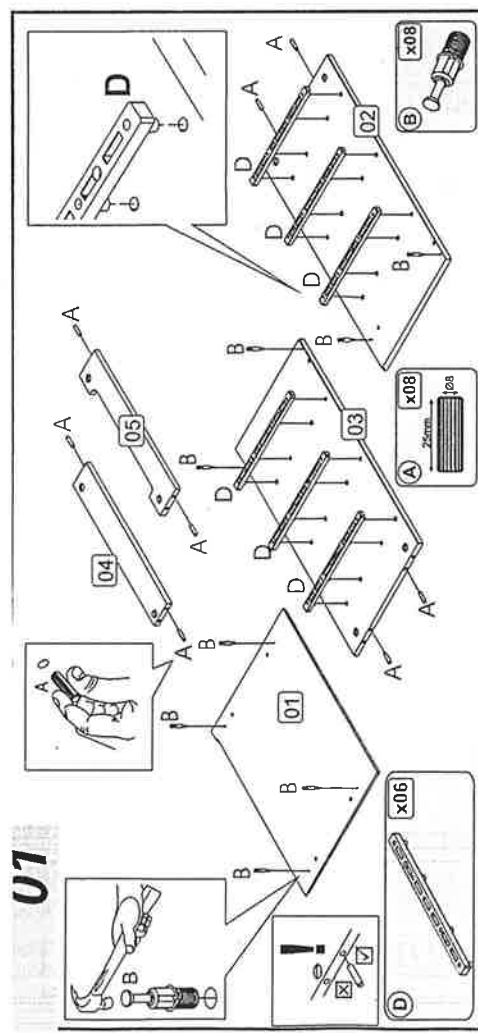
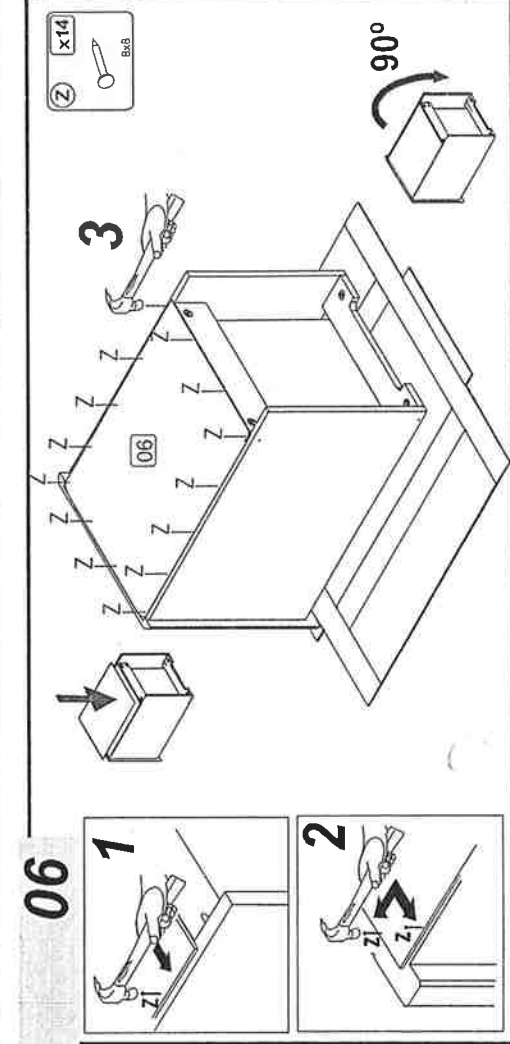
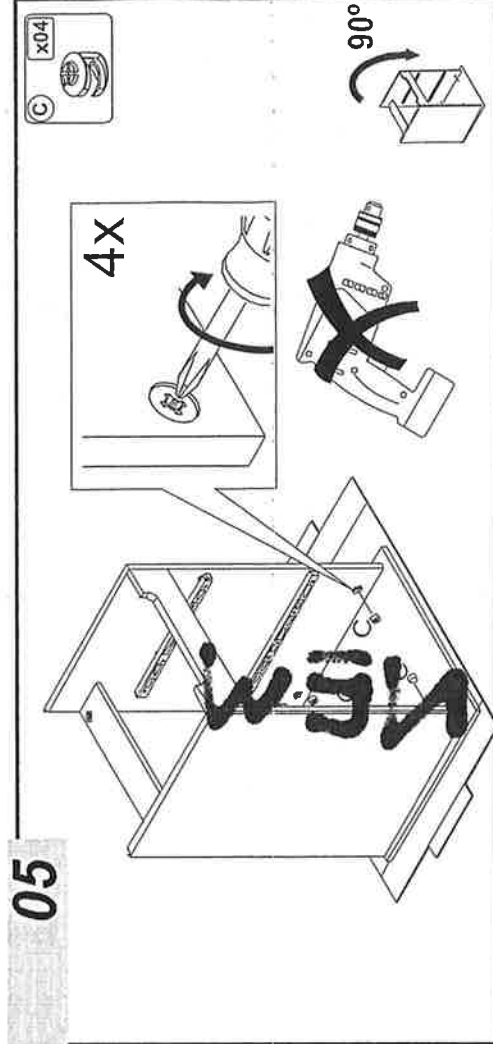
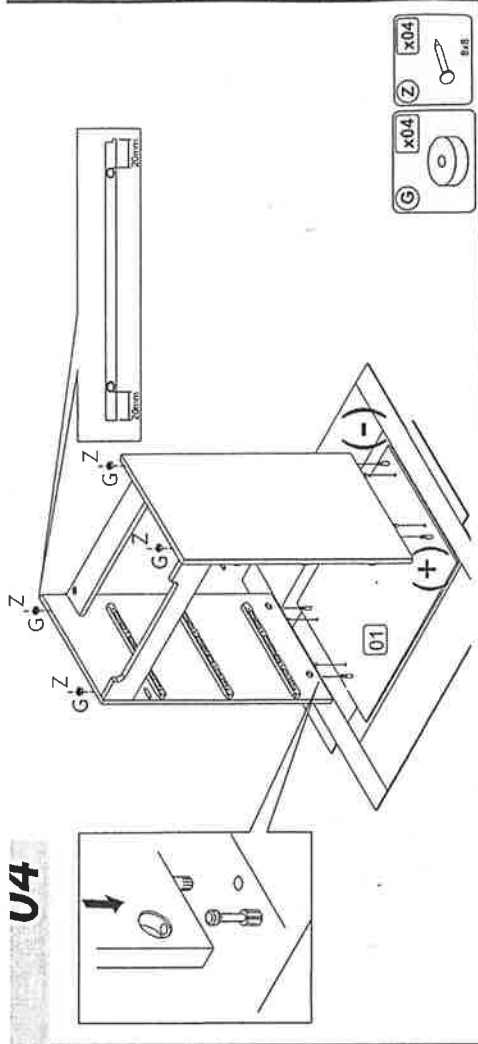
In the unlikely event that you require to order spare parts please refer to your delivery note for details of how to order on our Parts Website.

www.coreproducts.co.uk/parts

BATCH NUMBER **2018-0023**



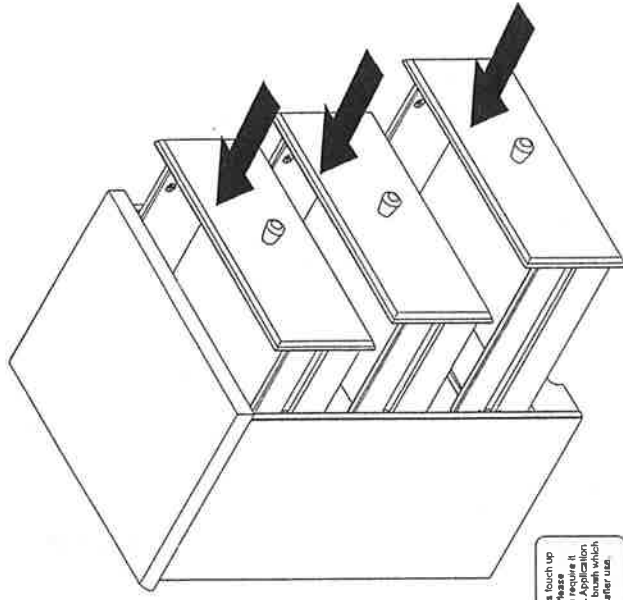
PLEASE RETAIN THIS INSTRUCTION LEAFLET FOR FUTURE REFERENCE.



12

IMPORTANT NOTICE

Please avoid opening all drawers or doors simultaneously as this could cause your furniture to fall forwards. Where there is a risk of this occurring, especially in environments with children or uneven floors we recommend that this item of furniture is attached to your wall using appropriate fixings (not supplied).



X01
 The RED sachet contains touch up paint for use should you require it at any point in the future. Application is best with a small paintbrush which can be obtained in your local store.

08 **3X**

08 **09**

07 **3X**

07 **08**

A **x06**
B **x06** **20mm**

09 **3X**

09 **08**

C **x06**

11 **3X**

11 **10**

F **x03**

H **x03** **25mm** **P3 GOLD**

10 **3X**

10 **09**

J **x06** **14mm** **P3 GOLD**
K **x12** **25mm** **P3 GOLD**