



Birlea

Suppliers of inspiration

Assembly Instructions

Thank you for
purchasing a
Birlea product.

For a chance to win a Love 2 Shop voucher simply post a picture of your new product on your preferred social channels tagging Birlea Furniture and using the hashtag **#ShareYourStyle** and **#Birlea**. One winner will be selected at random each month.

To view our full terms and conditions please visit www.birlea.com

Are you happy with your purchase?

Yes: That's great, we would love to hear more from you. Please leave us a review on our social media channels or Trustpilot. Your feedback will be greatly appreciated.

No: If for any reason there is something missing, indifferent or incorrect with your order, please contact the retailer you purchased the item from. We will work with the retailer to resolve your issue as quickly as possible.



ASSEMBLY INSTRUCTIONS HIGHGATE 2 DOOR 2 DRAWER SIDEBOARD

IMPORTANT: READ THESE INSTRUCTIONS CAREFULLY BEFORE ASSEMBLING OR USING YOUR HIGHGATE 2 DOOR 2 DRAWER SIDEBOARD .

PLEASE KEEP THESE INSTRUCTIONS FOR FUTURE REFERENCE.

HEALTH & SAFETY:

DO NOT use this item if any parts are missing, damaged or worn.

DO NOT use this item unless all fixings are secured.

Please keep small parts out of reach of children.

Always use on a level, even surface.

It is recommended that two people handle and assemble the item.

Birlea advise you use the wall straps provided to further enhance the safety of this product.

CARE & MAINTENANCE:

Assemble in the room of use.

To avoid damages assemble the item on a soft, clean surface

Periodically check all screws & fixings to ensure they are secure.

DO NOT push the item as this will damage the base.

Always lift the item with two people to reposition.

Keep any sharp objects away from the item.

This product is manufactured in pine which is a wood with natural characteristics including knots, grains, clusters or indentations.

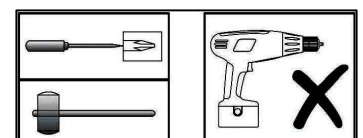
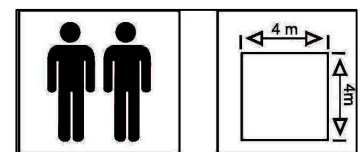
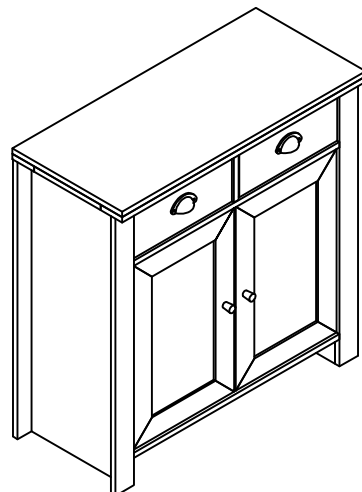
On unpacking the item you may notice an odour due to production processes but this will disappear after a period of time.

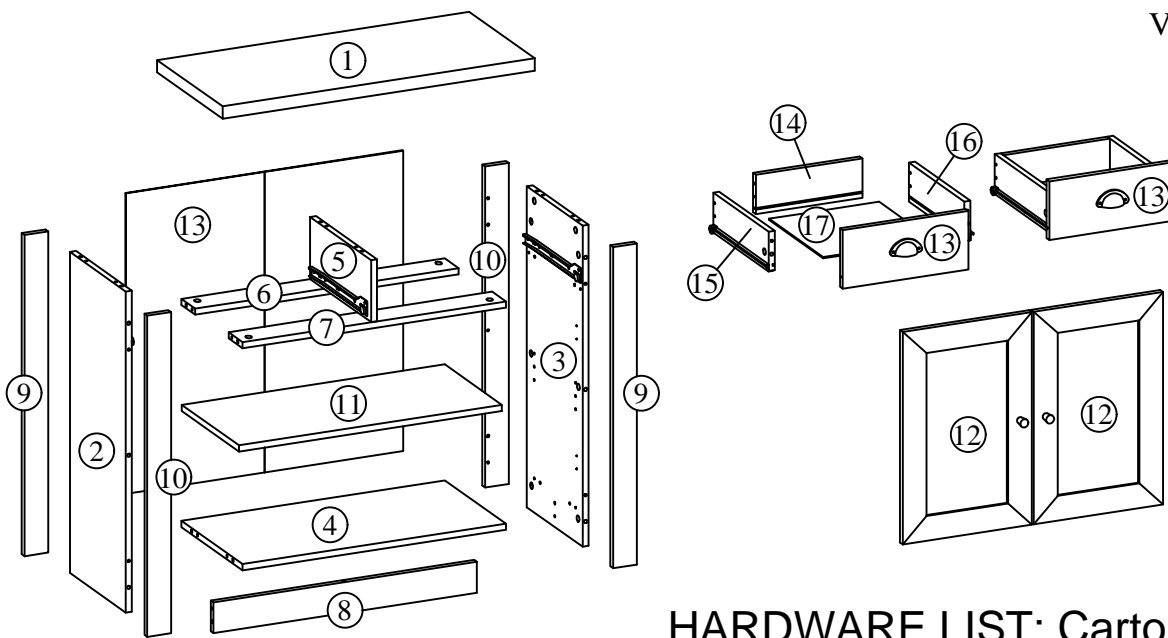
DO NOT place the item next to a radiator or direct sunlight - this item is susceptible to temperature change. It is recommended an even room temperature be maintained with no sudden fluctuations.

DO NOT place hot or cold items directly onto the surface of the item as marking will occur

For general cleaning use a duster or damp cloth (almost dry) not wet - do not use soap and water, detergents, aerosol sprays or any polish as use of these materials would invalidate any claims.

DO NOT place the item onto wet or damp flooring as staining may occur to the floor.





PARTS LIST

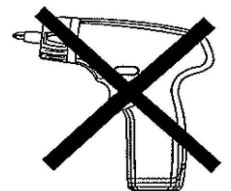
Carton 1 of 1:

Part	Description	Qty
1	Top Panel	1
2	Left Panel	1
3	Right Panel	1
4	Bottom Panel	1
5	Center Panel	1
6	Back Support Panel	1
7	Front Support Panel	1
8	Plinth Panel	1
9	Left Front & Right Back Post Panel	2
10	Left Back & Right Front Post Panel	2
11	Shelf Panel	1
12	Door	2
13	Drawer Front Panel	2
14	Drawer Back Panel	2
15	Drawer Left Panel	2
16	Drawer Right Panel	2
17	Drawer Bottom Panel	2
18	Back Panel	2

HARDWARE LIST: Carton 1 of 1





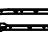



Part	Description	Qty
A	CAM NUT 15mm 	33
B	CAM BOLT 	33
C	WOOD DOWEL M6 x 25mm 	30
D	CSK SCREW M4 x 38mm 	8
E	CSK SCREW M3.5 x 12mm 	24
F	PAN HEAD SCREW M3.5 x 12mm 	4
G	TXM MOON HANDLE 	2
H	METAL RUNNER TRUCK 12" 	2
I	METAL RUNNER 12" 	2
J	PVC NAIL 	4
K	NAIL 	30
L	CSK SCREW M4 x 16mm 	16
M	CSK SCREW M4 x 45mm 	2
N	T/MS SCREW M4 x 22mm 	2
O	HINGES 7/8" 	4
P	METAL SHELF SUPPORT 	4
Q	TXM NOSE ROUND HANDLE 	2
R	WASHER (M4) 	4
S	ANTI TIP STRAP 	2
T	CSK SCREW M4 x 20mm 	4

** You will need a screwdriver and a small mallet (NOT provided)

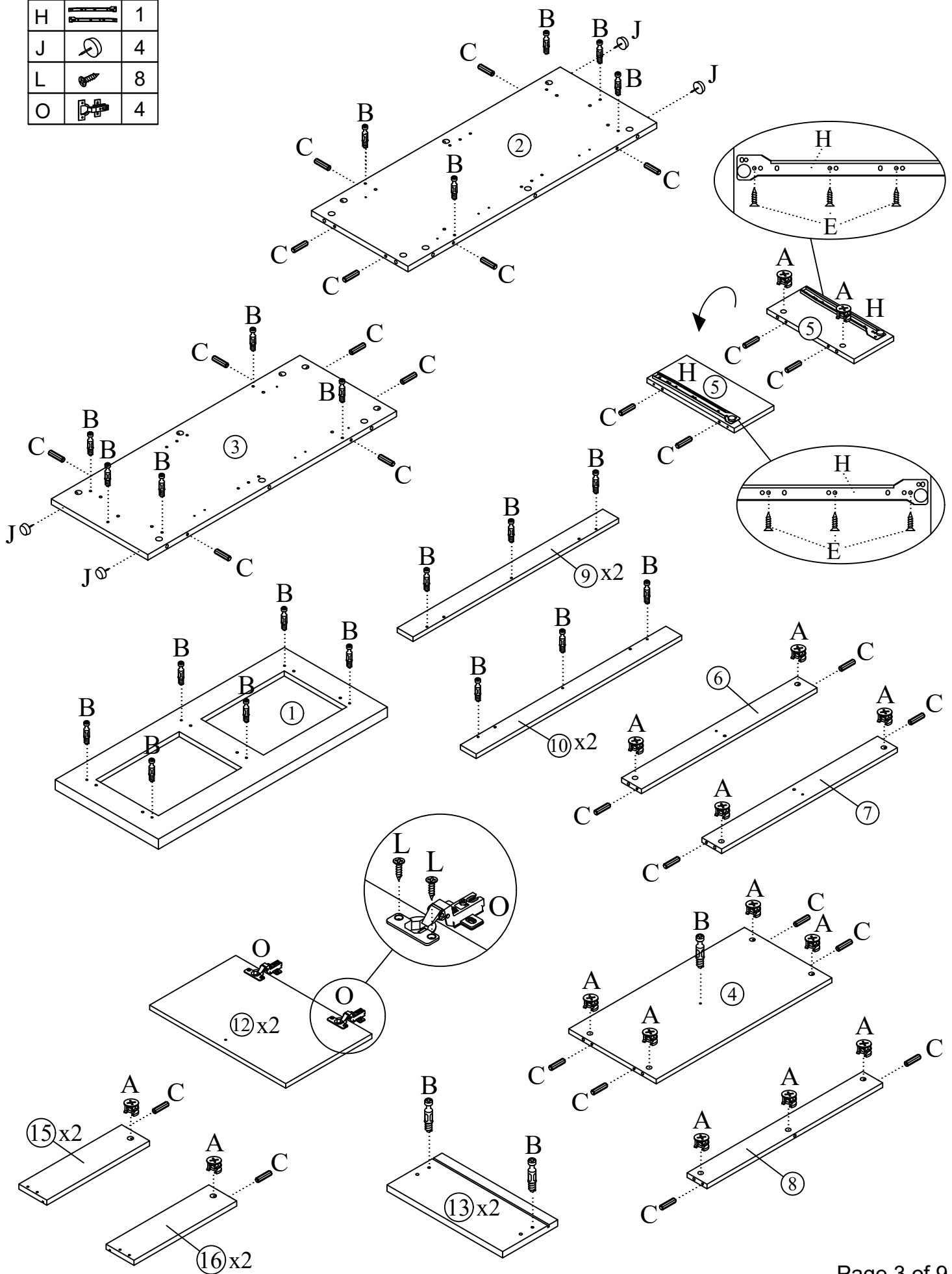


** WARNING: THE USE OF POWER TOOLS TO ASSEMBLE THIS PRODUCT WILL INVALIDATE ANY CLAIM AND MAY DAMAGE THIS PRODUCT MAKING IT UNSAFE.


1

A		17
B		17
C		30
E		6
H		1
J		4
L		8
O		4

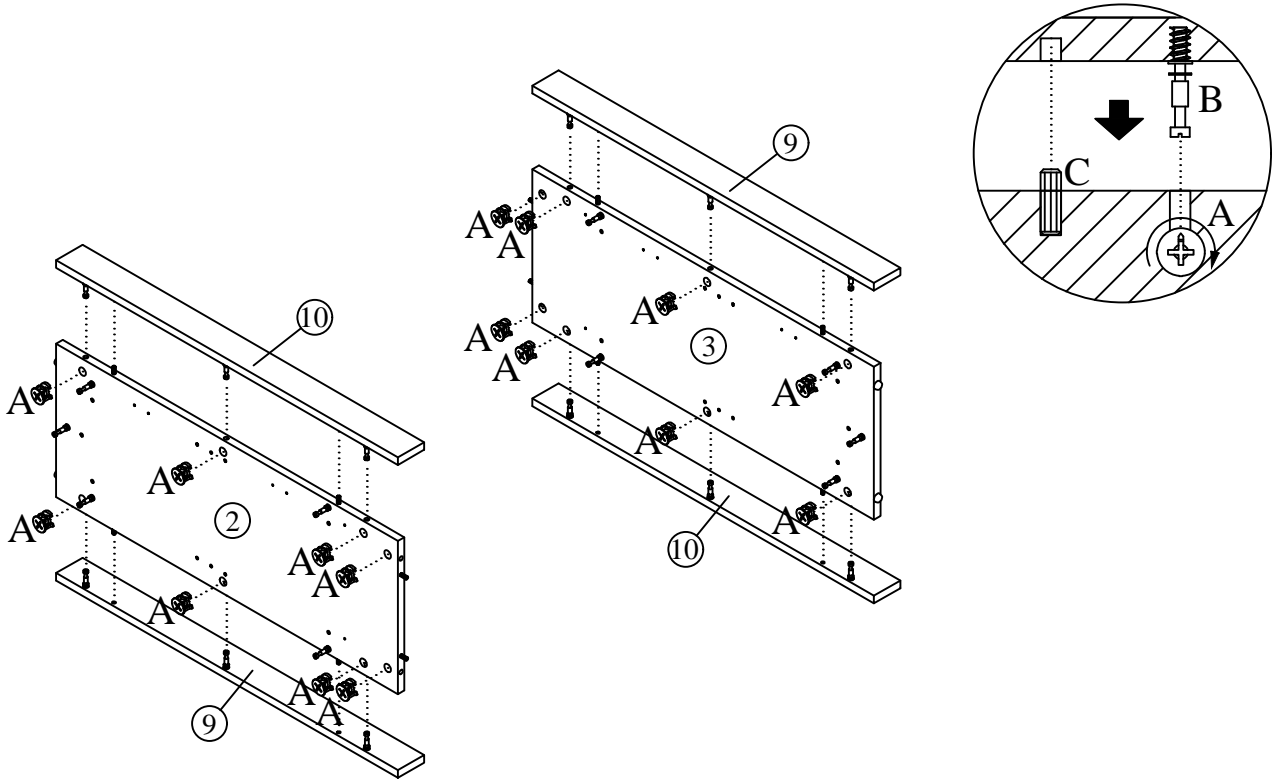
Insert hardware part A & part B using a screwdriver (not provided). Vendor: S000398
 Insert hardware part C using a small mallet (not provided). Insert hardware part J using a small mallet (not provided). Fix hardware H with screw E using screwdriver (not provided).
 Fix Hinges (O) using screw (L) by screwdriver (not provided).
 DO NOT use any power tools as this may damage the frame and will invalidate any claim.



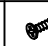
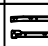
2

A		16
---	---	----

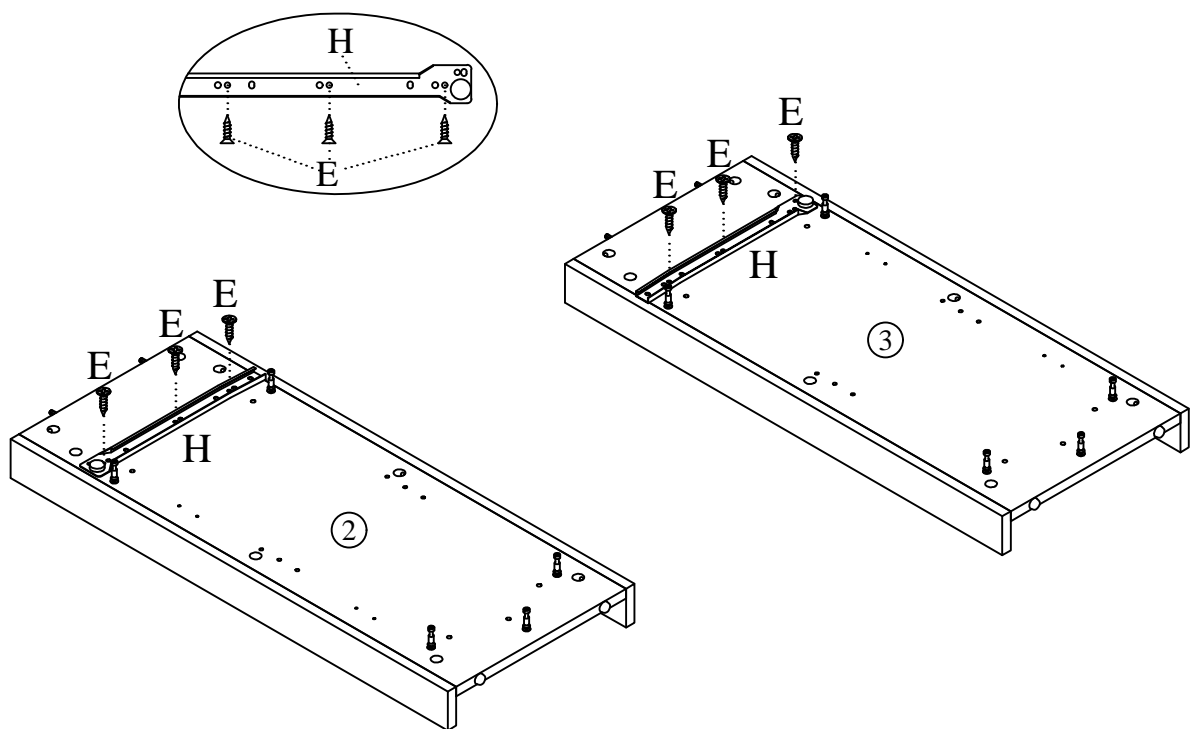
Attach the Left Front & Right Back Post Panel (10) and Left Back & Right Front Post Panel (9) To Left Panel (2) and Right Panel (3) by screwdriver (not provided). **DO NOT** use any power tools as this may damage the frame and will invalidate any claim.



3

E		6
H		1

Fix hardware H with screw E using screwdriver (not provided). **DO NOT** use any power tools as this may damage the frame and will invalidate any claim.



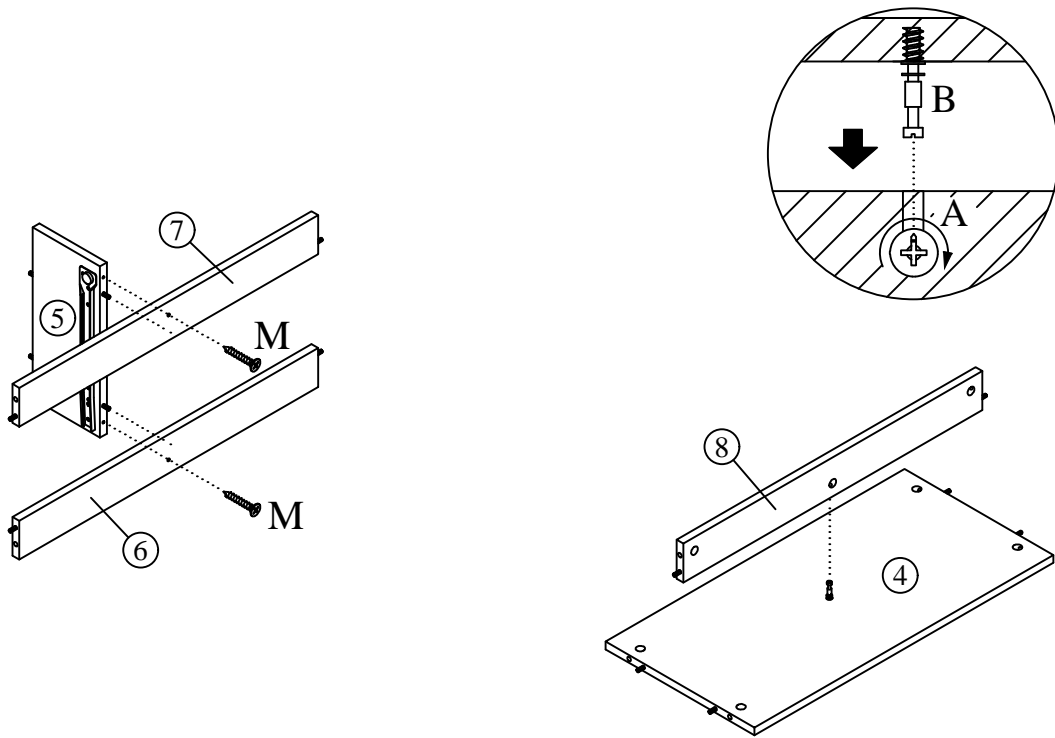
4



Attach the Front and Back Support Panel (6) & (7) To Center Panel (5) using Screw (M) by screwdriver (not provided). Vendor: S000398

Attach the Plinth Panel (8) to Bottom Panel (4) by screwdriver (not provided).

DO NOT use any power tools as this may damage the frame and will invalidate any claim.

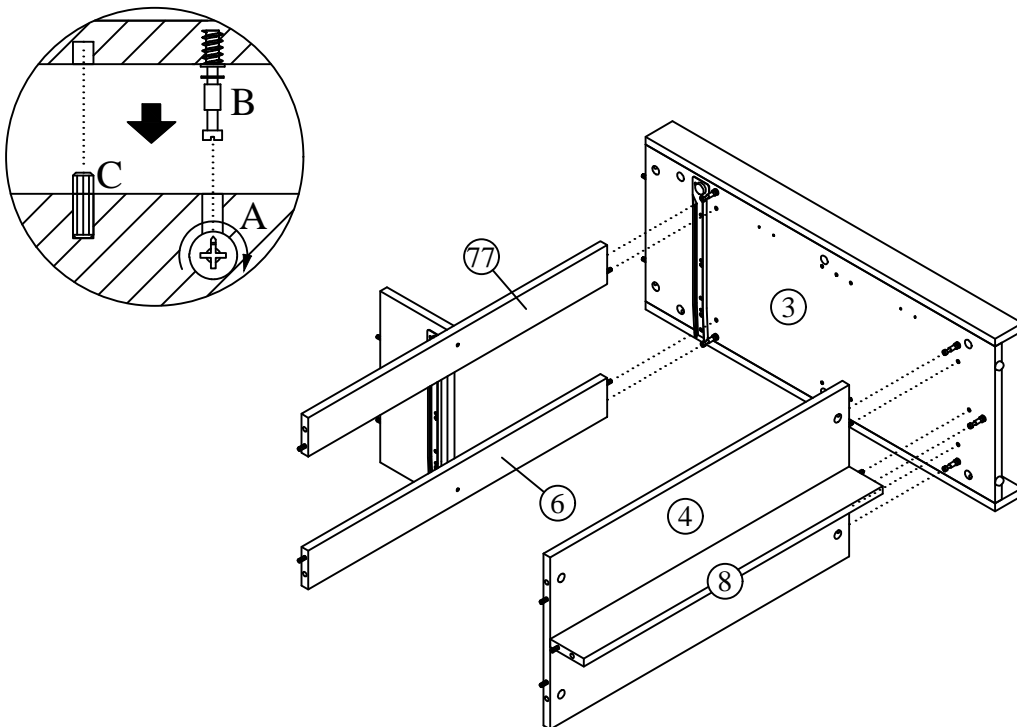


5

Attach the Front and Back Support Panel (6) & (7) to Right Panel (3) by screwdriver (not provided).

Attach the Bottom Panel (4) and Plinth Panel (8) to Right Panel (3) by screwdriver (not provided).

DO NOT use any power tools as this may damage the frame and will invalidate any claim.



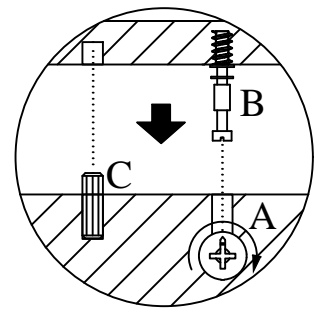
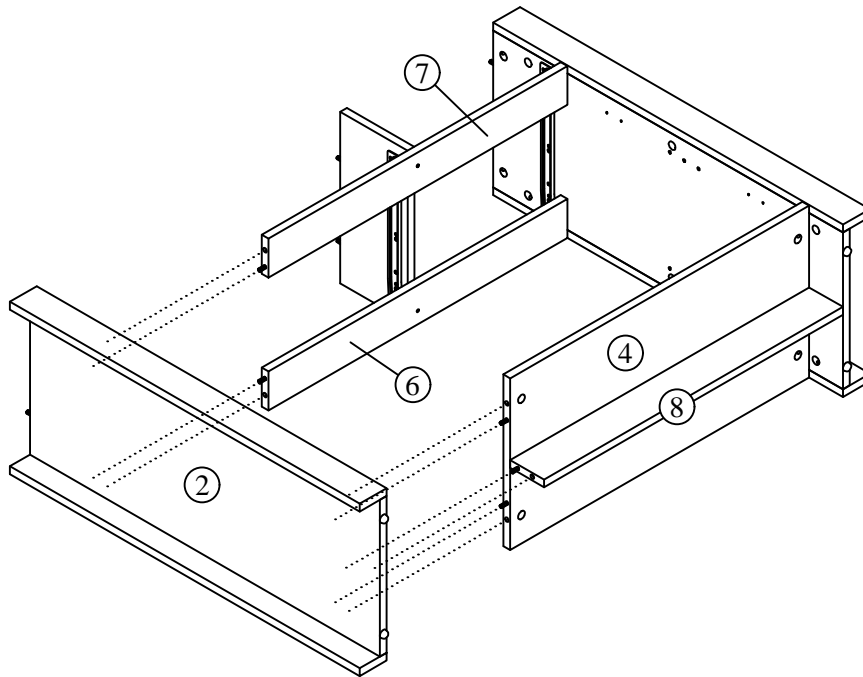
6

Attach the Front and Back Support Panel (6) & (7) to Left Panel (2) by screwdriver (not provided).

Vendor: S000398

Attach the Bottom Panel (4) and Plinth Panel (8) to Left Panel (2) by screwdriver (not provided).

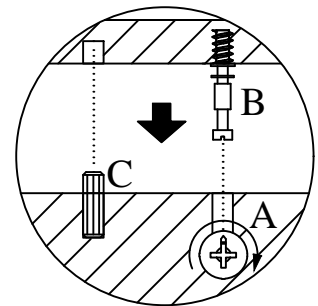
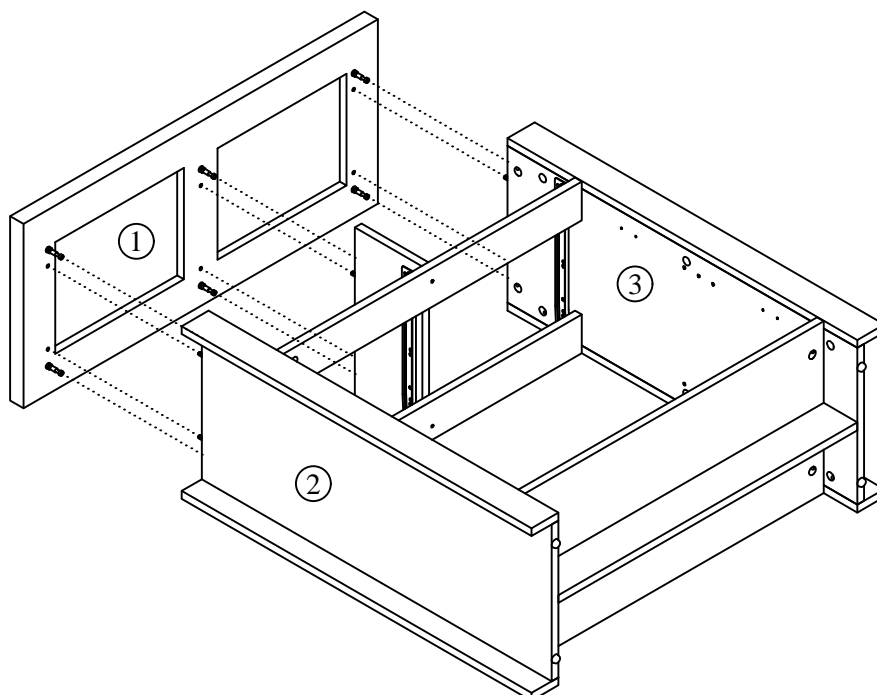
DO NOT use any power tools as this may damage the frame and will invalidate any claim.







7

Attach the Top Panel (1) to Left, Right and Center Panel (2),(3)&(5) by screwdriver (not provided).

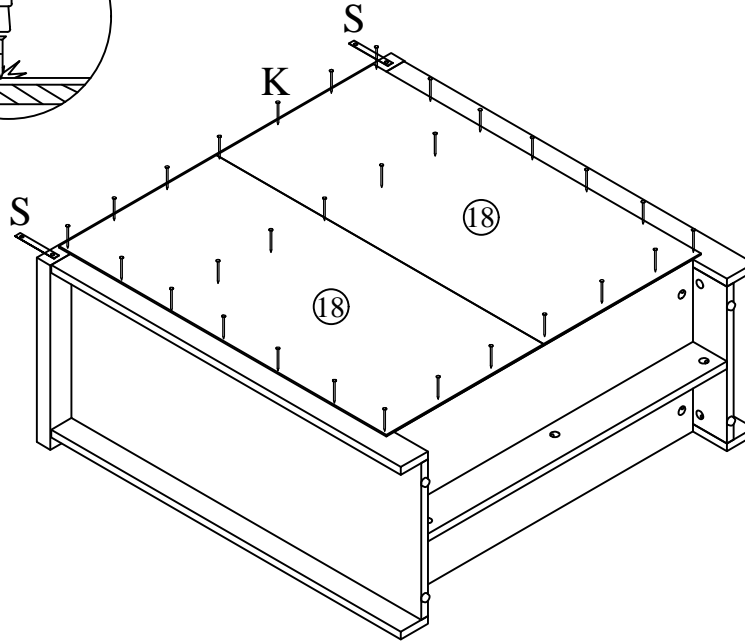
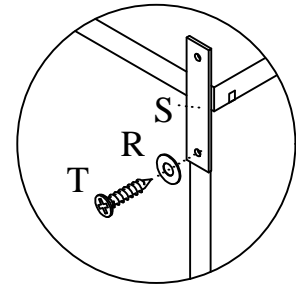
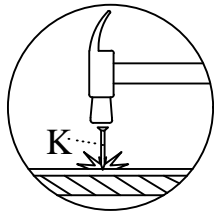
DO NOT use any power tools as this may damage the frame and will invalidate any claim.






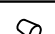
8

K		30
R		2
S		2
T		2

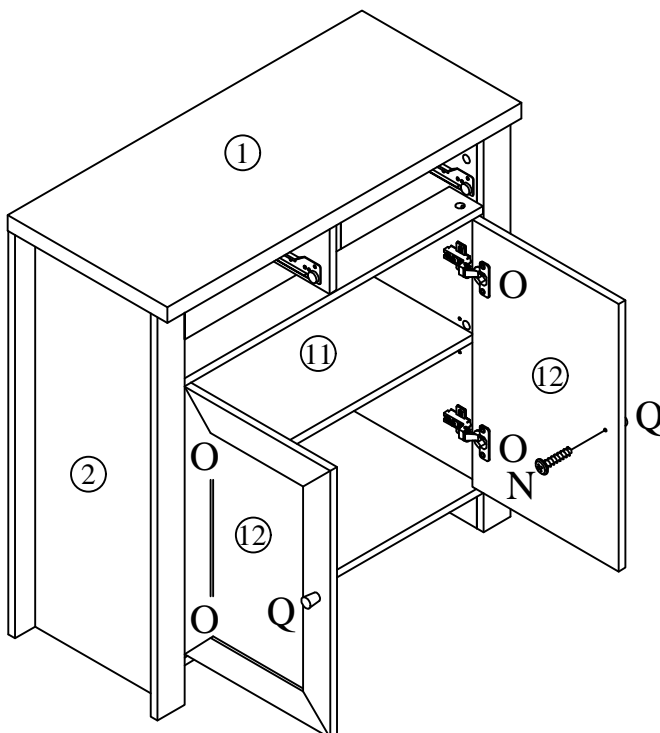
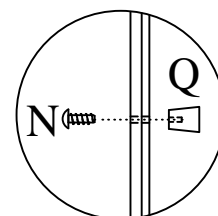
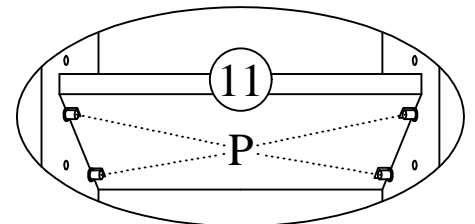
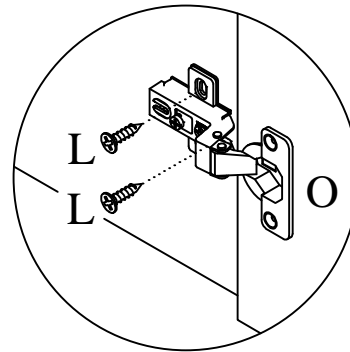
Attach the Back Panel (18) with Nail (K) by small mallet (not provided). Vendor: S000398
 Fix Anti tip strap (S) with washer (R) and Screw (T) To Top Panel (1) by screwdriver (not provided).
DO NOT use any power tools as this may damage the frame and will invalidate any claim.




9

L		8
N		2
P		4
Q		2

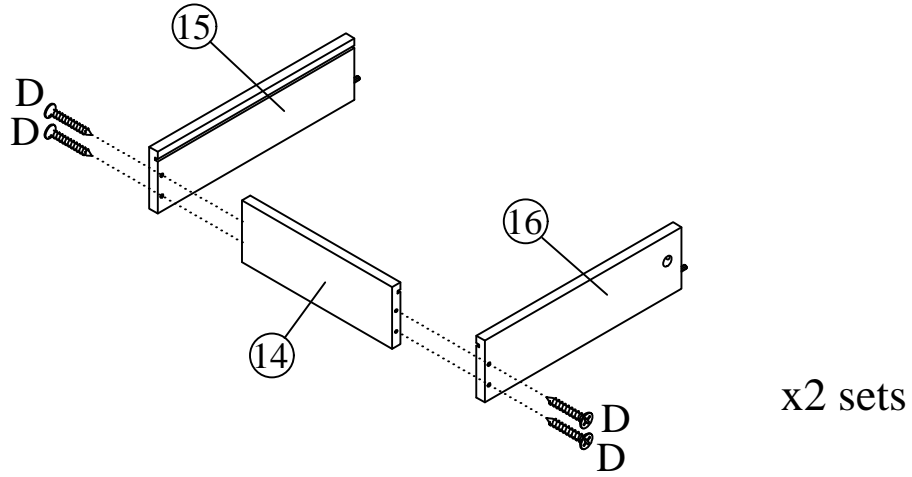
Fix Hinges (O) onto Left and Right Panel (2) & (3) using screw (L) by screwdriver (not provided).
 Fix Metal Shelf Support (P) as shown
 Fix Handle (Q) using screw (N) as shown by screwdriver (not provided).
DO NOT use any power tools as this may damage the frame and will invalidate any claim.





10

D		8
---	---	---

Attach the Drawer Left Panel (15) and Drawer Right Panel (16) to Drawer Back Panel (14) with screw (D) by screwdriver (not provided). DO NOT use any power tools as this may damage the frame and will invalidate any claim. Vendor: S000398

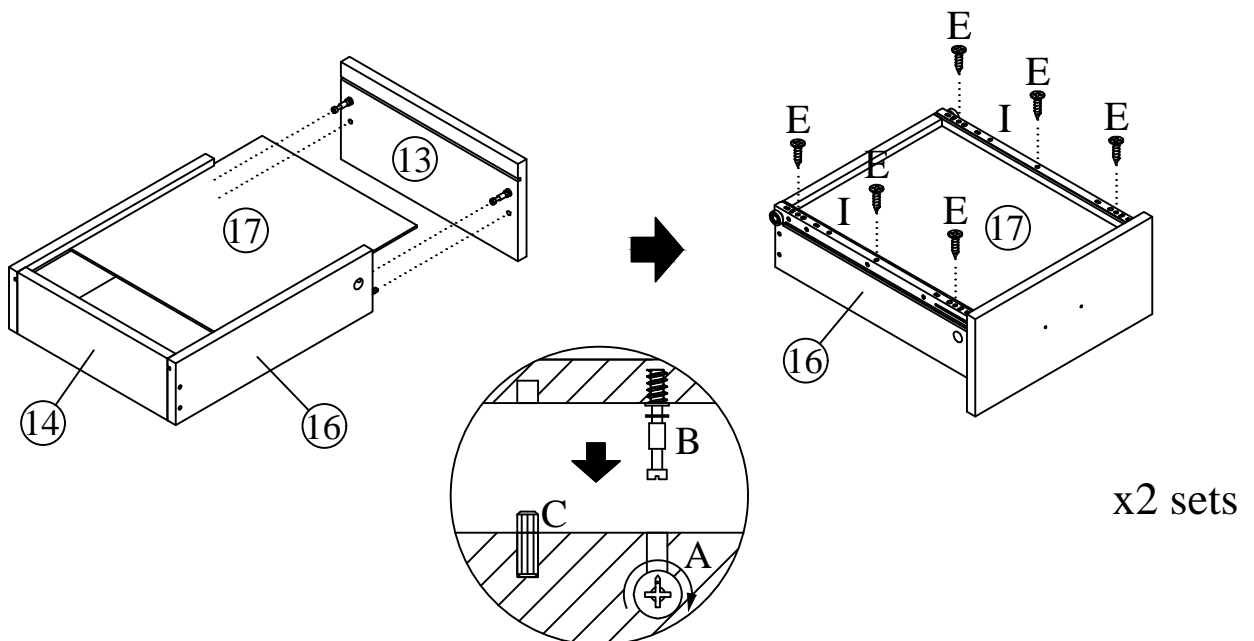


11





E		12
I		2

Insert Drawer Bottom Panel (17) as shown and fix Drawer Front Panel (13) by screwdriver (not provided). Fix hardware (I) onto the Drawer Left Panel (15) and Drawer Right Panel (16) using screw (E) by screwdriver (not provided).

DO NOT use any power tools as this may damage the frame and will invalidate any claim.



12

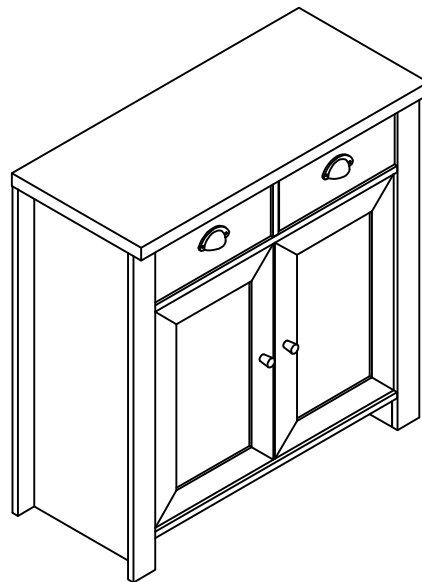
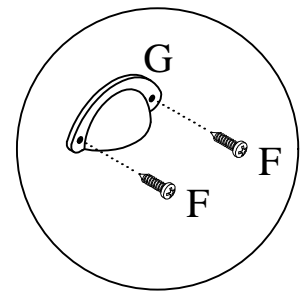
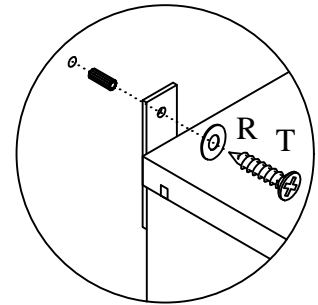
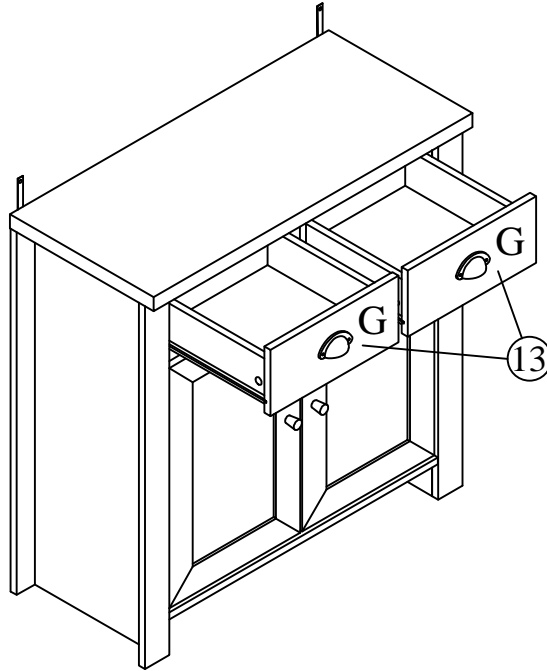
F		4
G		2
R		2
T		2

Fix Handle (G) using screw (F) onto Head of drawer (13) by screwdriver (not provided).

Vendor: S000398

Fix Anti tip strap (S) with washer (R) and Screw (T) To wall by screwdriver (not provided).
 - Make sure it is firmly attached and make sure it is snug fit
 - Seek advice from a qualified trade person on how to attach this safety strap to your specific wall.

DO NOT use any power tools as this may damage the frame and will invalidate any claim.



.Additional Information:

.For complete product information, images and dimension diagrams please visit the website www.birlea.com

.If you have any issues with your item please contact the retailer directly you purchased it from who will be able to resolve any issues with Birlea.

.Why don't you send us photos of your assembled furniture to info@birlea.com to be shared in our #birleahome feature on Instagram.