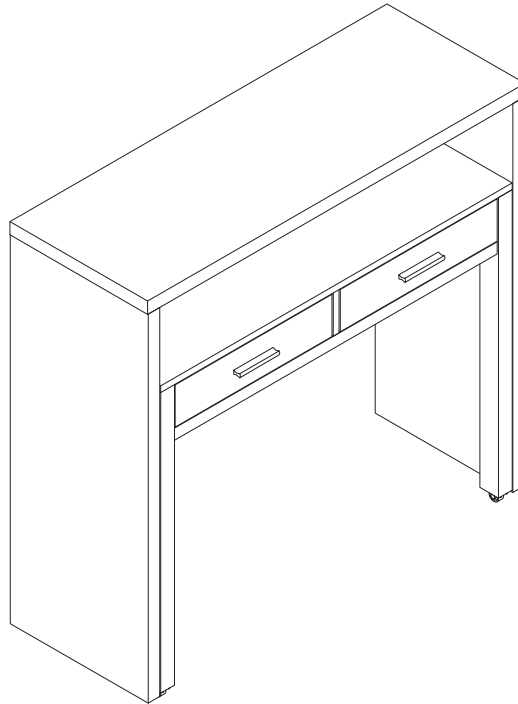


REGIS EXTENDING CONSOLE DESK ASSEMBLY INSTRUCTIONS

Thank you for purchasing the REGIS EXTENDING CONSOLE DESK. Please read the instructions carefully to ensure safe operation of the product.



Size:98.5x36x88cm

Colour:OAK, WHITE, BLACK,GREY

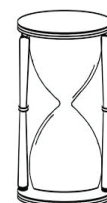
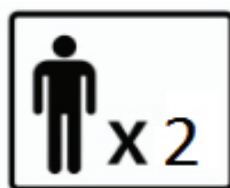
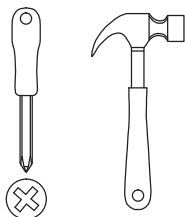
Finish:PAPER VENEER

PLEASE READ this sheet prior to assembly to familiarise yourself with the various stages of construction.

Carefully open the pack supplied and check the contents against the parts and fittings check list. Do not destroy any of the packaging until you are certain that you have all the necessary parts for the assembly.

CAUTION: There are small components used in the construction of this unit. These loose items should be kept away from young children whilst assembling your unit to avoid the danger of choking hazards.

Tools Required



1 Hour
Set Up

REGIS EXTENDING CONSOLE DESK ASSEMBLY INSTRUCTIONS

IMPORTANT - READ CAREFULLY - RETAIN THESE INSTRUCTIONS FOR FUTURE REFERENCE.

INFORMATION

- This product is intended for a maximum weight of 20 kg. Do not exceed this weight.
- Due to the size of this product we recommend that it is assembled in the room intended for use.
- When you are ready to start, make sure that you have the right tools, plenty of space and a clean, dry area for assembly.
- Unwrap all packaging materials and place the components on top of the carton box or on a clean floor to prevent it from scratching.
- Check the pack and make sure you have all the parts listed.
- Ensure that this product is fully assembled as illustrated before use.
- Check all screws or bolts are tightened and inspect regularly.
- This product should only be used on firm, level ground.
- Keep small parts out of reach of children.
- Make sure the legs remain in contact with the ground.
- Tools are not included.

WARNINGS

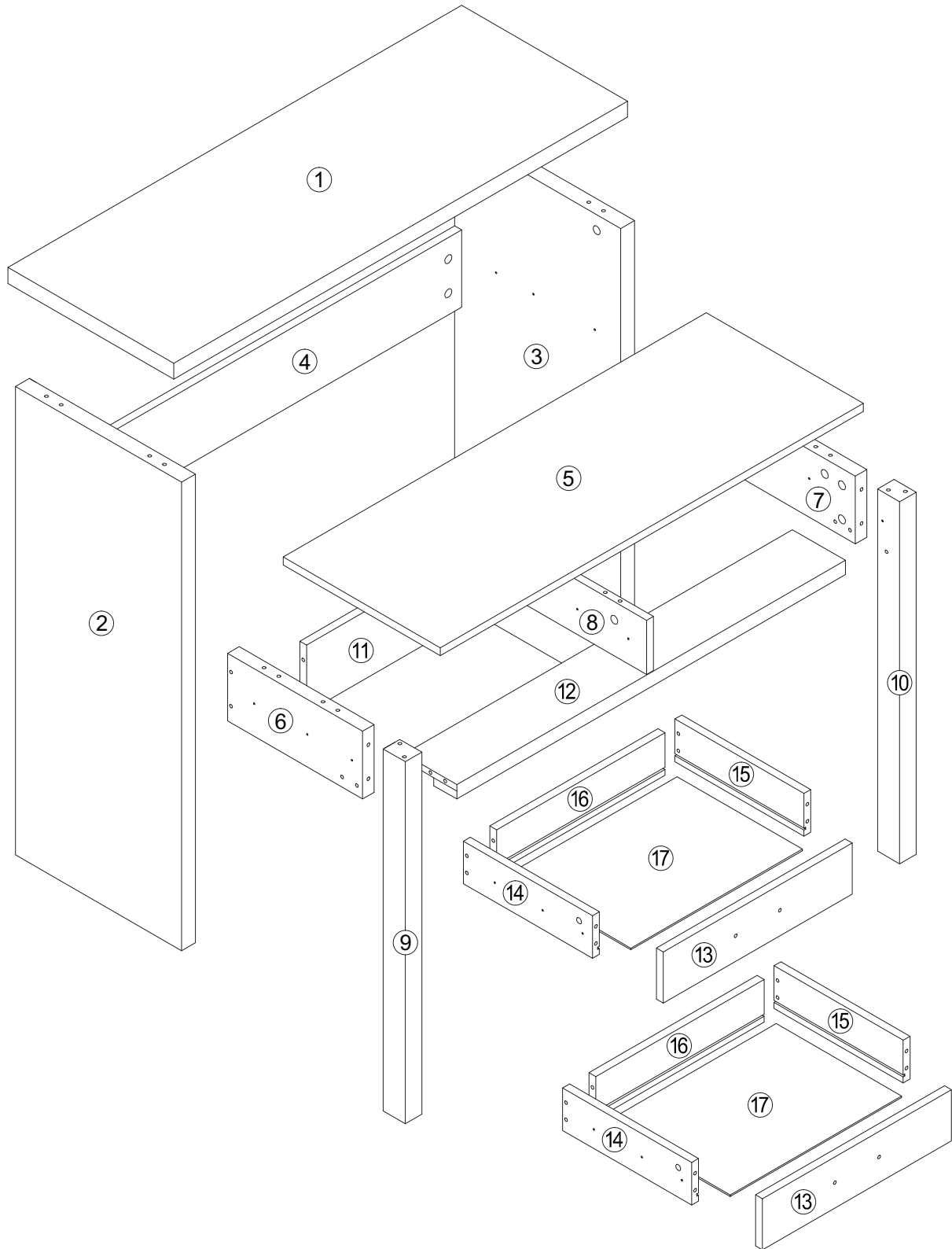
- DO NOT use power tools to construct this product.
- DO NOT tighten screws until fully assembled.
- DO NOT over tighten screws or bolts.
- DO NOT use this product if parts are missing, damaged or worn.
- DO NOT sit or stand on the product.
- We recommend the use of the wall fixings provided for safety reasons.
N.B. If in doubt please consult a qualified tradesperson. **Warning:** Always ensure the area to be drilled is free from hidden electrical wires, water and gas pipes.
- It is essential that this unit is fixed to a wall with the fixings provided.

CARE INFORMATION

- Never use scourers, abrasives or chemical cleaners.
- To clean wipe with a sponge and warm soapy water. Do not use solvent based cleaners or detergents as they can bleach or damage the product

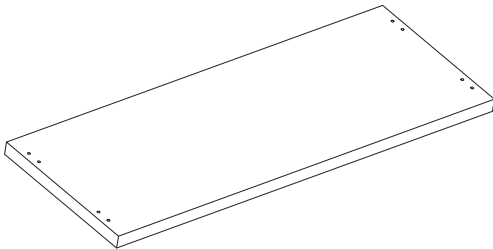
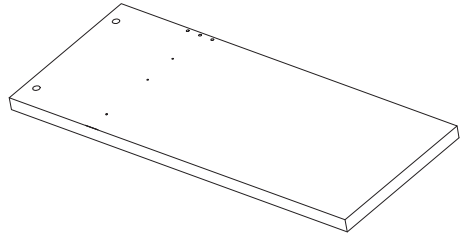
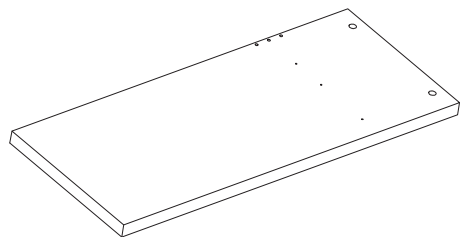
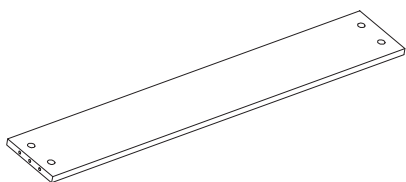
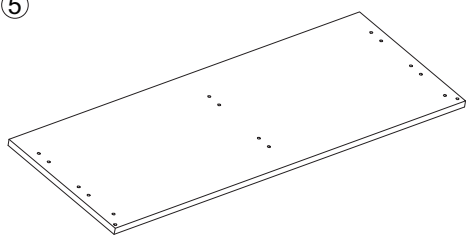
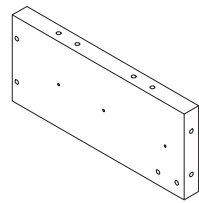
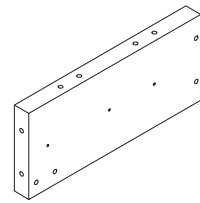
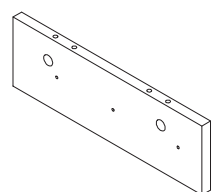
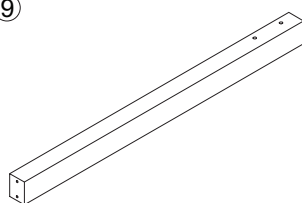
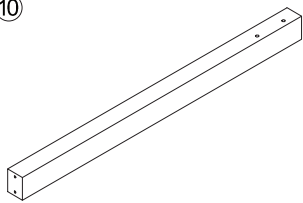
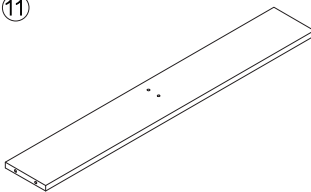
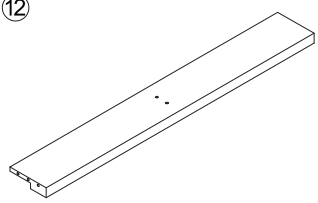
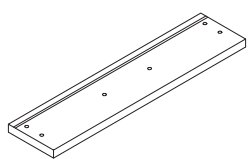
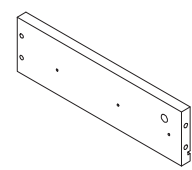
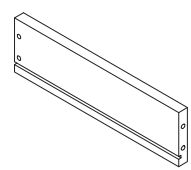
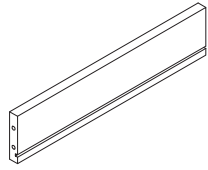
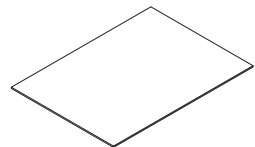
REGIS EXTENDING CONSOLE DESK ASSEMBLY INSTRUCTIONS

Please check the pack contents before assembling this product. If any components are missing, please contact your retailer. The fittings pack contains small items that should be kept away from small children.



REGIS EXTENDING CONSOLE DESK ASSEMBLY INSTRUCTIONS

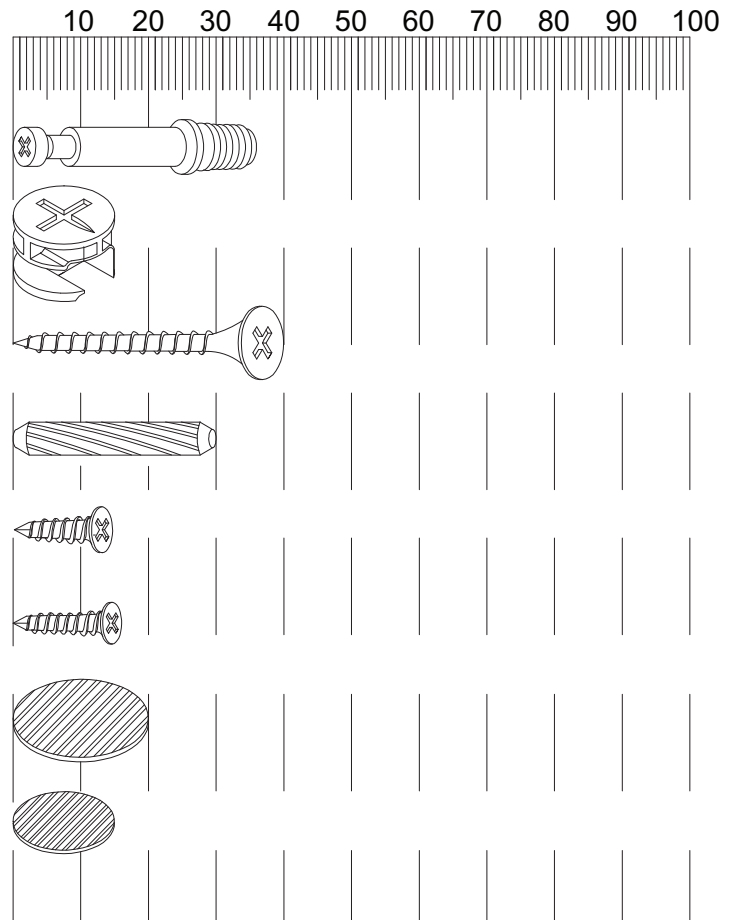
Parts

				
<p>Description: Top Board Qty: 1 PC Carton no: 1 of 1 Size: 985x360x30mm</p>	<p>Description: Left Side Board Qty: 1 PC Carton no: 1 of 1 Size: 845x358x30mm</p>			
				
<p>Description: Right Side Board Qty: 1 PC Carton no: 1 of 1 Size: 845x358x30mm</p>	<p>Description: Back Board Qty: 1 PC Carton no: 1 of 1 Size: 922x145x15mm</p>			
				
<p>Description: Top Board Qty: 1 PC Carton no: 1 of 1 Size: 916x340x15mm</p>	<p>Description: Left Side Board Qty: 1 PC Carton no: 1 of 1 Size: 288x143x27mm</p>	<p>Description: Right Side Board Qty: 1 PC Carton no: 1 of 1 Size: 288x143x27mm</p>	<p>Description: Divide Board Qty: 1 PC Carton no: 1 of 1 Size: 321x120x15mm</p>	
				
<p>Description: Left Leg Qty: 1 PC Carton no: 1 of 1 Size: 687x48x36mm</p>	<p>Description: Right Leg Qty: 1 PC Carton no: 1 of 1 Size: 687x48x36mm</p>	<p>Description: Back Board Qty: 1 PC Carton no: 1 of 1 Size: 842x142x15mm</p>	<p>Description: Support Board Qty: 1 PC Carton no: 1 of 1 Size: 852x115x24mm</p>	
				
<p>Description: Drawer Front Qty: 2 PCS Carton no: 1 of 1 Size: 409x114x15mm</p>	<p>Description: Drawer Side Qty: 2 PCS Carton no: 1 of 1 Size: 295x90x15mm</p>	<p>Description: Drawer Side Qty: 2 PCS Carton no: 1 of 1 Size: 295x90x15mm</p>	<p>Description: Drawer Back Qty: 2 PCS Carton no: 1 of 1 Size: 364x90x15mm</p>	<p>Description: Drawer Bottom Qty: 2 PCS Carton no: 1 of 1 Size: 287x371x2.5mm</p>

REGIS EXTENDING CONSOLE DESK ASSEMBLY INSTRUCTIONS

Fittings(to scale)

Ref	Dimensions	Qty
A	CAM BOLT	22
B	CAM LOCK (Ø15x12mm)	22
C	SCREW (4x40mm)	19
D	DOWEL (6x30mm)	23
E	SCREW (3.5x14mm)	44
H	SCREW (4x16mm)	4
M	STICKER-Ø20mm	4
N	STICKER-Ø15mm	4



(Not to scale)

F	REINFORCE SUPPORT	2	
G	FLAT WHEEL	2	
I	NAIL	4	
J	HANDLE	2	
K	RAIL NOTE: PARTS K1 & K2 ARE SUPPLIED AS 1 PIECE, AND NEED TO BE SEPARATED FOR FITTING	2	
L	RAIL NOTE: PARTS L1 & L2 ARE SUPPLIED AS 1 PIECE, AND NEED TO BE SEPARATED FOR FITTING	4	

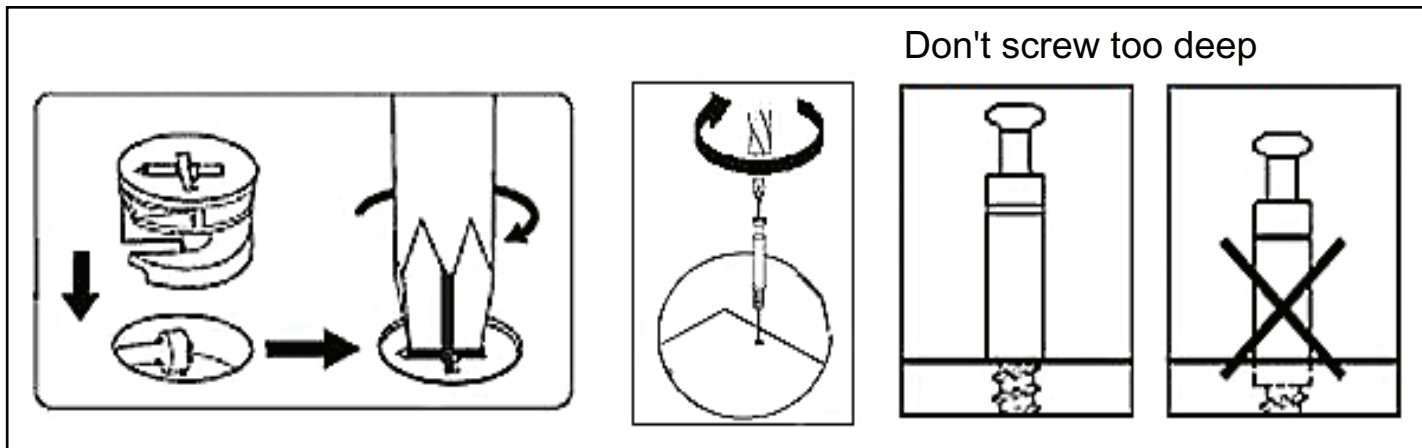
CAUTION: There are many small components used in the construction of this product. Please keep these components away from young children whilst assembling this product.

If you keep the fittings in a bowl during assembly you will be less likely to lose them!

Care instruction: After assembled the rail (K) and rail (L) onto the product, please wipe off the oil that stain on the product.

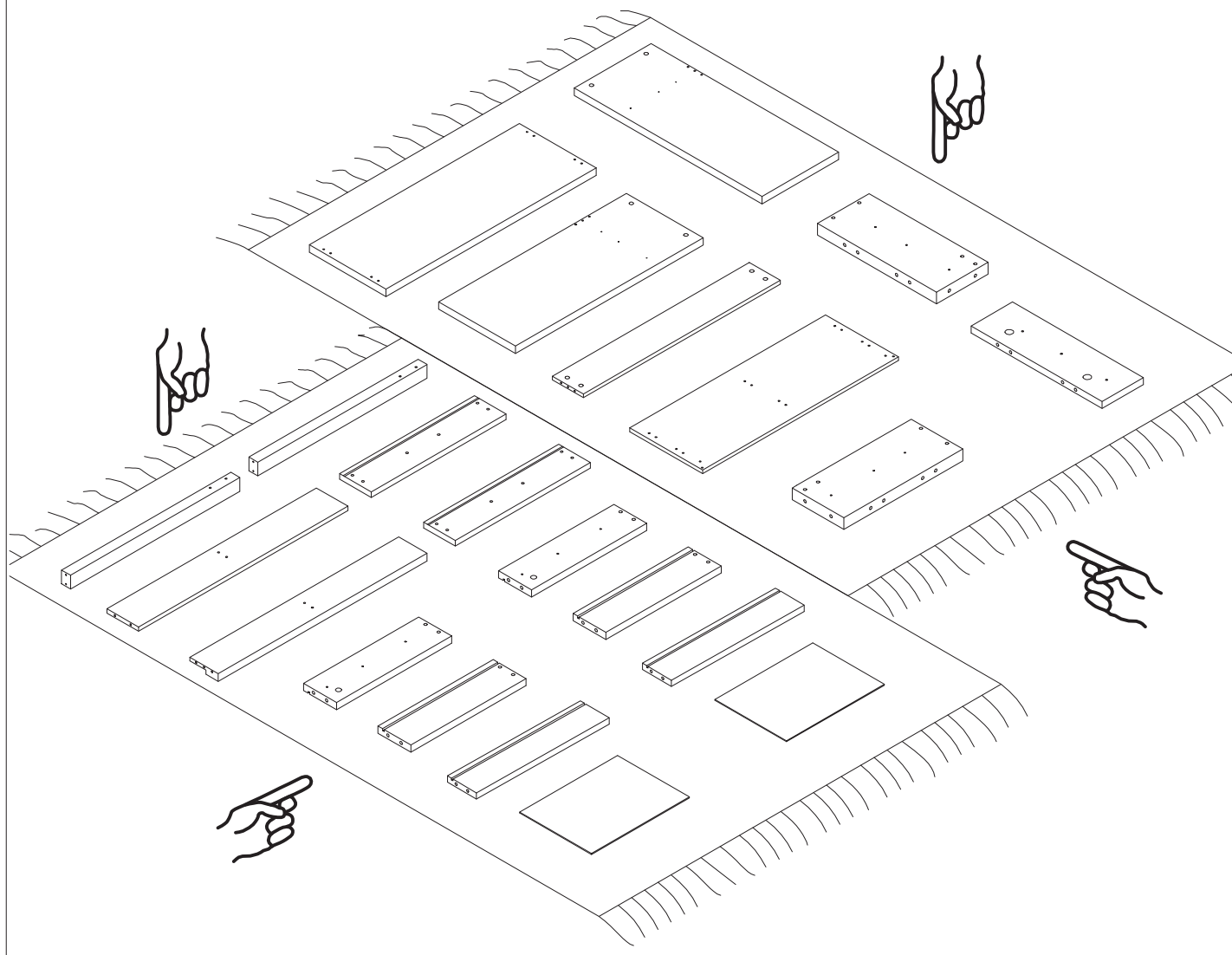
REGIS EXTENDING CONSOLE DESK ASSEMBLY INSTRUCTIONS

Hints & Tips

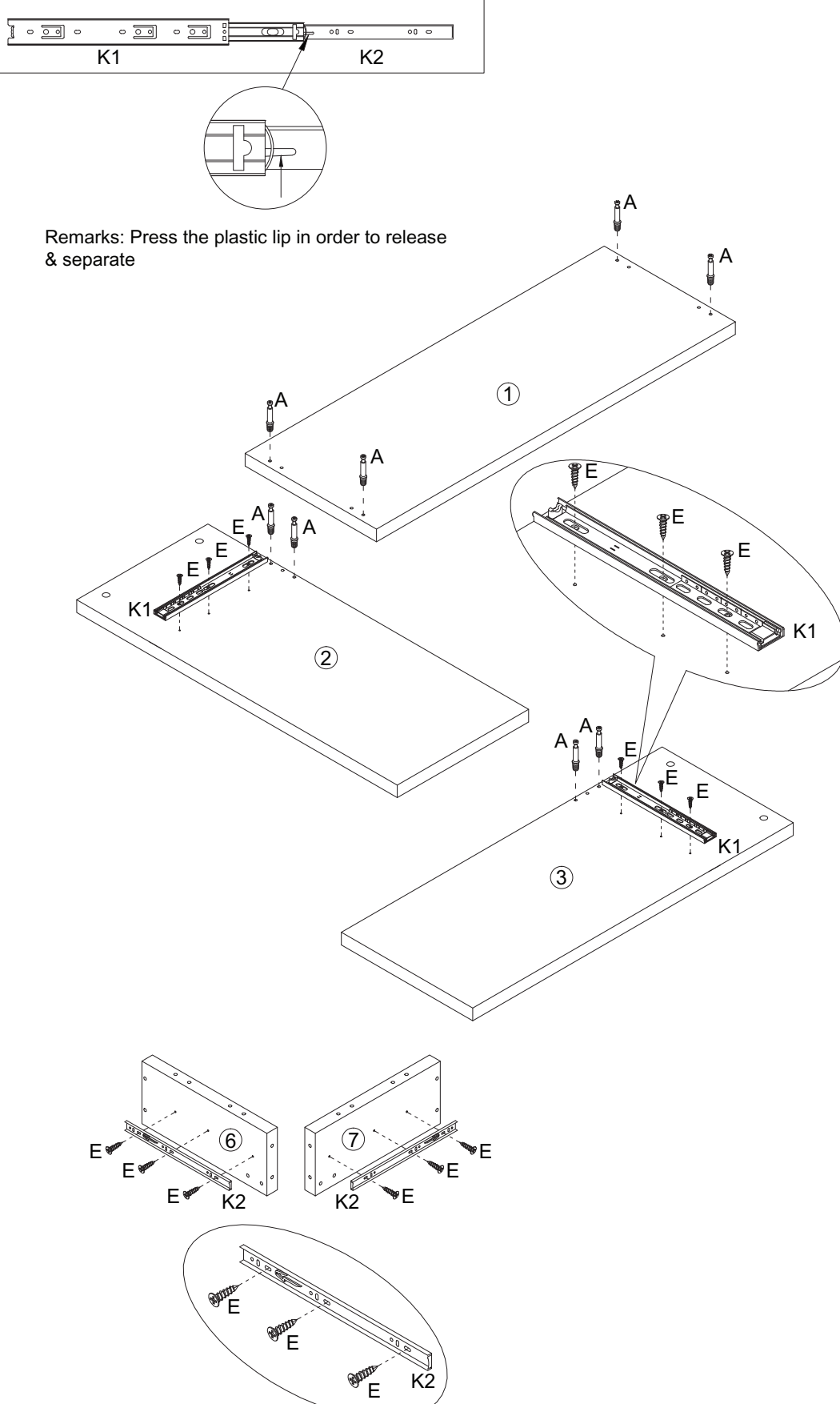


Layout Parts on Soft Surface

Lay out all parts on a soft surface i.e. Rug, Carpet or Packaging Carton



REGIS EXTENDING CONSOLE DESK ASSEMBLY INSTRUCTIONS

STEP 1	Parts Required
 <p>Remarks: Press the plastic lip in order to release & separate</p>	<ul style="list-style-type: none"> 1 TOP BOARD x1 2 LEFT SIDE BOARD x1 3 RIGHT SIDE BOARD x1 6 LEFT SIDE BOARD x1 7 RIGHT SIDE BOARD x1 A CAM BOLT x8 E SCREW x12 K1 RAIL x2 K2 RAIL x2

REGIS EXTENDING CONSOLE DESK ASSEMBLY INSTRUCTIONS

STEP 2	Parts Required
<p>Remarks: Press the plastic lip in order to release & separate</p> <p>Cam locks need to be lined up and pushed completely in before tightening</p> <p>x2</p>	<p>13 DRAWER FRONT x2 14 DRAWER SIDE x2 15 DRAWER SIDE x2 16 DRAWER BACK x2 17 DRAWER BOTTOM x2 A CAM BOLT x4 B CAM LOCK x4 C SCREW x8 D DOWEL x4 E SCREW x12 J HANDLE x2 L2 RAIL x4</p>

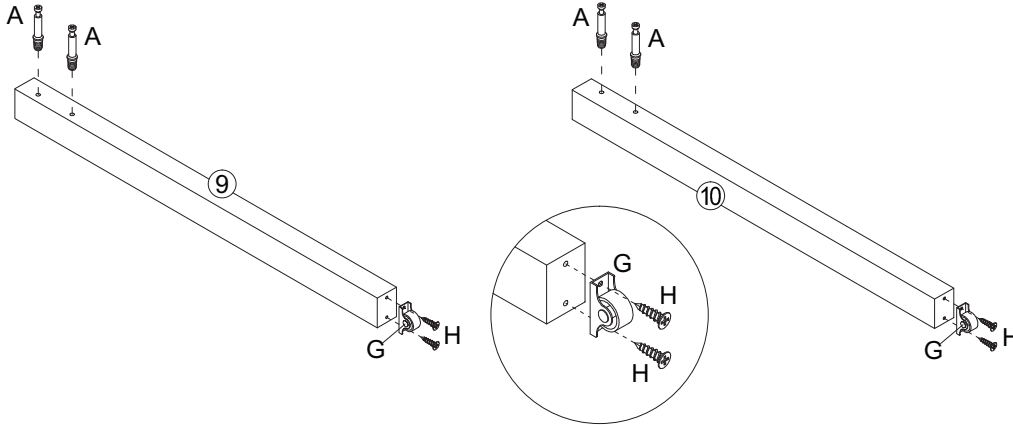
STEP 3	Parts Required
	<p>8 DIVIDE BOARD x1 E SCREW x6 L1 RAIL x2</p>

REGIS EXTENDING CONSOLE DESK ASSEMBLY INSTRUCTIONS

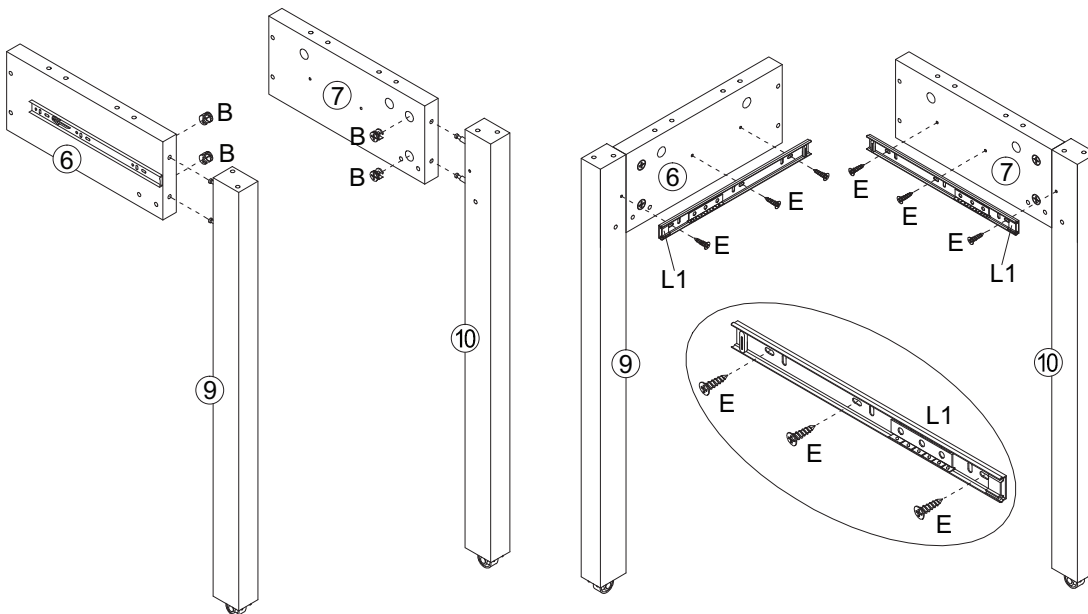
STEP 4

Parts Required

- 6 LEFT SIDE BOARD x1
- 7 RIGHT SIDE BOARD x1
- 9 LEFT LEG x1
- 10 RIGHT LEG x1
- A CAM BOLT x4
- B CAM LOCK x4
- E SCREW x6
- G FLAT WHEEL x2
- H SCREW x4
- L1 RAIL x2



Cam locks need to be lined up and pushed completely in before tightening



REGIS EXTENDING CONSOLE DESK ASSEMBLY INSTRUCTIONS

STEP 5	Parts Required
<p>Cam locks need to be lined up and pushed completely in before tightening</p>	<ul style="list-style-type: none"> 2 LEFT SIDE BOARD x1 3 RIGHT SIDE BOARD x1 4 BACK BOARD x1 B CAM LOCK x4 D DOWEL x2 I NAIL x4

STEP 6	Parts Required
<p>Cam locks need to be lined up and pushed completely in before tightening</p>	<ul style="list-style-type: none"> 1 TOP BOARD x1 B CAM LOCK x4 D DOWEL x4 M STICKER x4

REGIS EXTENDING CONSOLE DESK ASSEMBLY INSTRUCTIONS

STEP 7	Parts Required
<p>The diagram illustrates the assembly of the desk frame. Part 8 (Divide Board) is attached to Part 11 (Back Board) with screws (C). Part 12 (Support Board) is attached to Part 9 (Main Frame) with screws (C) and dowels (D). Part 10 (Extension Board) is attached to Part 9 with screws (C) and stickers (N).</p>	<ul style="list-style-type: none"> 8 DIVIDE BOARD x1 11 BACK BOARD x1 12 SUPPORT BOARD x1 C SCREW x11 D DOWEL x3 N STICKER x4

STEP 8	Parts Required
<p>The diagram illustrates the final assembly of the desk frame. Part 9 (Main Frame) is attached to Part 10 (Extension Board) with screws (E). Part 12 (Support Board) is attached to Part 9 with screws (E). A circular inset shows the attachment of Part F (Reinforce Support) to Part 9 with screws (E).</p>	<ul style="list-style-type: none"> E SCREW x8 F REINFORCE SUPPORT x2

REGIS EXTENDING CONSOLE DESK ASSEMBLY INSTRUCTIONS

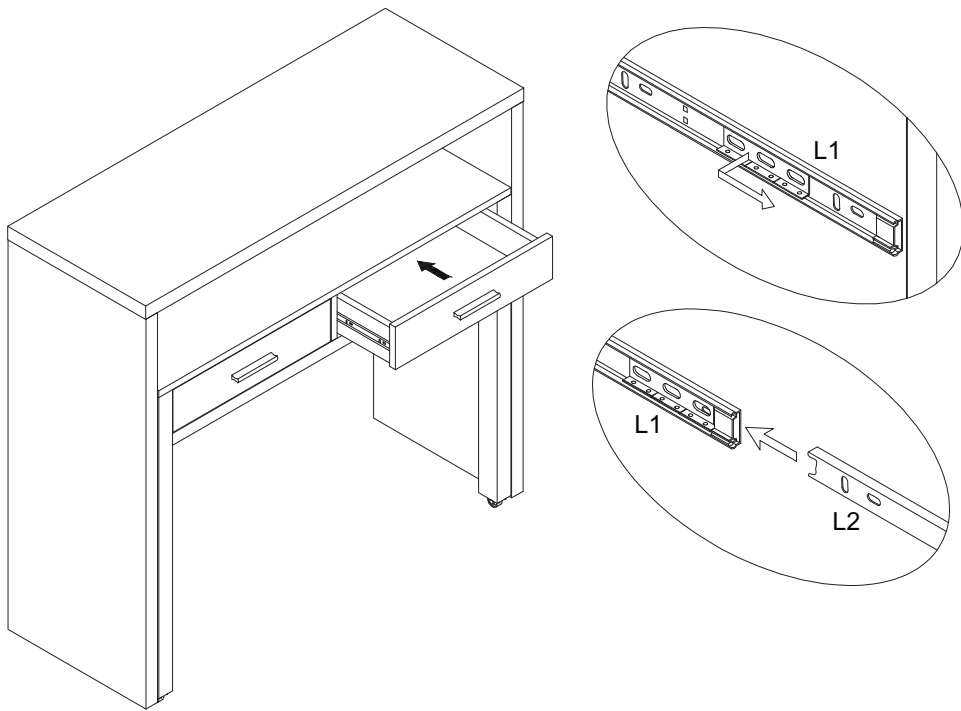
STEP 9	Parts Required
<p>Cam locks need to be lined up and pushed completely in before tightening</p>	<p>5 TOP BOARD x1 A CAM BOLT x6 B CAM LOCK x6 D DOWEL x10</p>

STEP 10	Parts Required

REGIS EXTENDING CONSOLE DESK ASSEMBLY INSTRUCTIONS

STEP 11

Parts Required

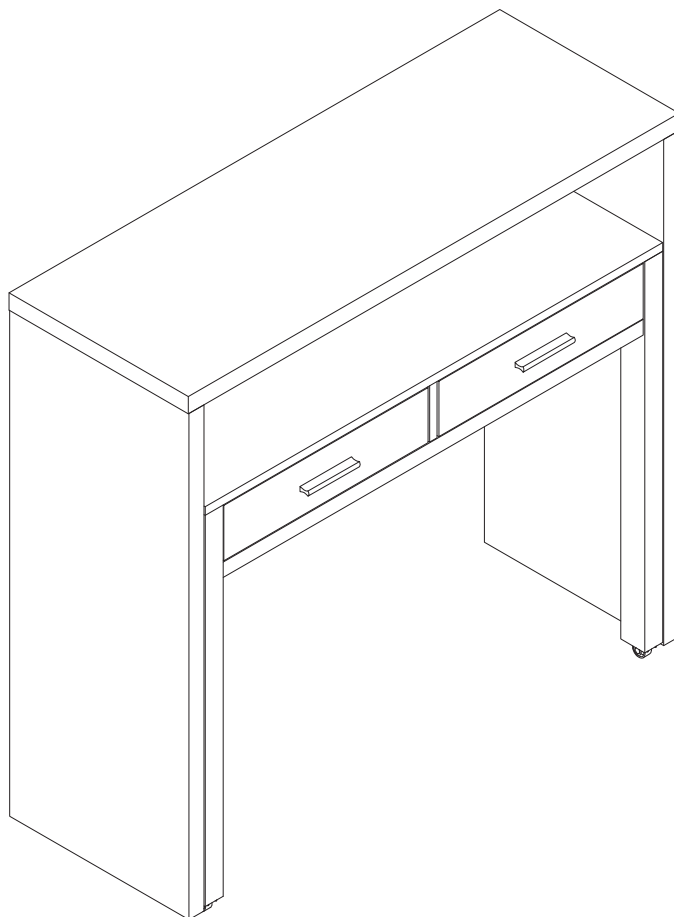


REGIS EXTENDING CONSOLE DESK ASSEMBLY INSTRUCTIONS

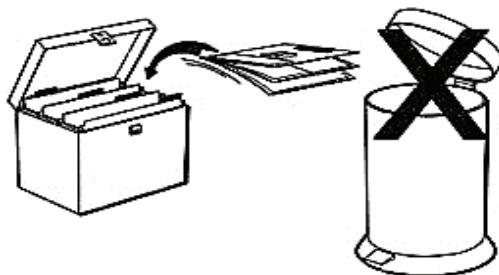
Complete Assembly

Your REGIS EXTENDING CONSOLE DESK is now completely assembled.

Periodically check to ensure that the components are in their proper position, free from damage. Also, make sure the connectors are tight and secure.



Keep instructions for future reference.

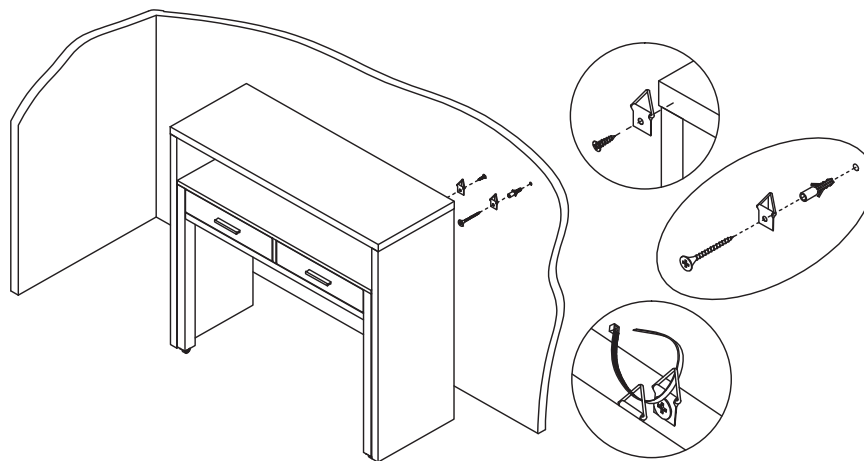


FURNITURE TIPPING RESTRAINT

Young children may be injured by tipping furniture and the use of a tipping restraint is highly recommended.

This hardware, when properly installed, could provide protection against the unexpected tipping of furniture due to improper use.

WARNING: This product is only a deterrent. It is not a substitute for proper adult supervision.



Installation instruction:

1. Please ensure the anti-tipping hardware provided is suitable for your wall or else it might damage your wall during installation.
2. Attach one of the mounting brackets securely to the back edge of the furniture. Use the shorter screw.
3. Determine where furniture is to be placed and mark location on the wall for the mounting bracket screw hole the bracket mounted to the edge of the furniture.
4. Drill a 3/16" hole in the wall. Press the plastic anchor into the hole and gently tap until the flange on the anchor is against the wall surface.
5. Position the bracket over the anchor and use the longer screw to securely attach the bracket to the wall.
6. Place the furniture so the bracket on the back edge is in line with the bracket on the wall.
7. Lace an end of the restraint strap down through each bracket. Bring both ends together and slide the beaded end of the strap through the keyhole shaped slot in the other end until snug. Pull down on the beaded end until it snap locks into the keyhole slot.
8. To double lock return the beaded end back through the keyhole as shown.
9. Check to make sure the strap is securely laced and locked to the brackets.