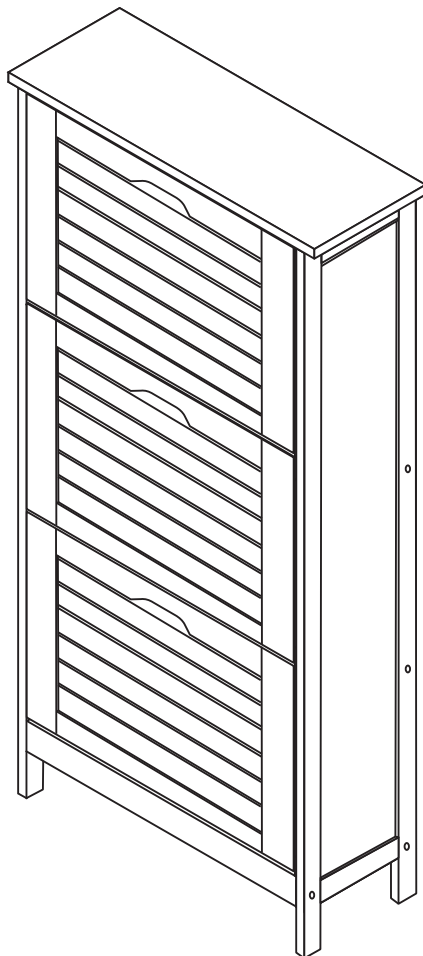


BERGEN THREE TIER SHOE CABINET ASSEMBLY INSTRUCTIONS

Thank you for purchasing the **BERGEN THREE TIER SHOE CABINET**. Please read the instructions carefully to ensure safe operation of the product.



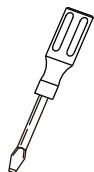
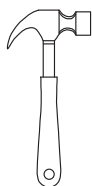
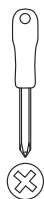
Size:W530xD180xH108.5cm
Colour:WHITE/GREY

PLEASE READ this sheet prior to assembly to familiarise yourself with the various stages of construction.

Carefully open the pack supplied and check the contents against the parts and fittings check list. Do not destroy any of the packaging until you are certain that you have all the necessary parts for the assembly.

CAUTION: There are small components used in the construction of this unit. These loose items should be kept away from young children whilst assembling your unit to avoid the danger of choking hazards.

Tools Required



2 Person Build

BERGEN THREE TIER SHOE CABINET ASSEMBLY INSTRUCTIONS

IMPORTANT - READ CAREFULLY - RETAIN THESE INSTRUCTIONS FOR FUTURE REFERENCE.

INFORMATION

- The product is intended for a maximum load of 15 kg spread evenly thorough the storage compartments . Do not exceed this weight .
- Due to the size of this product we recommend that it is assembled in the room intended for use.
- When you are ready to start, make sure that you have the right tools, plenty of space and a clean, dry area for assembly.
- Unwrap all packaging materials and place the components on top of the carton box or on a clean floor to prevent it from scratching.
- Check the pack and make sure you have all the parts listed.
- Ensure that this product is fully assembled and secured as illustrated before use.
- Check all screws or bolts are tightened and inspect regularly.
- This product should only be used on firm, level ground.
- Keep small parts out of reach of children.
- Make sure the legs remain in contact with the ground.
- Tools are not included.

WARNINGS

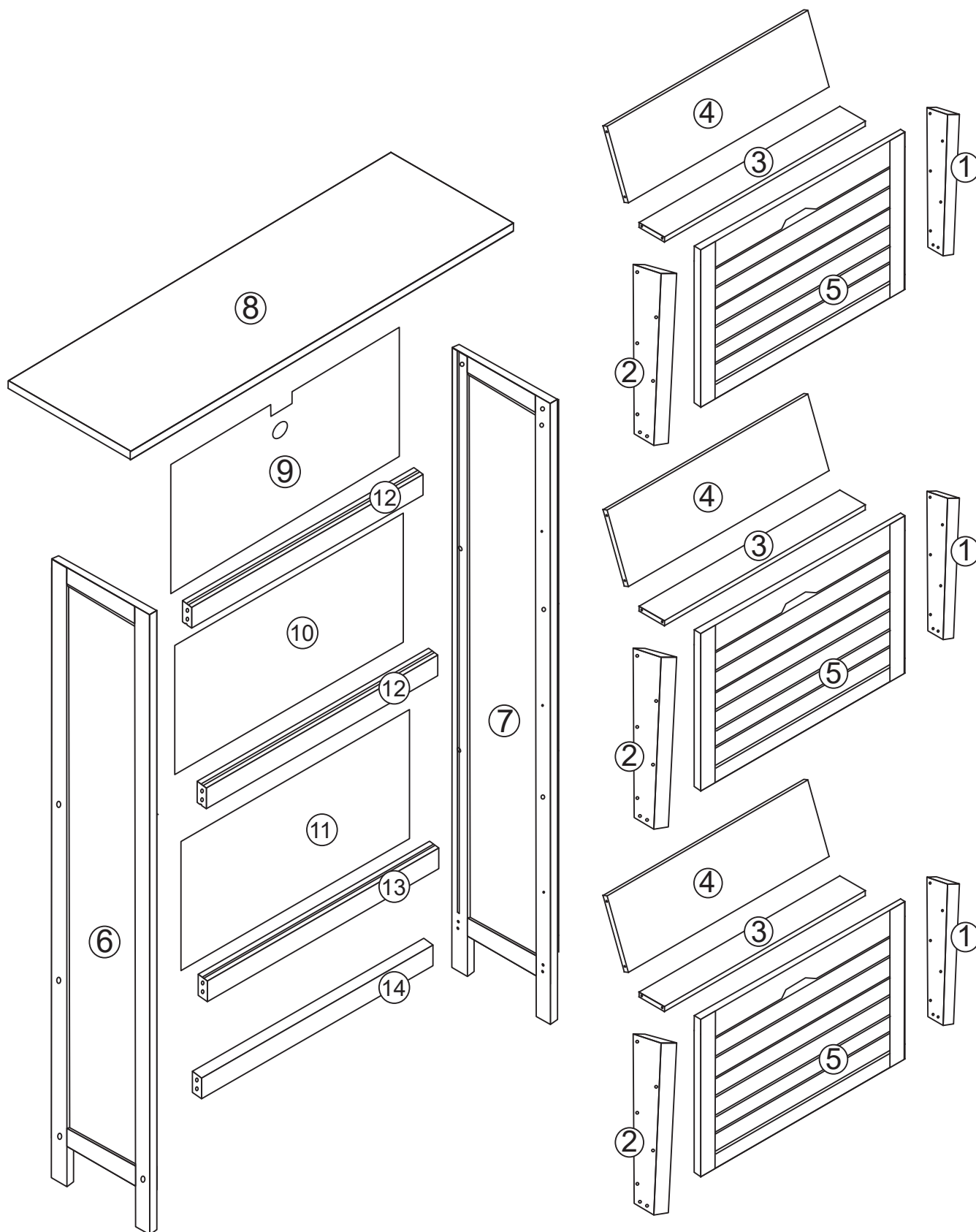
- DO NOT use power tools to construct this product.
- DO NOT tighten screws until fully assembled.
- DO NOT over tighten screws or bolts.
- DO NOT use this product if parts are missing, damaged or worn.
- DO NOT sit or stand on the product.
- It is essential that this unit is fixed to a wall with the fixings provided.
- We recommend the use of the wall fixing provided for safety reasons. N.B. if in doubt pls consult a qualified tradesperson. **Warning:** Always ensure the area to be drilled is free from hidden electrical wires, water and gas pipes.

CARE INFORMATION

- Never use scourers, abrasives or chemical cleaners.
- To clean wipe with a sponge and warm soapy water. Do not use solvent based cleaners or detergents as they can bleach or damage the product.

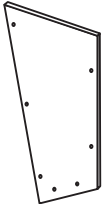
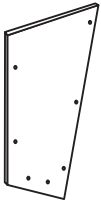


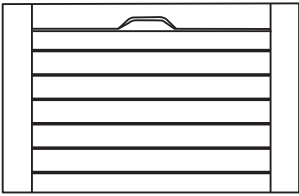
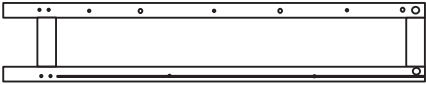
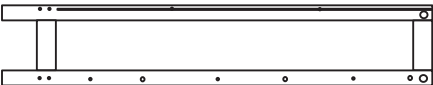
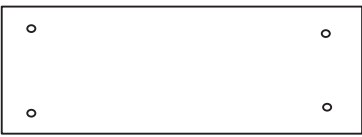
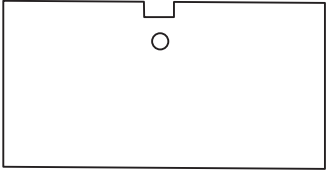
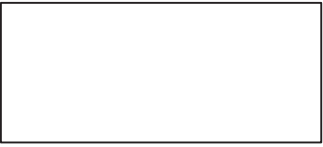
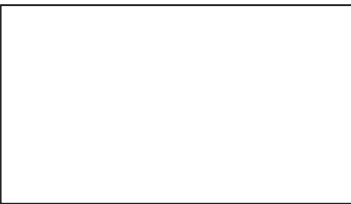


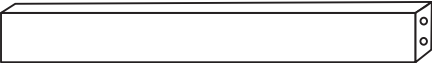
BERGEN THREE TIER SHOE CABINET ASSEMBLY INSTRUCTIONS

Please check the pack contents before assembling the product. If any components are missing, please contact your retailer. The fittings pack contains small items that should be kept away from small children.



BERGEN THREE TIER SHOE CABINET ASSEMBLY INSTRUCTIONS

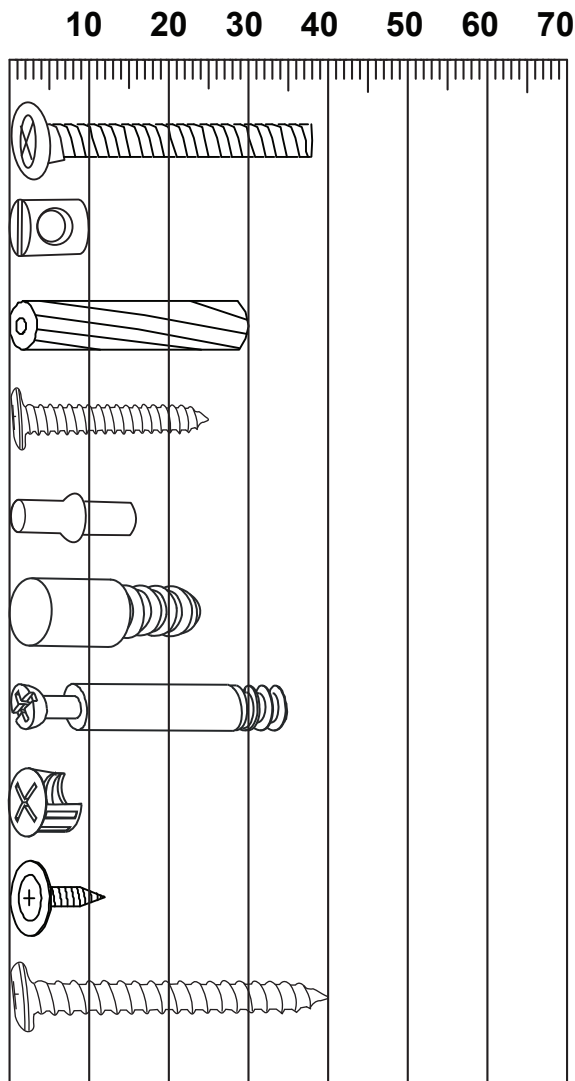
PARTS

<p>1</p> 	<p>2</p> 	<p>3</p> 
<p>Description: RIGHT DRAWER BRACKET QTY:3pcs Dimension:236x158x9mm</p>	<p>Description:LEFT DRAWER BRACKET QTY:3pcs Dimension:236x158x9mm</p>	<p>Description:DRAWER BOTTOM PANEL QTY:3pcs Dimension:450x65x9mm</p>
<p>4</p> 	<p>5</p> 	<p>6</p> 
<p>Description:DRAWER BACK PANEL QTY:3pcs Dimension:450x130x9mm</p>	<p>Description:DRAWER FRONT PANEL QTY:3pcs Dimension:470x320x15mm</p>	<p>Description:LEFT SIDE PANEL QTY:1pc Dimension:1070x176x14mm</p>
<p>7</p> 	<p>8</p> 	<p>9</p> 
<p>Description:RIGHT SIDE PANEL QTY:1pc Dimension:1070x176x14mm</p>	<p>Description:TOP PANEL QTY:1pc Dimension:530x181x15mm</p>	<p>Description:BACK PANEL QTY:1pc Dimension:438x314x3mm</p>
<p>10</p> 	<p>11</p> 	<p>12</p> 
<p>Description:BACK PANEL QTY:1pc Dimension:438x314x3mm</p>	<p>Description:BACK PANEL QTY:1pc Dimension:438x365x3mm</p>	<p>Description:SUPPORT PANEL QTY:2pcs Dimension:472x30x15mm</p>
<p>13</p> 	<p>14</p> 	
<p>Description:SUPPORT PANEL QTY:1pc Dimension:472x35x15mm</p>	<p>Description:SUPPORT PANEL QTY:1pc Dimension:472x30x14mm</p>	

BERGEN THREE TIER SHOE CABINET ASSEMBLY INSTRUCTIONS

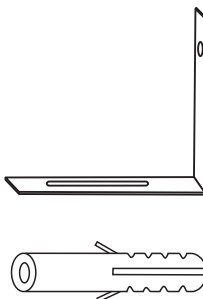
Fixings

Ref	Dimensions	Qty
A	BOLT ø5x38mm	8
B	BARREL NUT ø7x10mm	8
C	DOWEL ø6x30mm	8
D	SCREWS ø3x25mm	36
E	DOOR AXIS ø5x 16 mm	6
F	DOOR STOPPER ø12x24mm	6
G	CAM BOLT ø6x35mm	4
H	CAM LOCK ø15x9mm	4
J	SCREWS ø3x12mm	1
L	SCREWS ø4x40mm	1



Fixings (Not to scale)

I	WALL STRAP ø50x70 mm	1
K	WALL ANCHOR	1



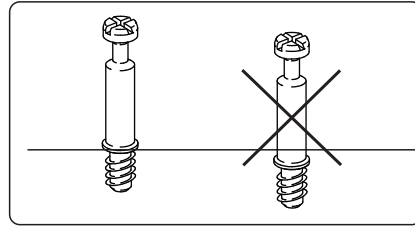
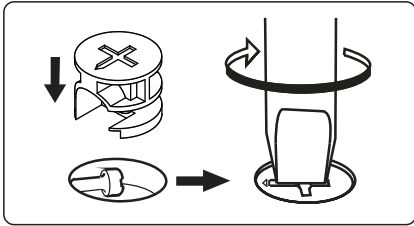
CAUTION: There are many small components used in the construction of this product. Please keep these components away from young children whilst assembling this product .

If you keep the fittings in a bowl during assembly you will be less likely to lose them!

BERGEN THREE TIER SHOE CABINET ASSEMBLY INSTRUCTIONS

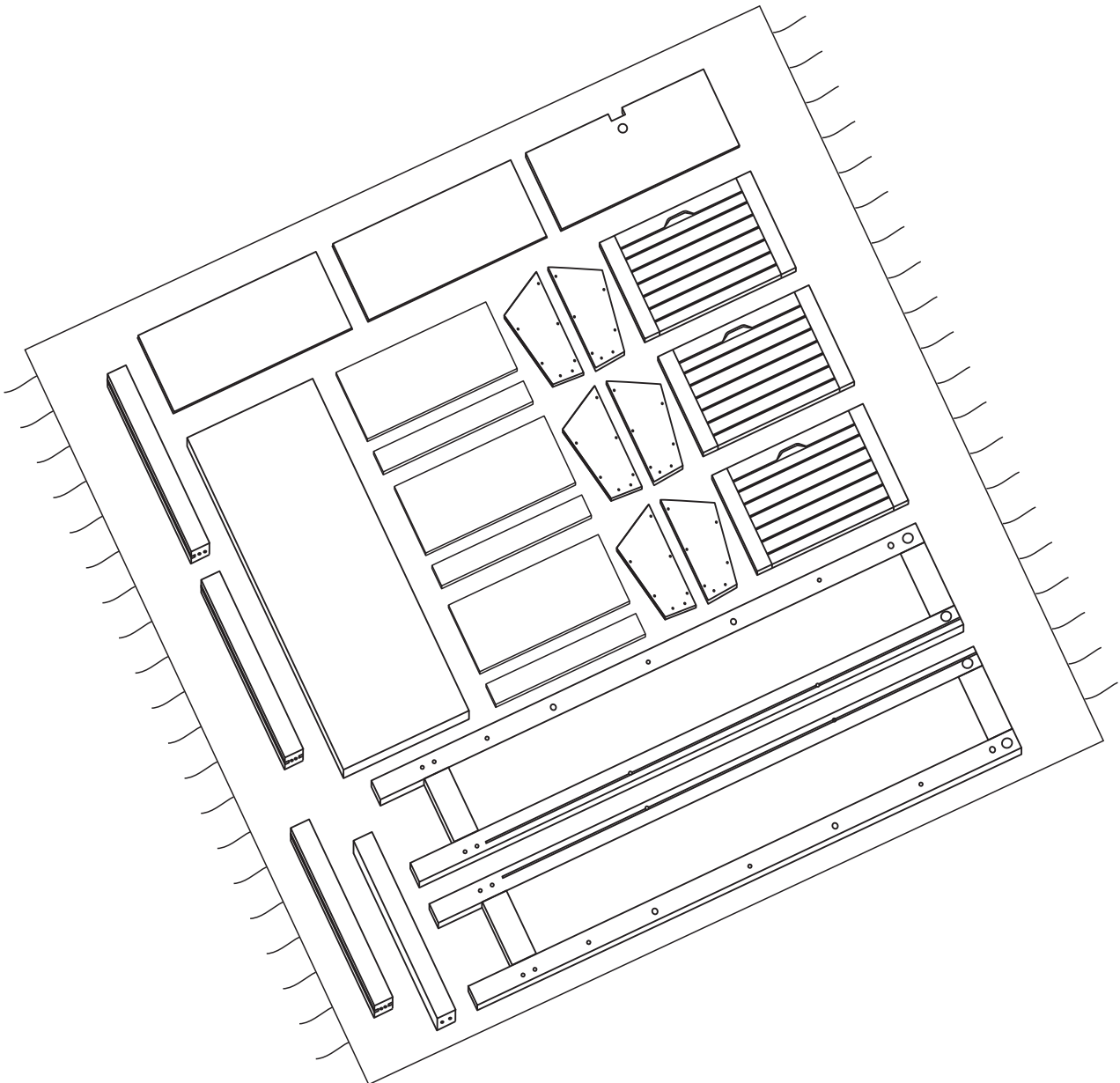
General Hints and Tips

Don't screw too deep



Layout Parts on Soft Surface

Layout all part on a soft surface i.e. Rug, carpet or packaging carton



BERGEN THREE TIER SHOE CABINET ASSEMBLY INSTRUCTIONS

STEP 1	PARTS REQUIRED
	<p>1: Right Drawer Bracket x3 2: Left Drawer Bracket x3 3: Drawer Bottom Panel x3 4: Drawer Back Panel x3 5: Drawer Front Panel x3</p> <p>D: Screws x12 E: Door Axis x6</p>

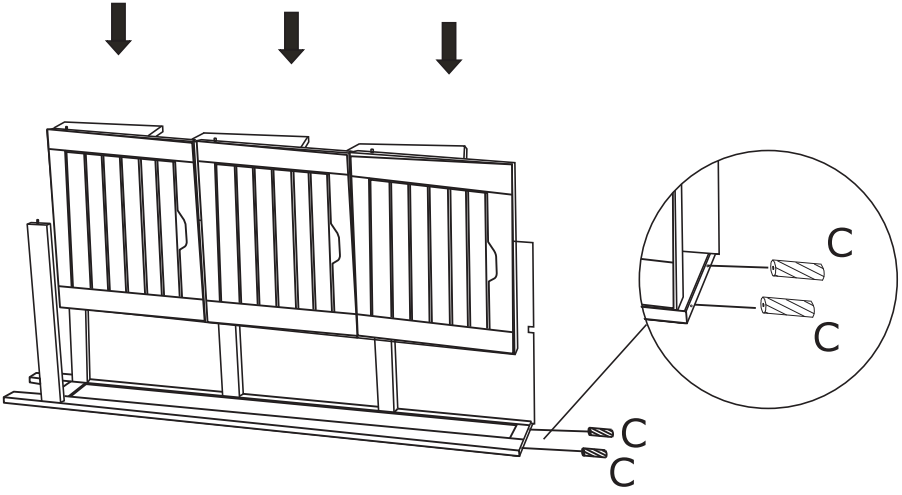
STEP 2	PARTS REQUIRED
	<p>3: Drawer Bottom Panel x3 4: Drawer Back Panel x3</p> <p>D: Screws x24</p>

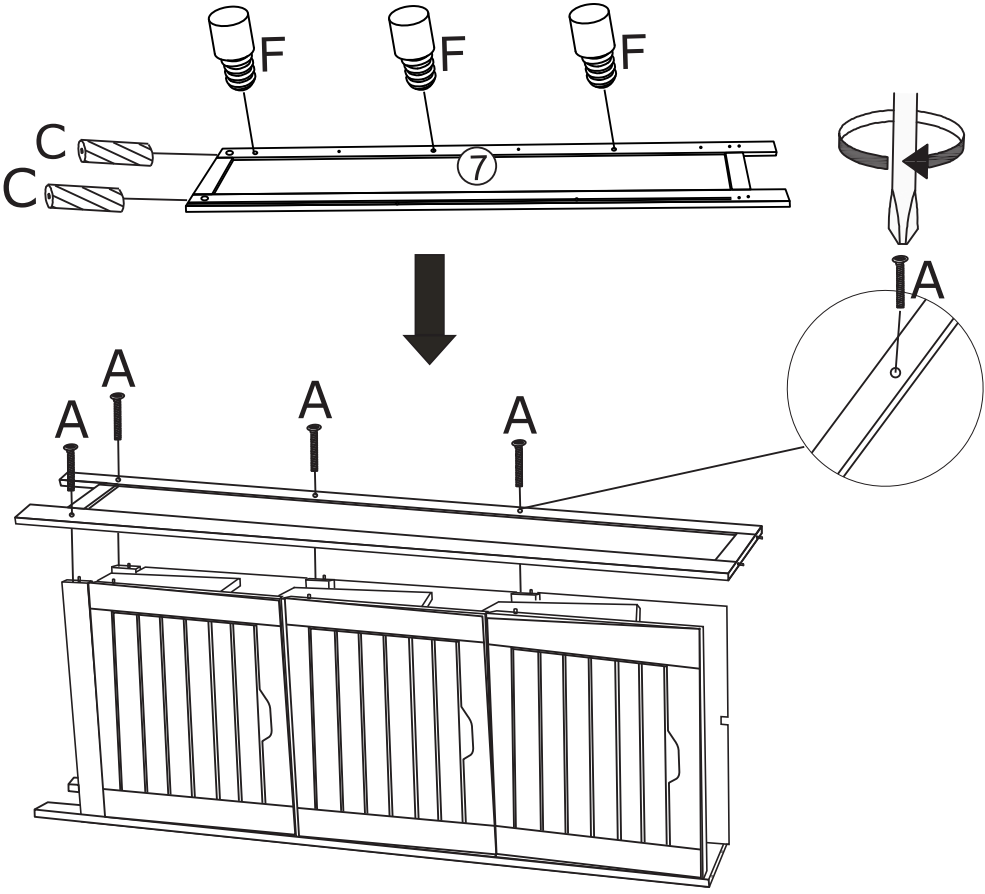
BERGEN THREE TIER SHOE CABINET ASSEMBLY INSTRUCTIONS

STEP 3	PARTS REQUIRED
<p>(i)</p> <p>(ii)</p>	<p>6: Left Side Panel x1 12: Support Panel x2 13: Support Panel x1 14: Support Panel x1</p> <p>A: Bolt x4 B: Barrel Nut x8 C: Dowel x4</p>

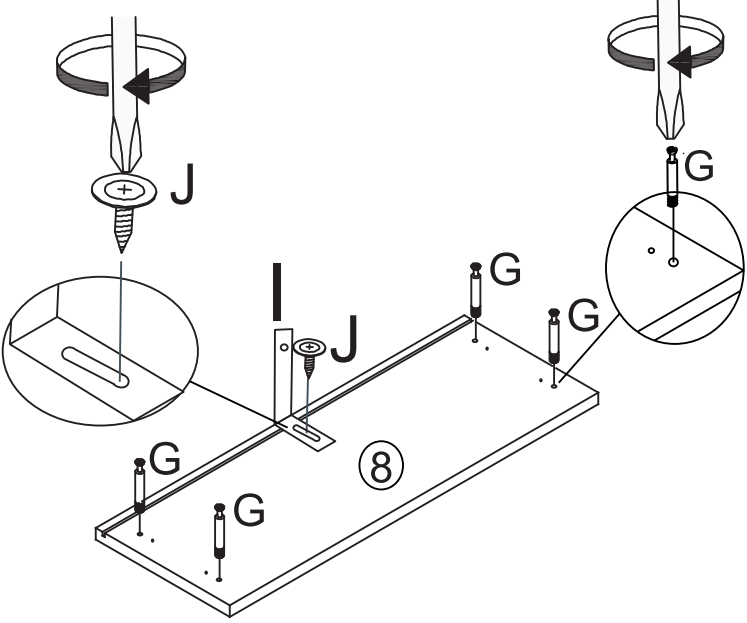
STEP 4	PARTS REQUIRED
	<p>9: Back Panel x1 10: Back Panel x1 11: Back Panel x1</p> <p>F: Door Stopper x3</p>

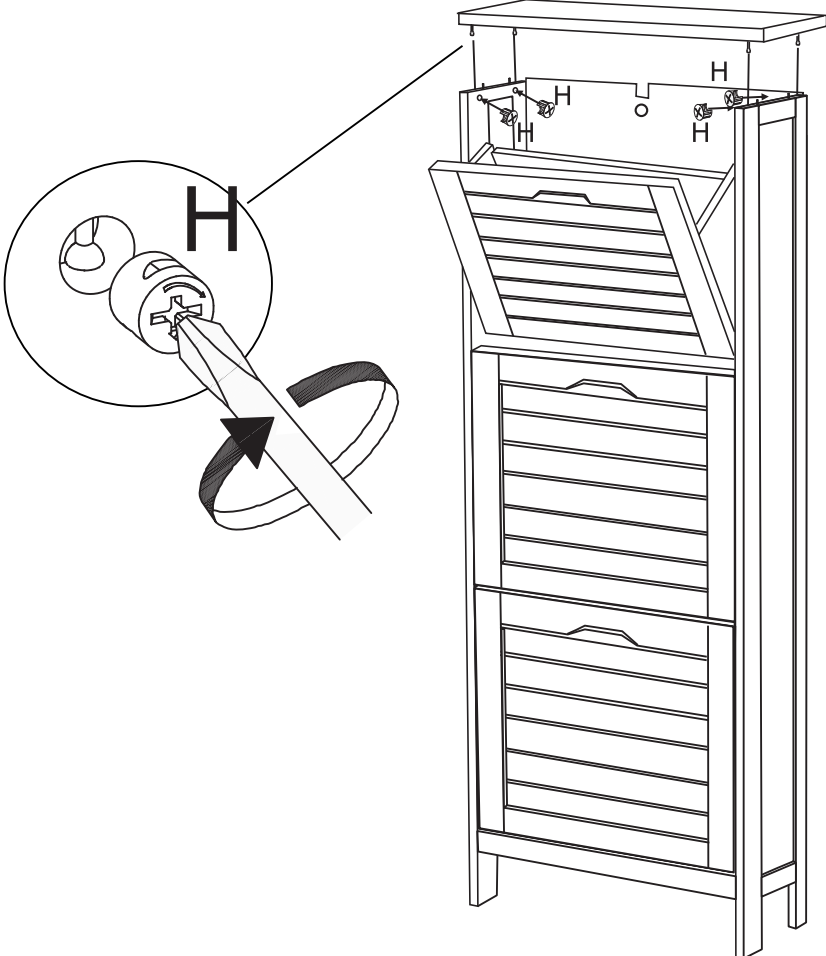
BERGEN THREE TIER SHOE CABINET ASSEMBLY INSTRUCTIONS

STEP 5	PARTS REQUIRED
	<p>C: Dowel x2</p>

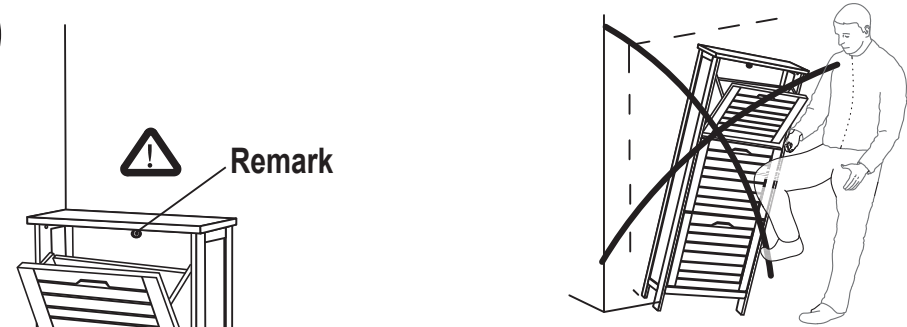
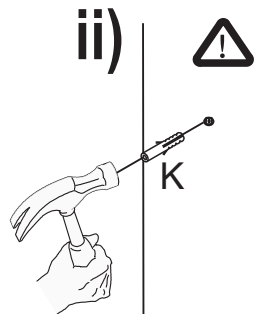
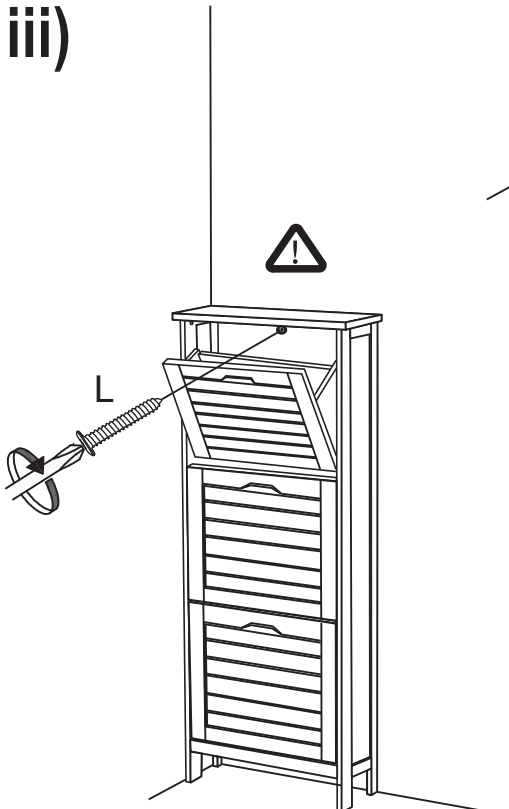
STEP 6	PARTS REQUIRED
	<p>7: Right Side Panel x1 A: Bolt x4 C: Dowel x2 F: Door Stopper x3</p>

BERGEN THREE TIER SHOE CABINET ASSEMBLY INSTRUCTIONS

STEP 7	PARTS REQUIRED
	<p>8: Top Panel x1</p> <p>G: Cam Bolt x4</p> <p>I: Wall Strap x1</p> <p>J: Screws x1</p>

STEP 8	PARTS REQUIRED
	<p>H: Cam Lock x4</p>

BERGEN THREE TIER SHOE CABINET ASSEMBLY INSTRUCTIONS

WALL STRAPS	PARTS REQUIRED
<p>i)</p>  <p>ii)</p>  <p>iii)</p> 	<p>K:WALL ANCHOR X1 L:SCREWS X1</p>

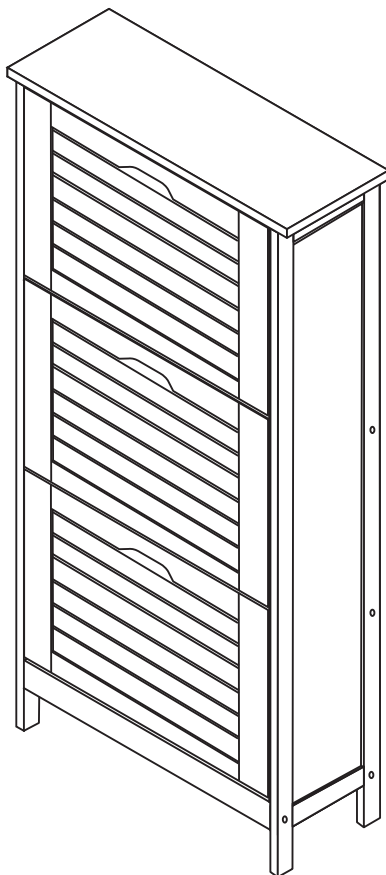
BERGEN THREE TIER SHOE CABINET ASSEMBLY INSTRUCTIONS

Complete Assembly

Your **BERGEN THREE TIER SHOE CABINET** is now completely assembled.

Periodically check to ensure that the components are in their proper position, free from damage.

Also, make sure the connectors are tight and secure.



Keep instructions for future reference

