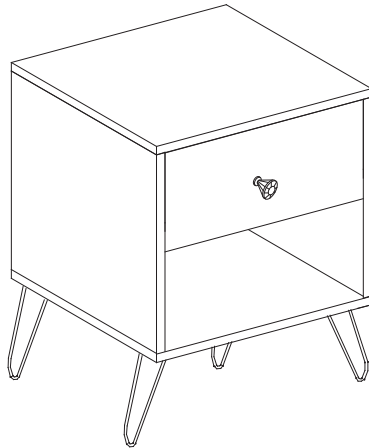


CASABLANCA 1 DRAWER LAMP TABLE

ASSEMBLY INSTRUCTIONS



IMPORTANT

PLEASE READ BEFORE YOU CONTINUE FURTHER

PLEASE KEEP THE ORIGINAL PACKAGING UNTIL THE ITEM IS FULLY ASSEMBLED AND IN PLACE . IN THE UNLIKELY EVENT THAT YOU NEED TO RETURN YOUR PRODUCT, IT MUST BE RETURNED IN ITS ORIGINAL PACKAGING TO AVOID FURTHER DAMAGE . FAILURE TO COMPLY TO THESE PROCEDURES, NO RETURN'S WILL BE ACCEPTED .

THE PRODUCT YOU HAVE PURCHASED WILL GIVE YOU MANY YEARS OF SERVICE IF YOU FOLLOW THE GUIDELINES FOR ITS SAFE ASSEMBLY AND PERIODIC MAINTENANCE AND CLEANING .

ASSEMBLE ON A SOFT CLEAN SURFACE .
KEEP OUT OF DIRECT SUNLIGHT, FAILURE TO DO SO COULD LEAD TO DISCOLOURATION ON YOUR PIECE OF FURNITURE
DO NOT USE ANY TOOLS OTHER THAN THOSE SHOWN .

ANY SPANNERS OR ALLEN KEYS REQUIRED ARE INCLUDED WITH FITTINGS KIT.
DO NOT FOR ANY REASON USE A POWER TOOL TO ASSEMBLE THIS PRODUCT.
ITS USE WILL INVALIDATE ANY CLAIM YOU MAY HAVE AND COULD MAKE THIS PRODUCT UNSAFE .

DEPENDING ON THE AMOUNT OF USE THIS PRODUCT RECEIVES IT MAY BE NECESSARY TO TIGHTEN UP THE FIXINGS FROM TIME TO TIME.THIS IS COMPLETELY NORMAL FOR ANY FLAT PACK FURNITURE .
DO NOT OVERTIGHTEN FIXINGS.

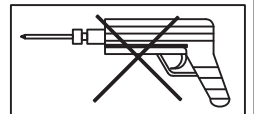
FOR CLEANING , YOU MAY USE A DAMP CLOTH (NOT WET) .
THE SURFACE TO THIS ITEM IS NOT HEAT RESISTANT . ALWAYS USE A PLACE MAT UNDER HOT OR COLD ITEMS TO PREVENT MARKING .

PLEASE DO NOT THROW AWAY ANY PACKAGING UNIT ALL COMPONENTS HAVE BEEN CHECKED.
IF COMPONENTS ARE MISSING PLEASE CONTACT SUPPLIER IMMEDIATELY .

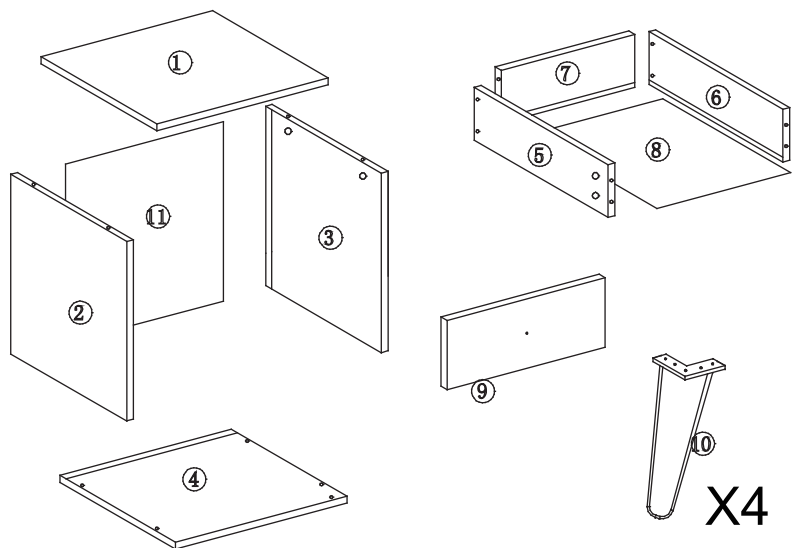
TWO PERSONS REQUIRED TO ASSEMBLE THIS PRODUCT

1. Please check that you have all the parts listed before you start assembling. If you do find that something is missing .do not continue assembly . Please contact your supplier immediately.
2. Lay out all of the components on a soft surface as if you were preparing to do a jigsaw puzzle.
3. Separate and identify each component,from the hardware pack and rest each one in its proper location before fastening.

THE USE OF POWER TOOLS TO ASSEMBLE THIS PRODUCT WILL INVALIDATE ANY CLAIM AND ANY DAMAGE THIS PRODUCT MAKING IT UNSAFE



PARTS LIST

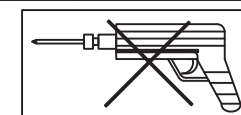


1	TOP PANEL	1PC
2	LEFT SIDE PANEL	1PC
3	RIGHT SIDE PANEL	1PC
4	BASE PANEL	1PC
5	DRAWER SIDE BOARD	1PC
6	DRAWER SIDE BOARD	1PC
7	DRAWER BACK BOARD	1PC
8	DRAWER BOTTOM BOARD	1PC
9	DRAWER FRONT BOARD	1PC
10	METAL LEG	4PCS
11	BACK PANEL	1PC

HARDWARE LIST

P1		MALE CAMLOCK	8PCS
P2		FEMALE CAMLOCK	8PCS
P3		HEXAGON KEY	1PC
P4		SCREW M4X35mm	4PCS
P5		SCREW M4X18mm	1PC
P6		SCREW M6X12mm	20PCS
P7		HANDLE	1PC
P8		SCREW M5X40mm	4PCS
P9		SCREW M3.5X12mm	12PCS
P10		DRAWER RUNNER	1SET

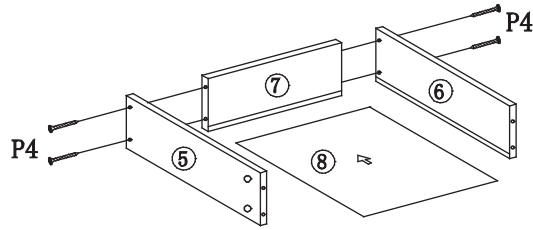
THE USE OF POWER TOOLS TO ASSEMBLE THIS PRODUCT WILL INVALIDATE ANY CLAIM AND ANY DAMAGE THIS PRODUCT MAKING IT UNSAFE



STEP 1



You will need:

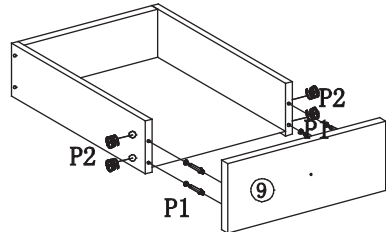
P4	 M4X35mm	4PCS
----	---	------



STEP 2





You will need:

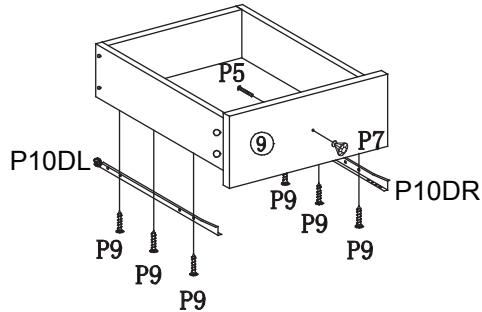
P1		4PCS
P2		4PCS



STEP 3



You will need:

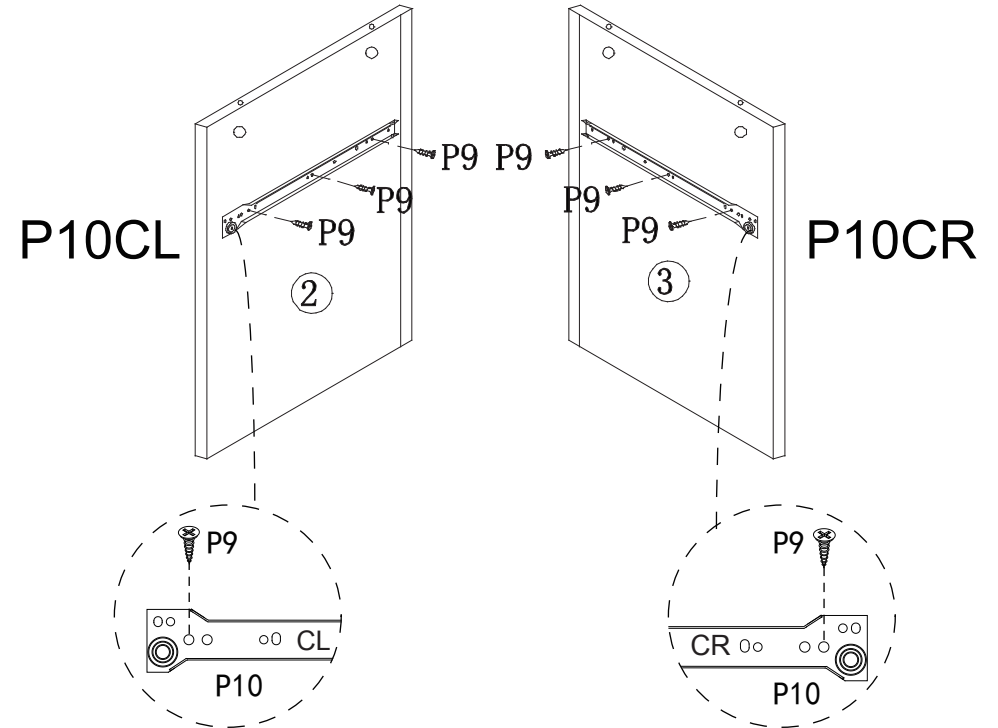
P5	 M4X18mm	1PC
P7		1PC
P9	 M3.5X12mm	6PCS
P10	 DL DR	1SET



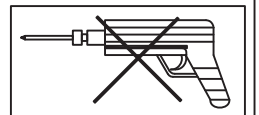
STEP 4

You will need:

P9	 M3.5X12mm	6PCS
P10	 CL CR	1SET

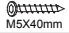



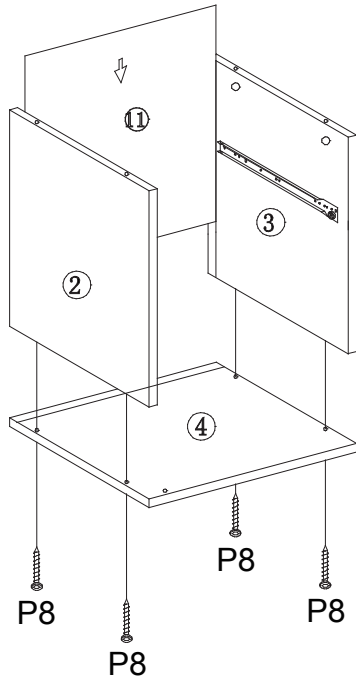
THE USE OF POWER TOOLS TO ASSEMBLE THIS PRODUCT WILL INVALIDATE ANY CLAIM AND ANY DAMAGE THIS PRODUCT MAKING IT UNSAFE



STEP 5



You will need:

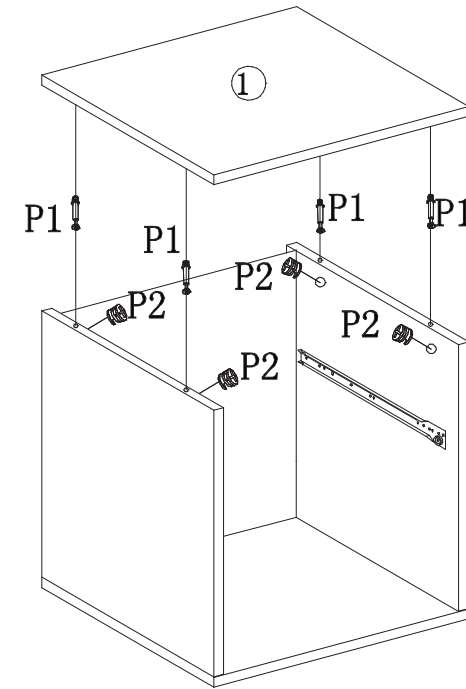
P8	 MSX40mm	4PCS
P3		1PC



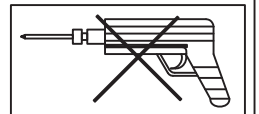
STEP 6

You will need:

P1		4PCS
P2		4PCS





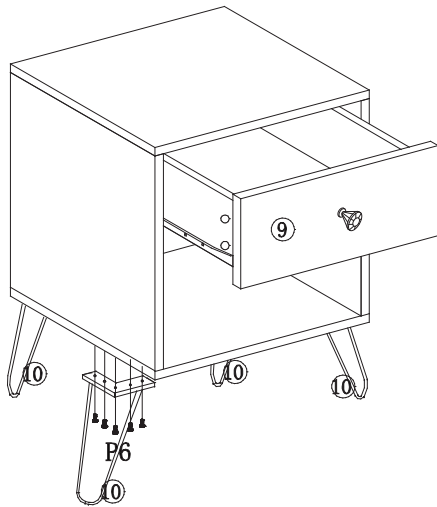
THE USE OF POWER TOOLS TO ASSEMBLE THIS PRODUCT WILL INVALIDATE ANY CLAIM AND ANY DAMAGE THIS PRODUCT MAKING IT UNSAFE



STEP 7

You will need:

P6	 M6X12mm	20PCS
P3		1PC



STEP 8



THE USE OF POWER TOOLS TO ASSEMBLE THIS PRODUCT WILL INVALIDATE ANY CLAIM AND ANY DAMAGE THIS PRODUCT MAKING IT UNSAFE

