



ASSEMBLY INSTRUCTIONS **URBAN STUDY DESK**

IMPORTANT : READ THESE INSTRUCTIONS CAREFULLY BEFORE ATTEMPTING TO ASSEMBLE OR USE YOUR URBAN STUDY DESK.

PLEASE KEEP THESE INSTRUCTIONS FOR FUTURE REFERENCE.

ASSEMBLY:

Assembly should be carried out with this item laying flat, not standing upright.

Assemble on a soft, clean surface to prevent damages.

To erase the numbers printed on the pieces, use the rubber into the accessories pack.

HEALTH & SAFETY:

DO NOT use this study desk if any parts are missing, damaged or worn.

DO NOT use this study desk unless all fixings are secured.

Always use on a level, even surface.

CARE & MAINTENANCE:

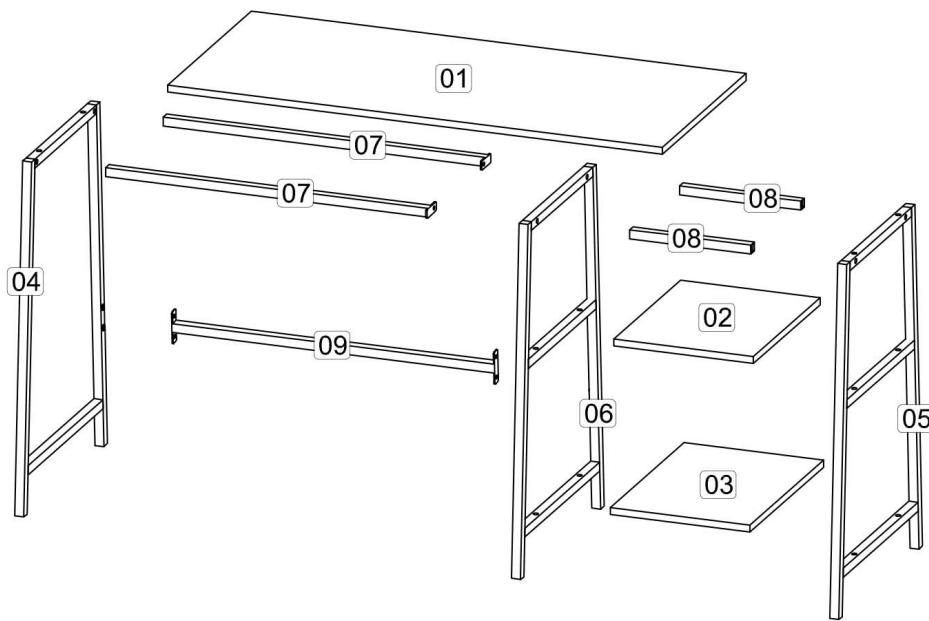
Periodically check all screws & fixings to ensure they are secure.

DO NOT push the study desk as this will cause damage.

Always lift the study desk with two people to repositions.

Keep any sharp objects away from the study desk.





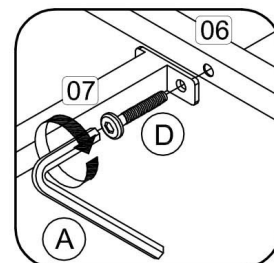
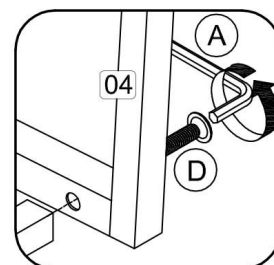
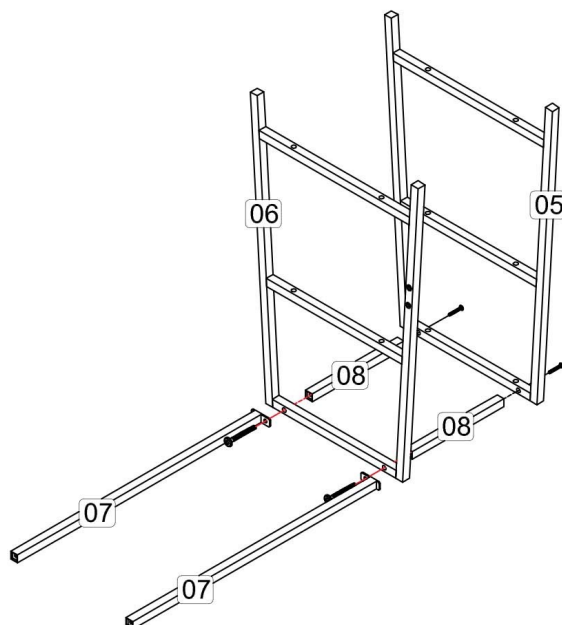
Parts List			Hardware List		
Part	Description	Qty	Part	Description	Qty
01	Top panel	1	A	Allen key M4	1
02	Middle panel	1	B	JCBC screw M6 x 18mm	4
03	Bottom panel	1	C	JCBC screw M6 x 30mm	12
04	Metal Side (Left)	1	D	JCBC screw M6 x 40mm	6
05	Metal Side (Right)	1	E	M3.5 x 16mm C.B Screw	2
06	Metal Center	1	F	M4 x 38mm C.B Screw	2
07	Metal Top (Left)	2	G	8" x 1" PP tape	2
08	Metal Top (Right)	2	H	Wall plug	2
09	Metal Bottom	1			

**** You will need a small mallet and a screwdriver for assembly.**

**** Some screws and wooden dowel may remain.**

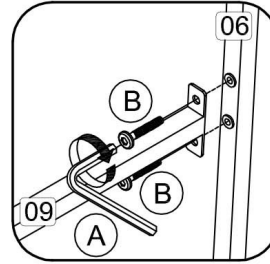
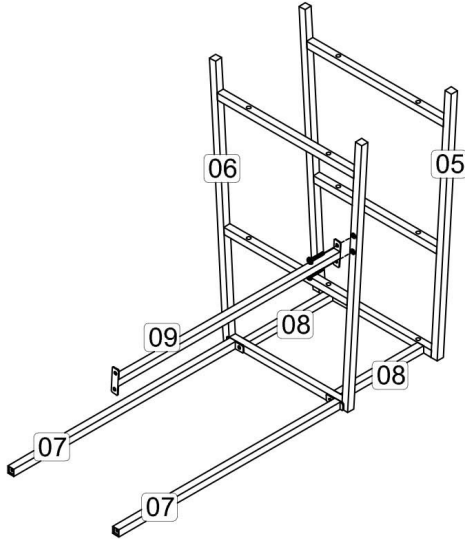
Step 1: Attach the Metal Top Right (8) to Metal Side Right (5) using hardware A and D.
Attach the Metal Top Left (7) to Metal Center (6) using hardware A and D.

DO NOT use any power tools as this may damage the frame and will invalidate any claim.



Step 2: Attach the Metal Bottom (9) to Metal Center (6) using hardware A and B.

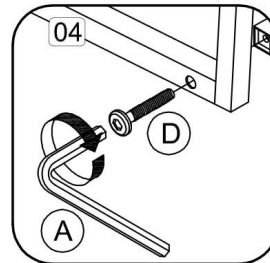
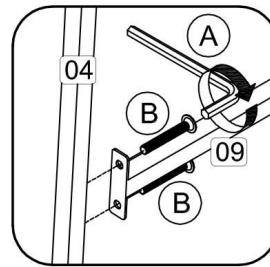
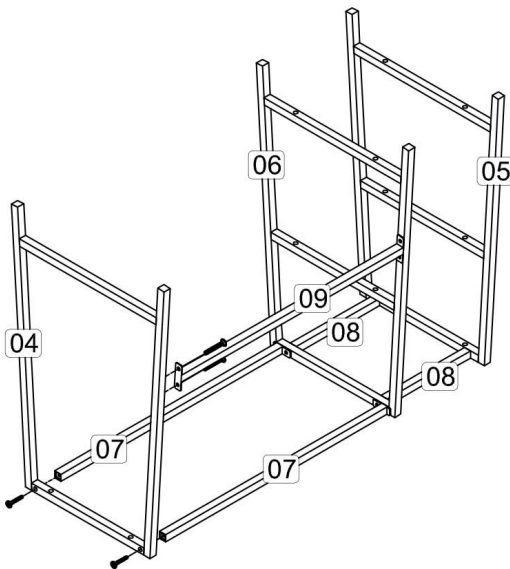
DO NOT use any power tools as this may damage the frame and will invalidate any claim.



Step 3: Attach the Metal Bottom (9) to Metal Side Left (4) using hardware A and B.

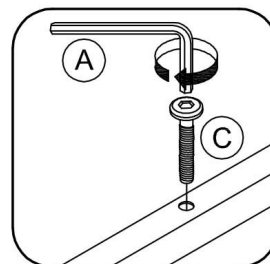
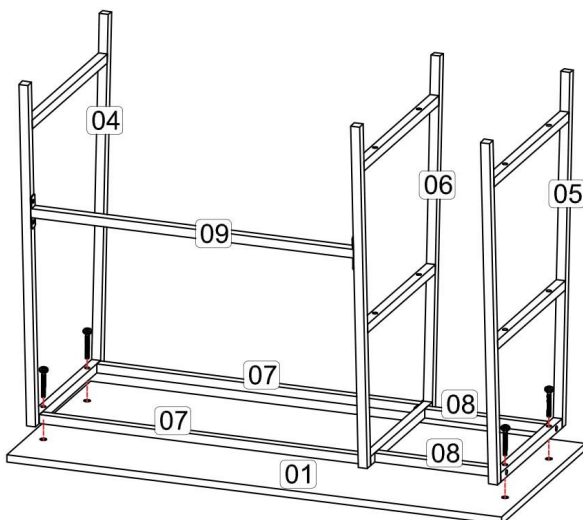
Attach the Metal Top Left (7) to Metal Side Left (4) using hardware A and D.

DO NOT use any power tools as this may damage the frame and will invalidate any claim.

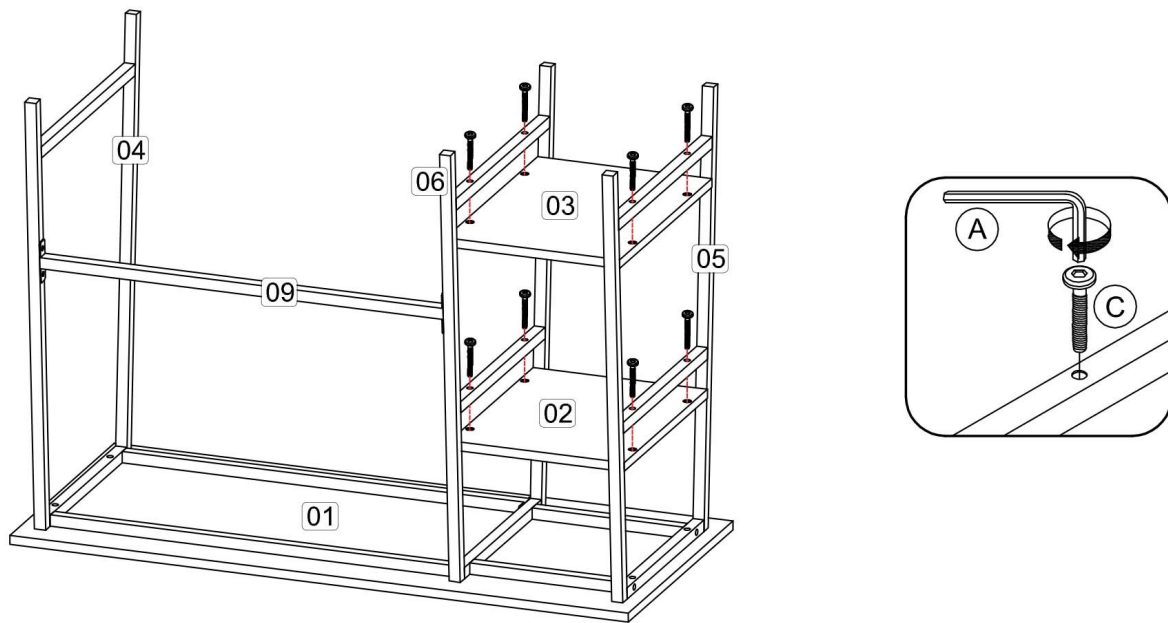


Step 4: Attach the Metal Side Left (4) and Metal Side Right (5) to panel (1) using hardware A and C.

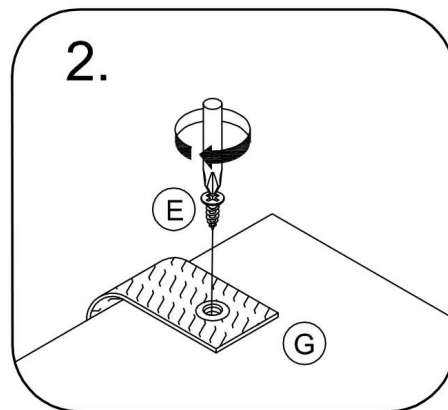
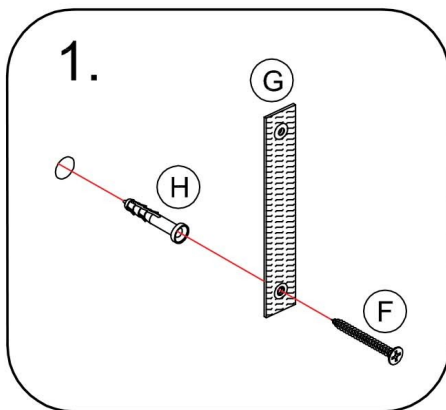
DO NOT use any power tools as this may damage the frame and will invalidate any claim.



Step 5: Attach the Metal Side Right (5) and Metal Center (6) to panel (2) using hardware A and C.
Attach the Metal Side Right (5) and Metal Center (6) to panel (3) using hardware A and C.
DO NOT use any power tools as this may damage the frame and will invalidate any claim.



Step 6: To secure the item to the wall use hardware F, G and H using a screwdriver (not provided). Then attach hardware part G to the panel (1) using hardware E with a screwdriver (not provided).
DO NOT use any power tools as this may damage the frame and will invalidate any claim.
Birlea Furniture advise you use the wall straps provided to further enhance the safety of this product.



Additional Information:

- For complete product information, images and dimension diagrams please visit the website www.birlea.com
- If you have any issues with your item please contact the retailer directly you purchased it from who will be able to resolve any issues with Birlea.
- Why don't you send us photos of your assembled furniture to info@birlea.com to be shared in our #birleahome feature on instagram.



Birlea

Suppliers of inspiration