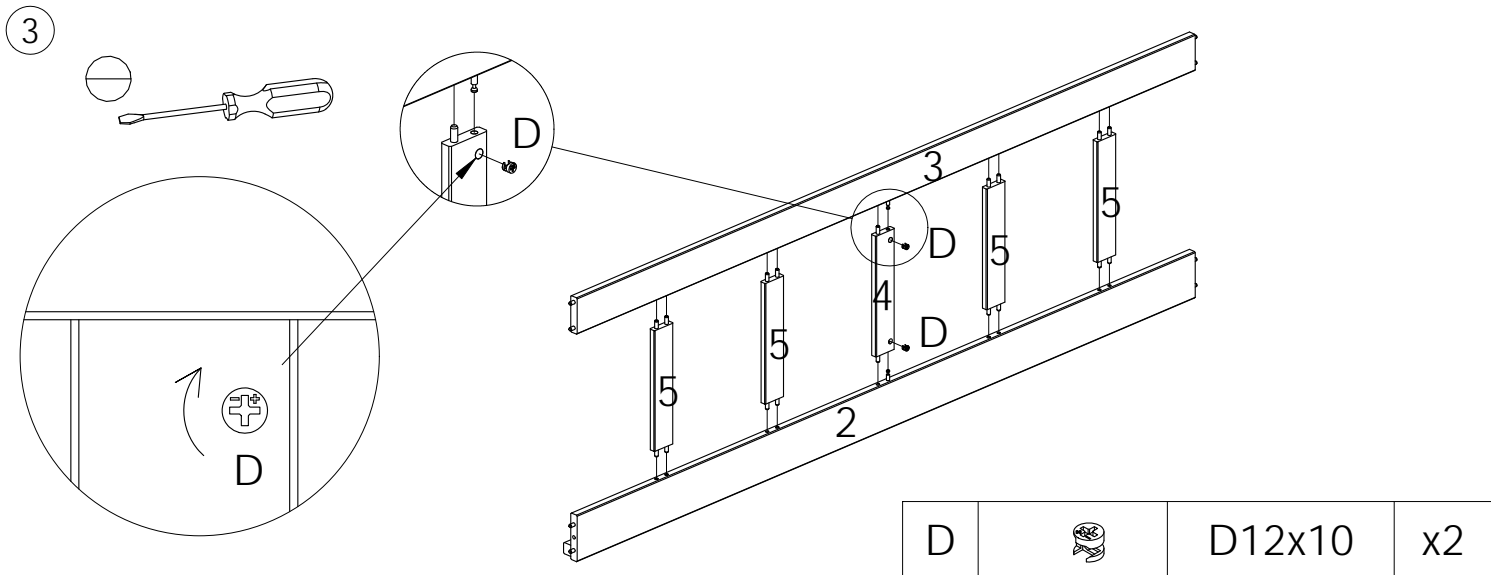
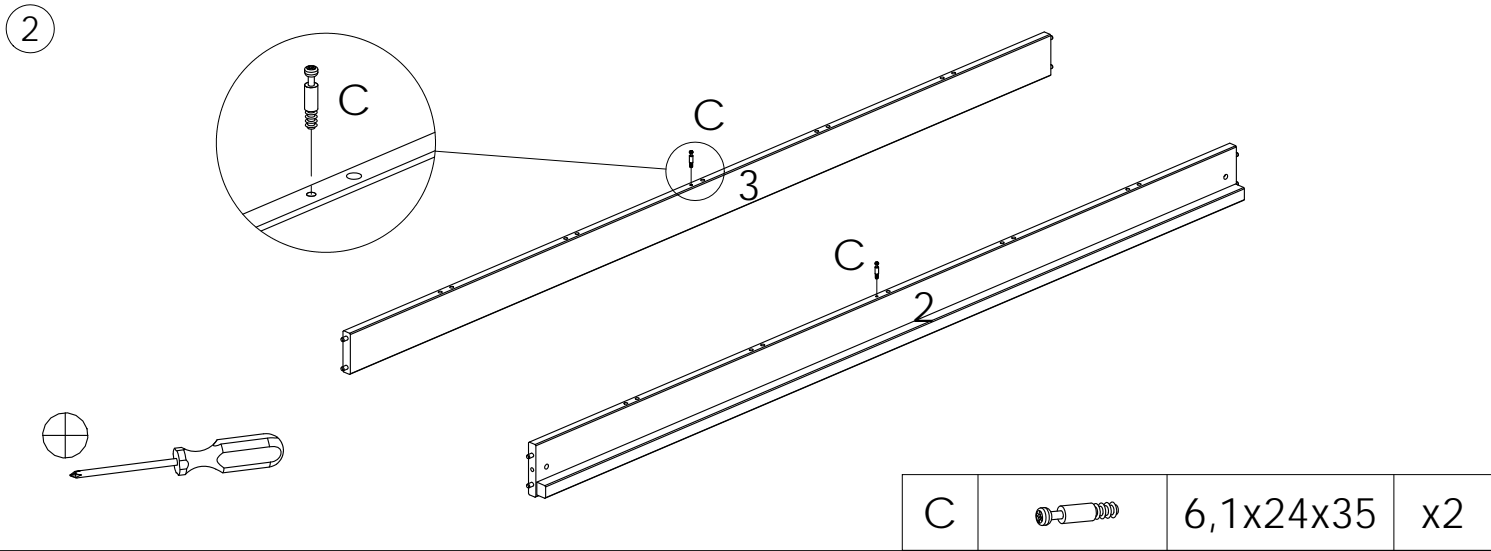
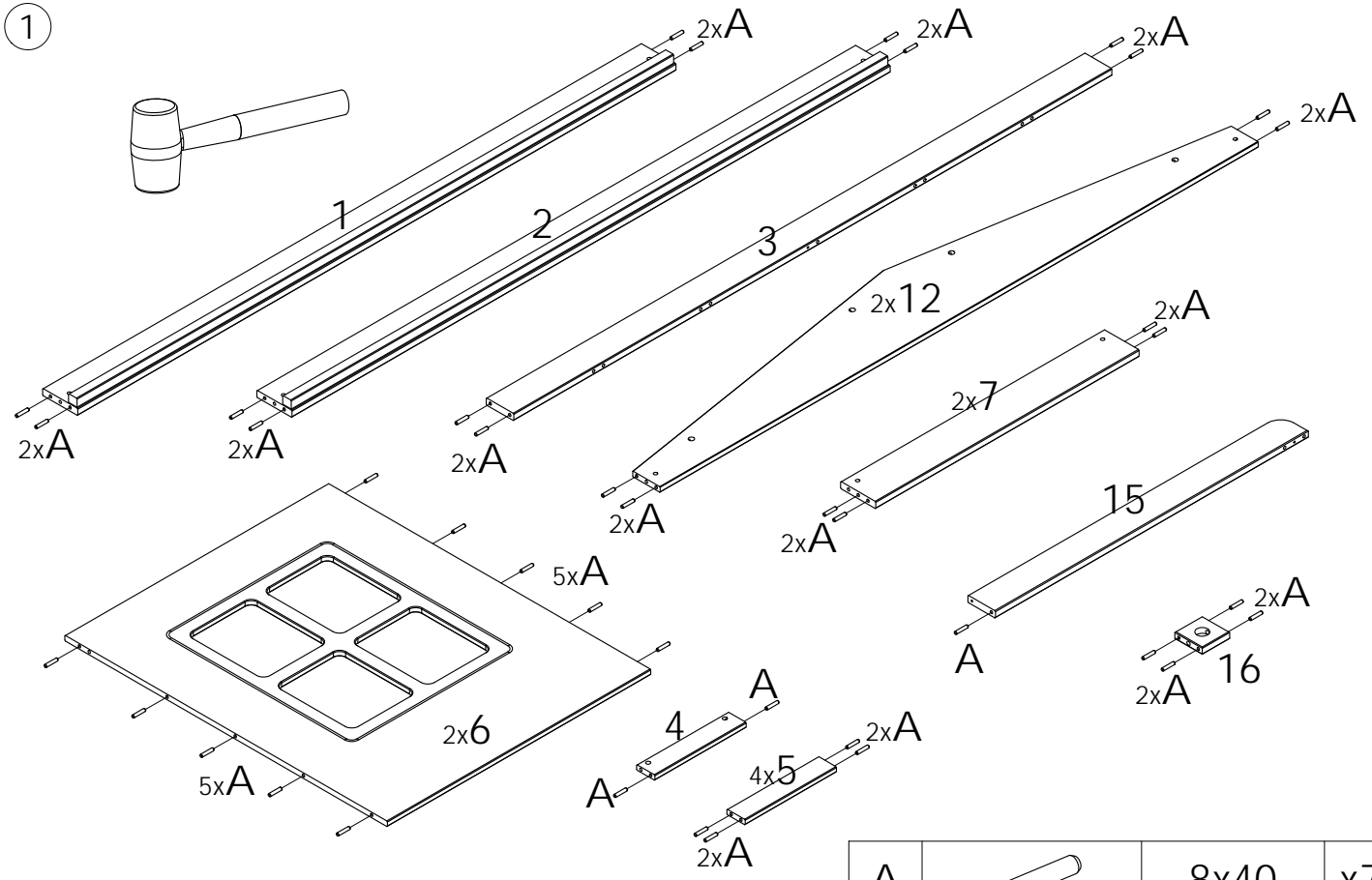
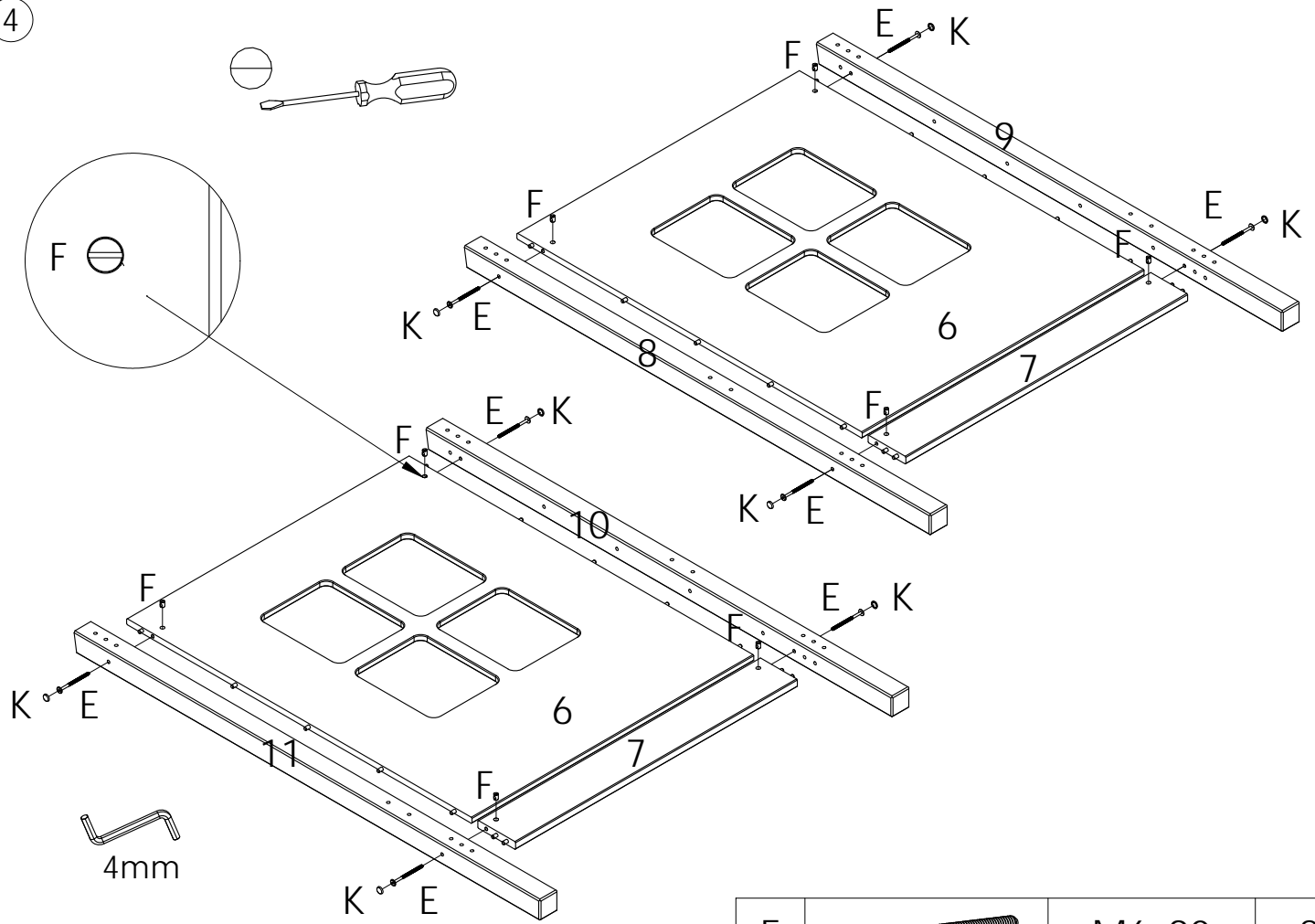




A		8x40	x71
B		8x30	x12
C		6,1x24x35	x2
D		D12x10	x2
E		M6x90	x16
F		M6x10x13	x16
G		7x34	x8
H		D15x12	x8
J		3,5x40	x6


K		D15x18	17
L		GLUE	x1
M		4mm	x1
N		7x60	2
Q		D35	2
P		D35	1
R		6.3x90	1
S		D8x13	8
T		D5x8	1



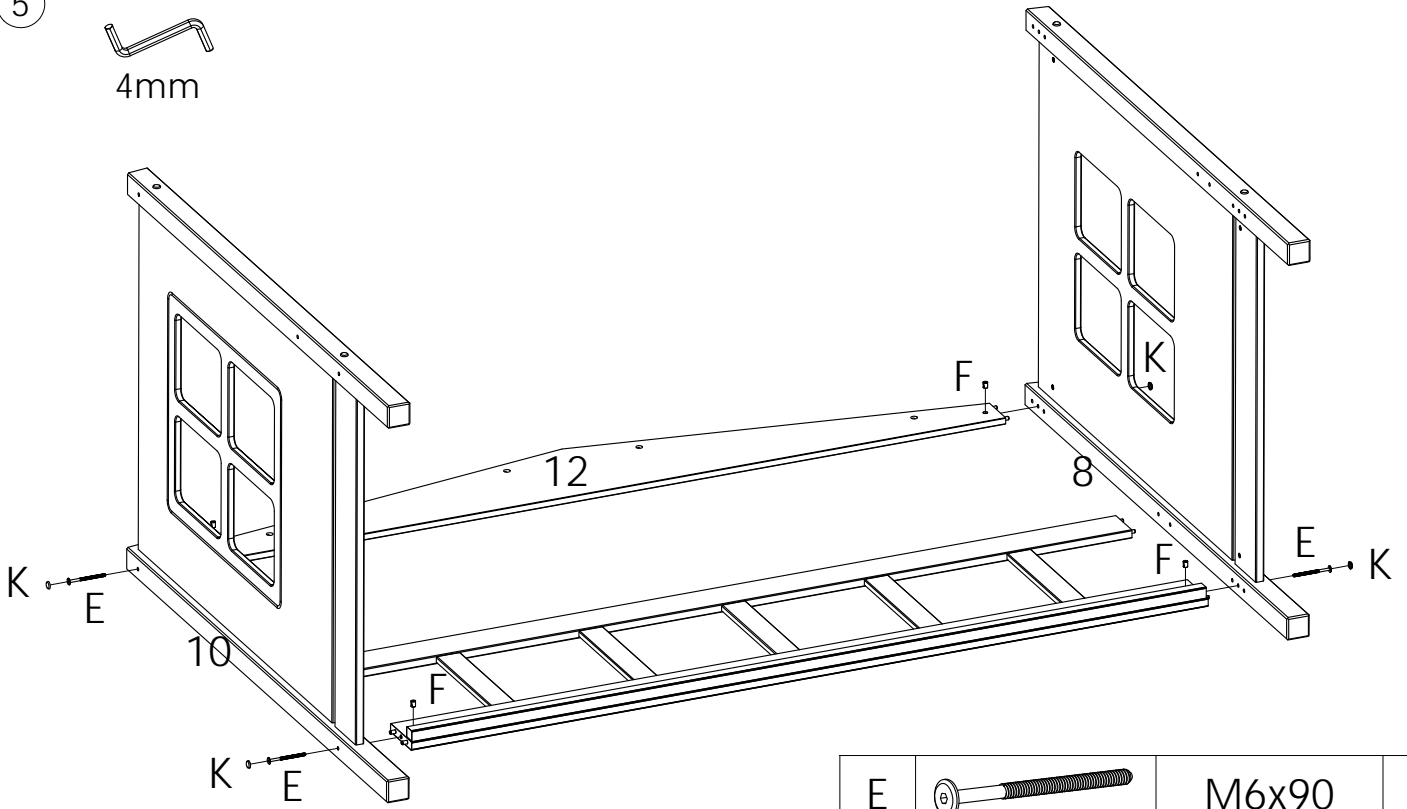
4






E		M6x90	x8
F		M6x10x13	x8

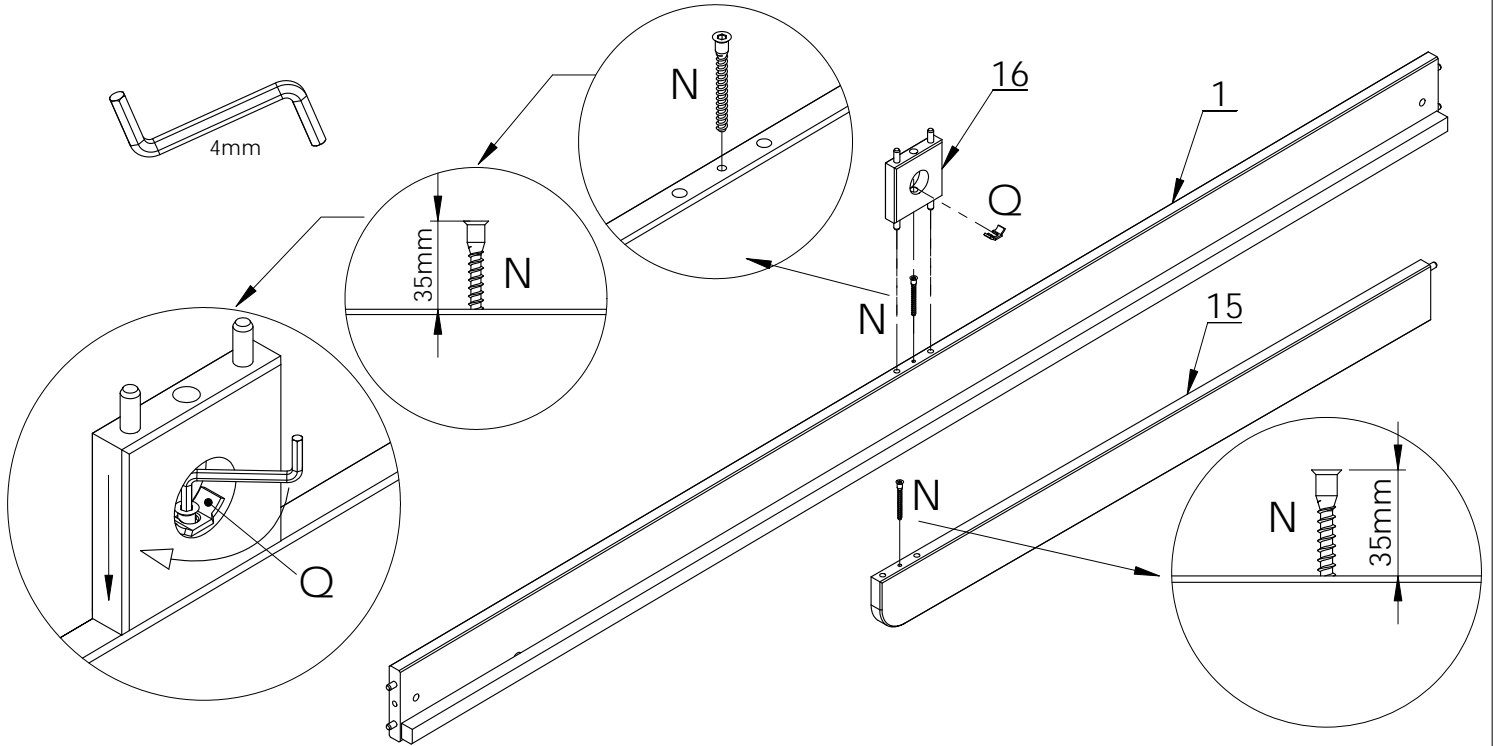
K		D15x18	x8
---	---	--------	----



5

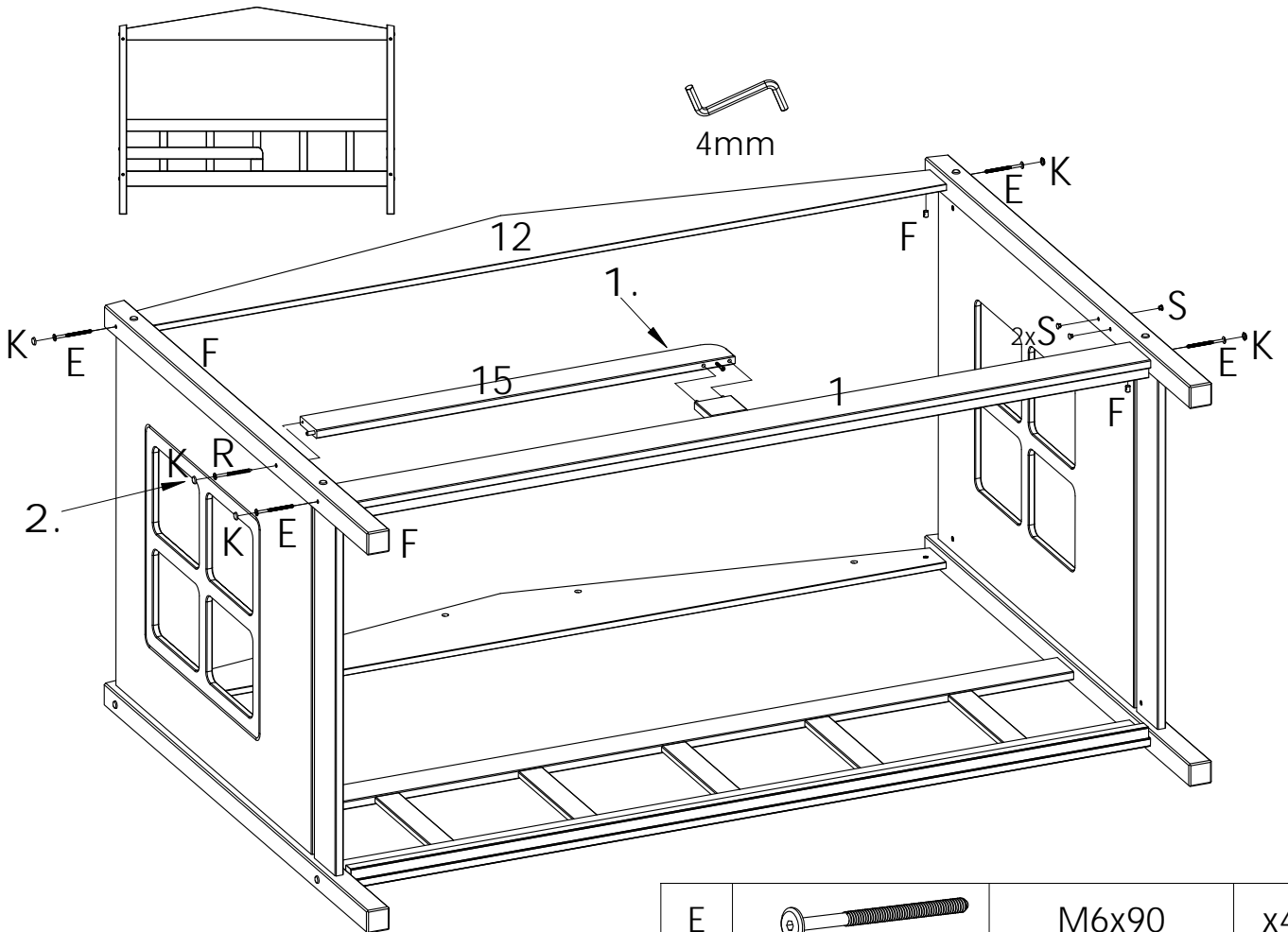



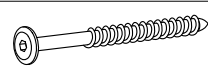
E		M6x90	x4
F		M6x10x13	x4




K		D15x18	x4
---	---	--------	----



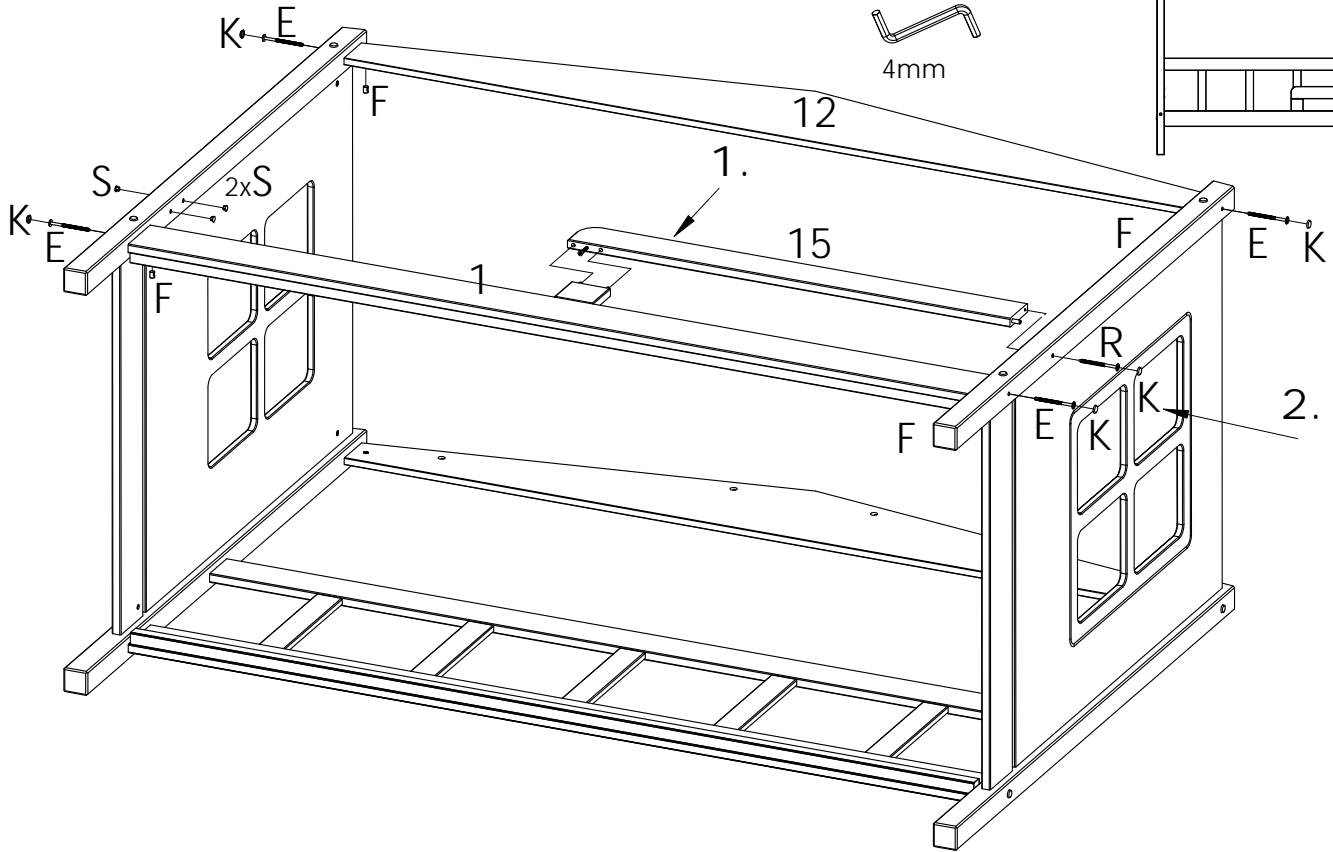
N		7x60	2
Q		D35	1

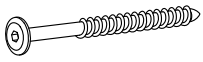






K		D15x18	x5
R		6.3x90	x1

E		M6x90	x4
F		M6x10x13	x4
S		D8x13	x3

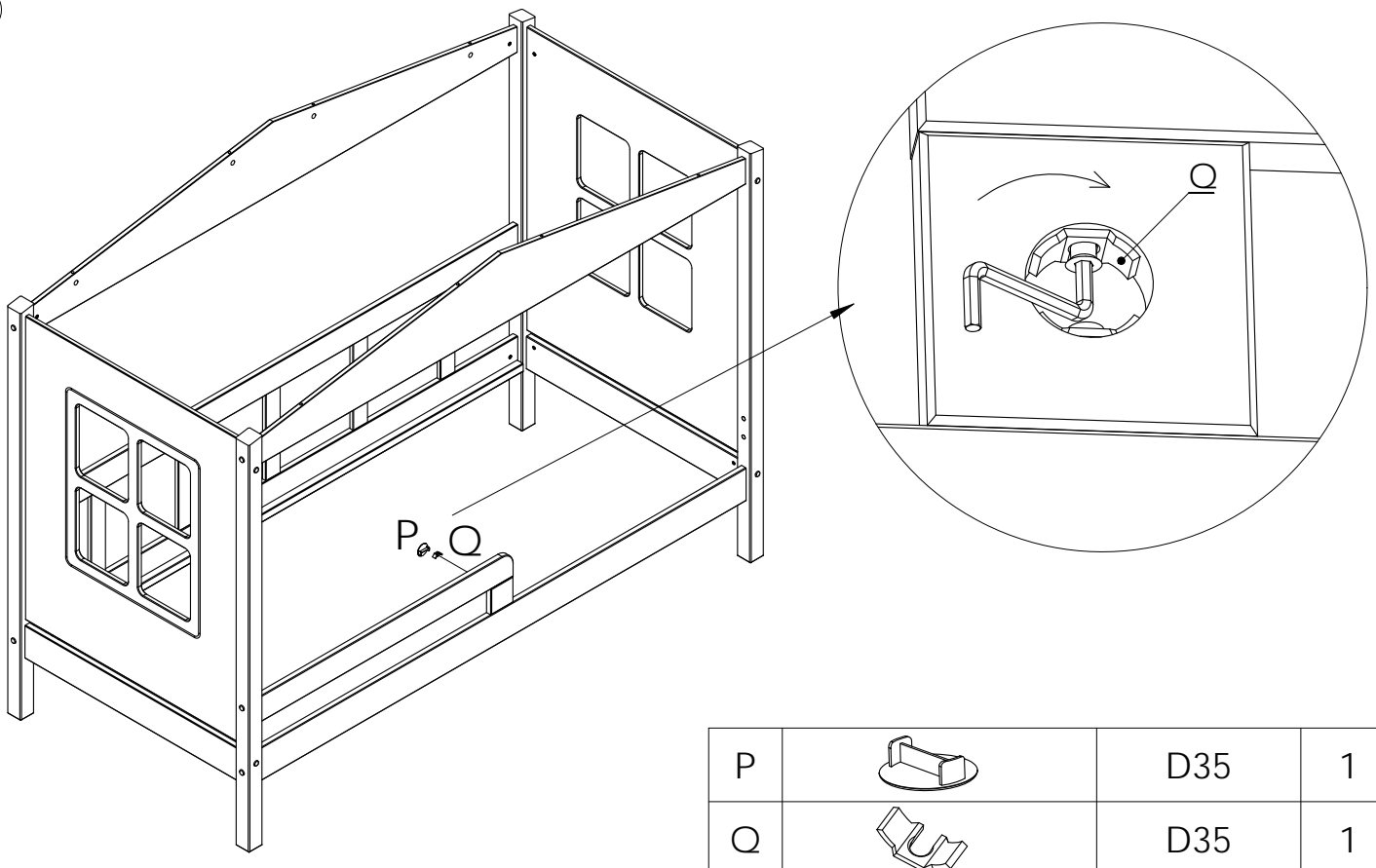
7b

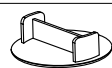



R		6.3x90	x1
K		D15x18	x5

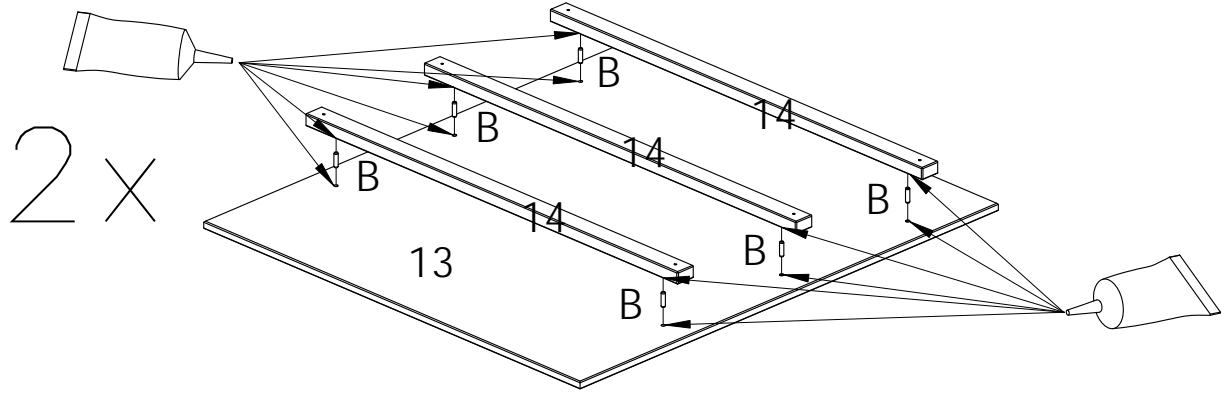
E		M6x90	x4
F		M6x10x13	x4
S		D8x13	x3

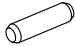
8



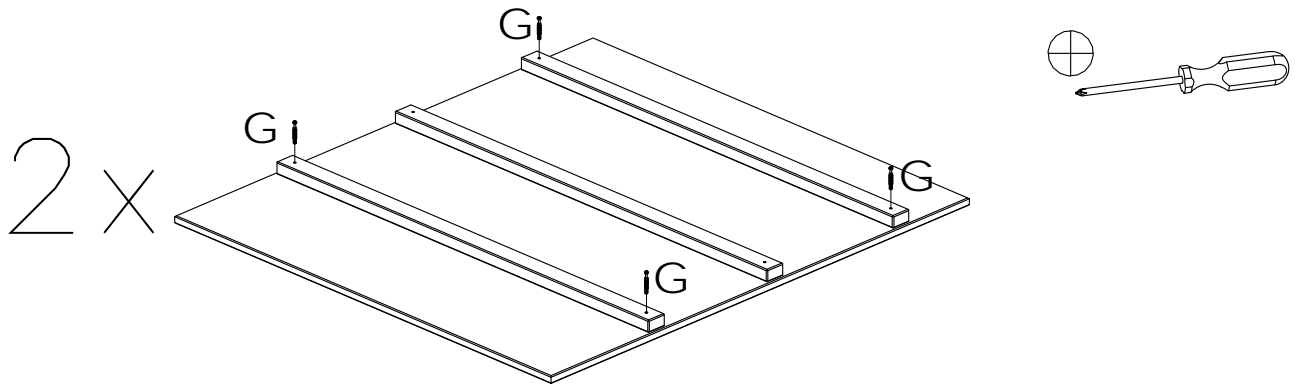
P		D35	1
Q		D35	1


9



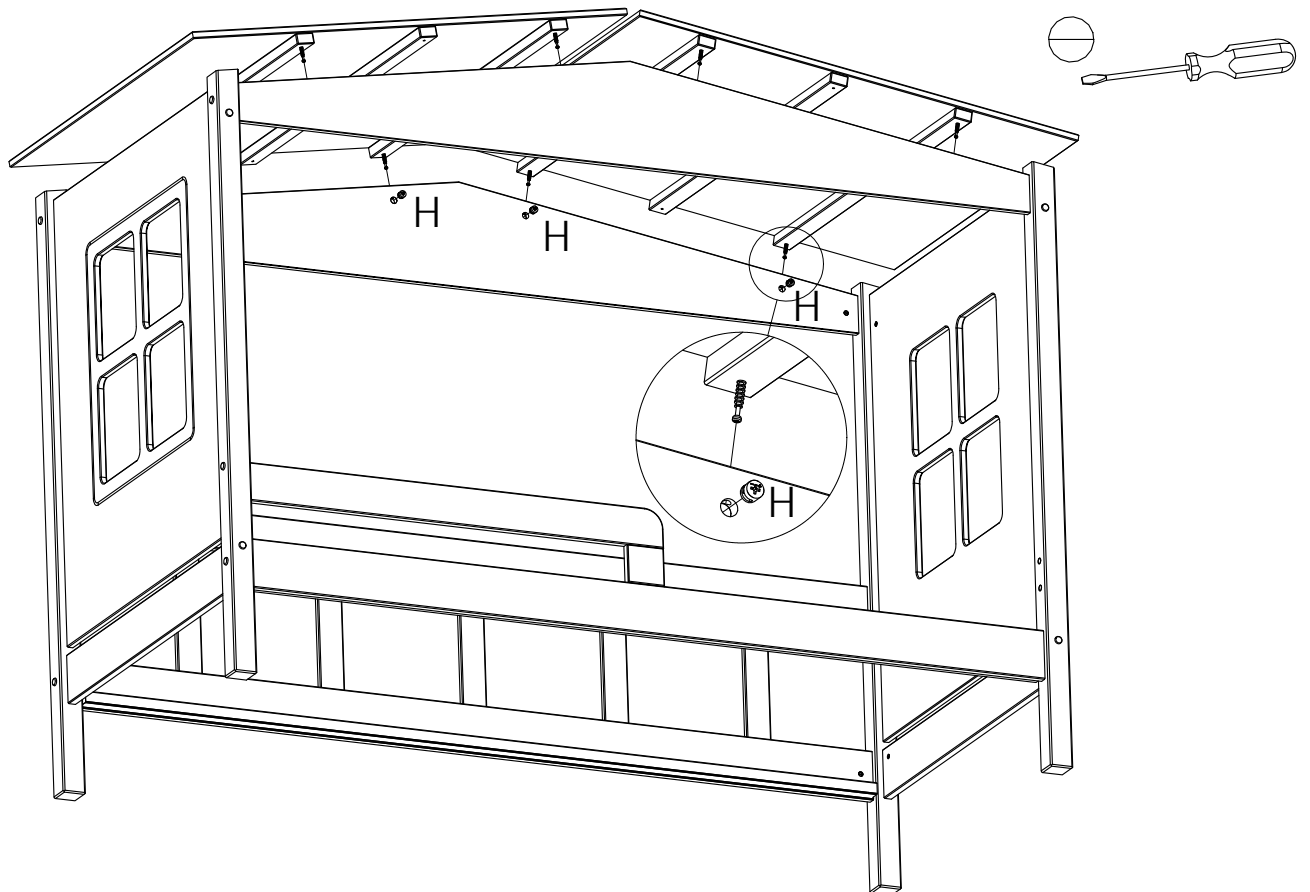
B		8x30	x12
---	---	------	-----


10



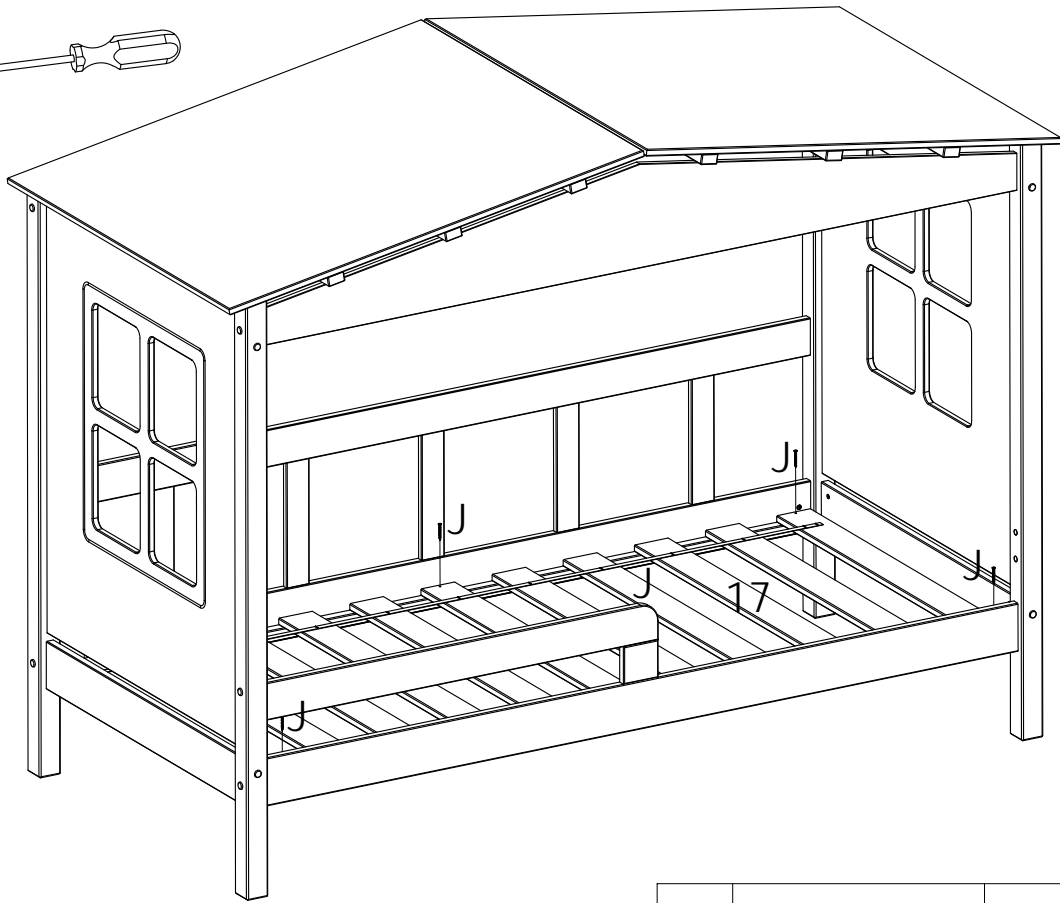
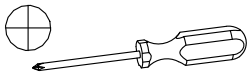
G		D15x12	x8
---	---	--------	----

11



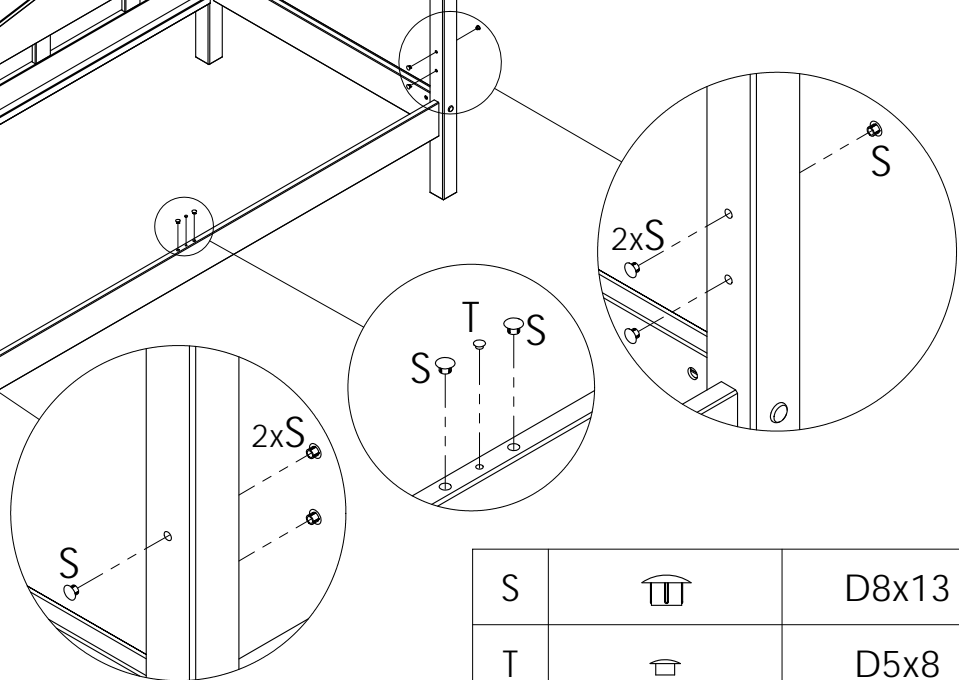
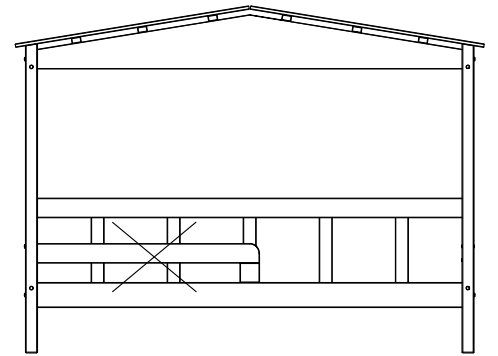
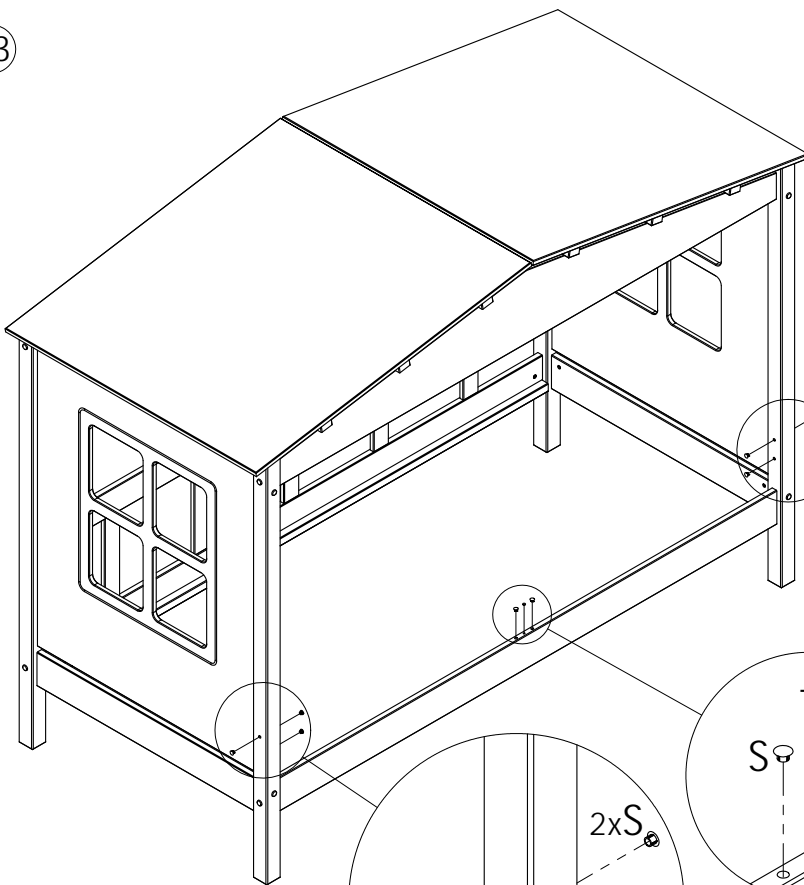
H		D15x12	x8
---	---	--------	----

12



J		3,5x40	x6
---	--	--------	----

13



S		D8x13	8
T		D5x8	1