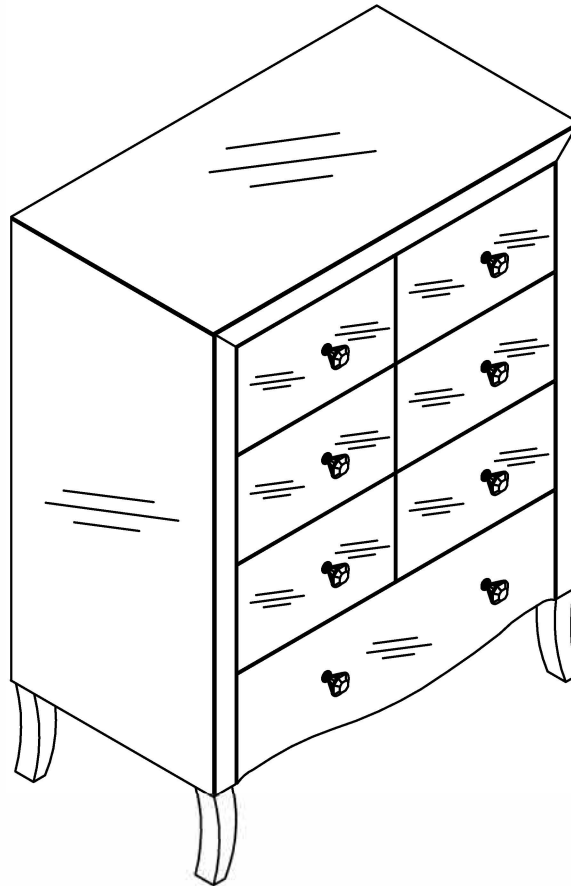


# VALENTINA 7 DRAWER CHEST








Assembly Instructions - Please keep for future reference



Dimensions	No. people	Assembly Time
Width: 61.5cm Depth: 34.0cm Height: 80.5cm		20 Minutes (approx.)

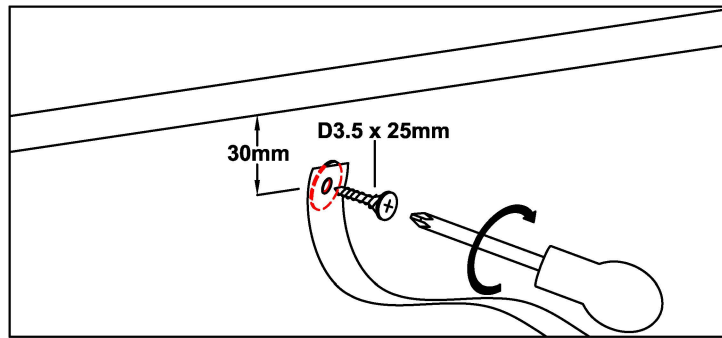
“ SHOULD IT BE NECESSARY TO RETURN THIS PRODUCT FOR ANY REASON,  
IT MUST BE RETURNED IN ITS ORIGINAL PACKAGING”

## Important: Read carefully

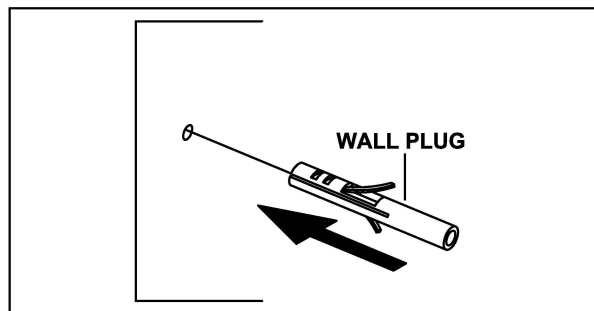
-  Please check you have all parts listed on your assembly sheet. In the unlikely event that any parts are missing, please contact your retailer immediately.
-  Do not use any other tools than those listed on your assembly sheet / tools provided.  
Use of power tools could damage your product and returns would not be accepted back in these circumstances.  
Use of power tools could also make your product unsafe due to overtightening.
-  Depending on the amount of use your product receives, it may be necessary to tighten the fixings from time to time.
-  Assemble your product on a soft surface to avoid scratching and also preferably in the room intended for use to avoid having to move the product unnecessarily once assembled
-  For cleaning please use a clean damp cloth or duster. Use of abrasive or chemical cleaners will most likely scratch or damage the surface of your product. We do not accept returns for damages arising from incorrect care of products
-  Please keep the original packing until your item is fully assembled and in place. In the unlikely event you need to return your product. It must be returned back in its original packing to avoid any damage.
-  The surface of this item is not heat resistant. Please use a mat under hot, cold or wet items to prevent marking.

# FITTING OF ANTI-TIP SAFETY STRAP

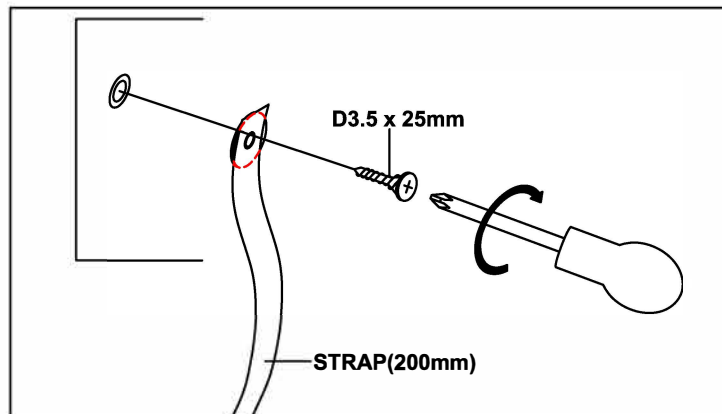
**STEP 1:**  
Pull the screw in the hole 30mm below the top panel of your furniture



**STEP 2:**  
Make a hole on the wall and pull the wall plug in



**STEP 3:**  
Pull the screw in the wall plug hole



**NOTE :** Wall fixing are not supplied with this product as different wall materials require different types of fixing devices (such as Rawl plugs on brick work). You must use fixing devices suitable for the type of wall you intend to mount this product to. Please ensure that the head of any screw used has a diameter greater than the diameter of the mounting hole on the product and that the fixing is safe and secure before use.

The straps and screws which to fix the strap on to the furniture are provided only.

## HARDWARE LIST



**STRAP(200mm)-1Pc**



**D3.5 x 25mm-2Pc**